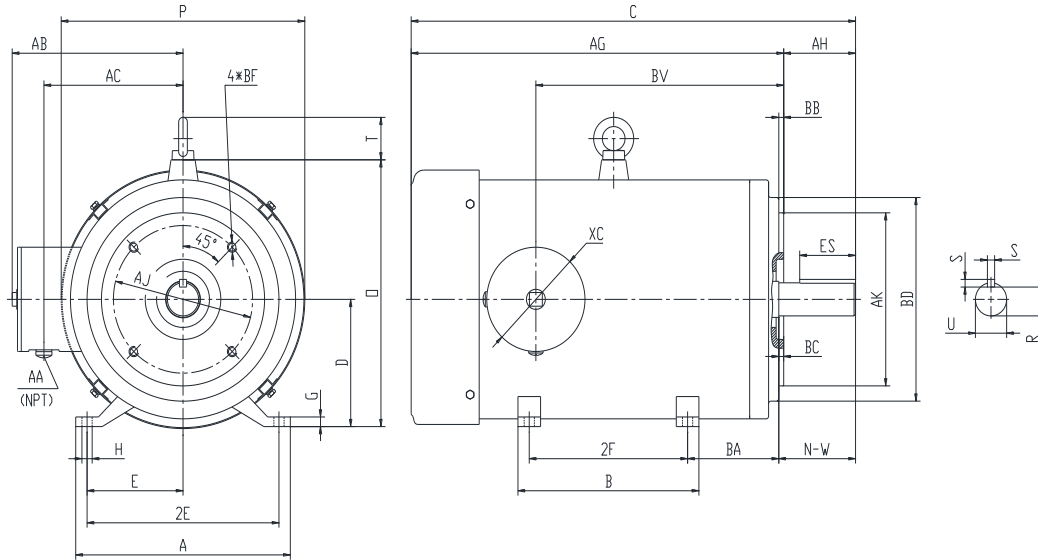




## PESS254TC7.5M-4-B

**WASHDOWN DUTY MOTOR WITH ENCAPSULATION**  
**NEMA PREMIUM EFFICIENCY**  
**STAINLESS STEEL CONSTRUCTION - C-FLANGE WITH FEET**  
**TOTALLY ENCLOSED FAN COOLED - IP66 CONSTRUCTION**  
**INVERTER DUTY 10:1 CT; 20:1 VT - NEMA MG1 PART 31**



### DIMENSIONS

HP	RPM	Frame	MOUNTING															
			A	B	C	D	G	H	E	2E	2F1	2F2	O	P	T	AG	BA	
7.5	1200	254TC	0	0	0	0	0	0	0	0	0	0	0	0	0	0	0	0

FLANGE						Shaft Extension, Key Set					Conduit Box			
AH	AJ	AK	BB	BC	BF	U	R	S	ES	N-W	AA	AB	AC	BV
0	0	0	0	0	0	0	0	0	0	0	0	0	0	0

Bearings		Mount
DE	ODE	
0	0	0

**BEARING LUBRICATION:** The bearings come lubricated with Mobil Polyrex EM Polyurea Grease.





## PESS254TC7.5M-4-B

**WASHDOWN DUTY MOTOR WITH ENCAPSULATION**  
**NEMA PREMIUM EFFICIENCY**  
**STAINLESS STEEL CONSTRUCTION - C-FLANGE WITH FEET**  
**TOTALLY ENCLOSED FAN COOLED - IP66 CONSTRUCTION**  
**INVERTER DUTY 10:1 CT; 20:1 VT - NEMA MG1 PART 31**

### PERFORMANCE DATA

HP	RPM	Frame	Voltage	Frequency (Hz)	Full Load S.F.	Insulation Class	NEMA Design	Slip (%)	NEMA Code	Enclosure Type	IP Rating	Max. Ambient
7.5	#N/A	254TC	#N/A	#N/A	#N/A	#N/A	#N/A	#N/A	#N/A	#N/A	#N/A	#N/A

Amps (460V)		Efficiency (%)			Power Factor			Torque (ft-lb)			DE Bearing	ODE Bearing	Connection	Weight (lbs.)
FLA	LRA	100%	75%	50%	100%	75%	50%	FLT	LRT %	BDT %				
#N/A	#N/A	#N/A	#N/A	#N/A	#N/A	#N/A	#N/A	#N/A	#N/A	#N/A	#N/A	#N/A	#N/A	#N/A

### NAME PLATE

		<b>THREE PHASE AC INDUCTION MOTOR</b> <b>INVERTER DUTY 20:1 VT; 10:1 CT</b>						Hernando, MS 38632			
		Model : PESS254TC7.5M-4-B				IP	#N/A	FRAME	254TC	LB/WT	#N/A
HZ	#N/A	S.F.	#N/A	HZ	#N/A	S.F.	#N/A	NEMA DESIGN		#N/A	
HP	7.5	RPM	#N/A	HP	#N/A	RPM	#N/A	ENCL.	#N/A	INS	#N/A
VOLTS		#N/A		VOLTS		#N/A		DUTY	#N/A	AMB	#N/A
AMPS		#N/A		AMPS		#N/A		DE BRG		#N/A	
CODE	#N/A	P.F.	#N/A	CODE	#N/A	P.F.	#N/A	ODE BRG		#N/A	
EFF	#N/A	MIN	#N/A	EFF	#N/A	MIN	#N/A	SER NO.			
<div style="display: flex; justify-content: space-between; align-items: center;"> <div style="text-align: center;"> <p>208-230V      460V</p> </div> <div style="text-align: center;"> </div> <div style="text-align: right;"> <p>CC082A</p> <p>E310089</p> <p>MADE IN CHINA</p> </div> </div>											

Factory Certified for T2B  
 Div 2. Class I, Gr. A , B , C & D  
 and Class II, Gr. F & G

### APPLICATIONS:

Applications include washdown applications, food processing, chemical processing, pharmaceuticals, poultry processing, meat processing, dairy applications, bakeries, snack foods, bottling and extremely corrosive environments.