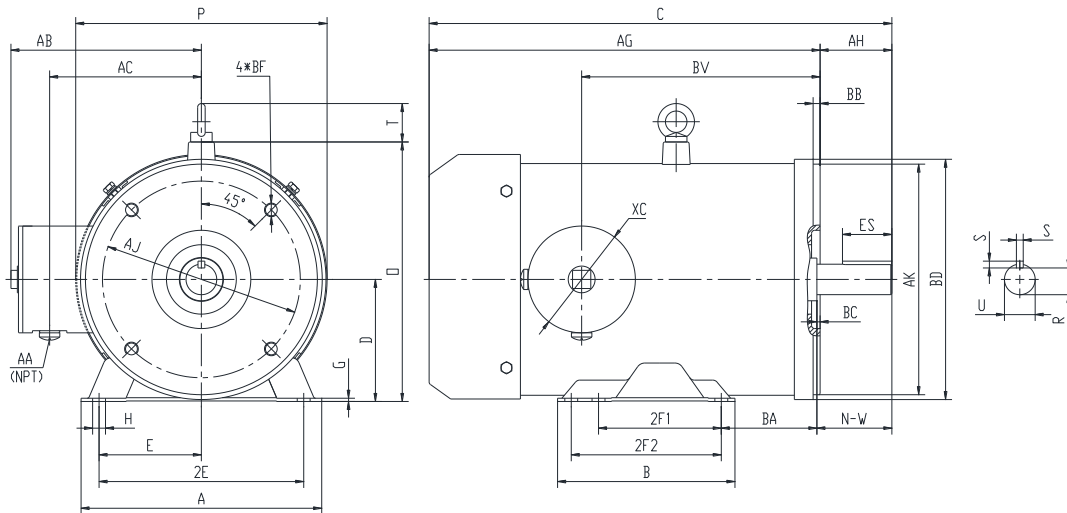


PESS215TC5M-6-B

WASHDOWN DUTY MOTOR WITH ENCAPSULATION
 NEMA PREMIUM EFFICIENCY
 STAINLESS STEEL CONSTRUCTION - C-FLANGE WITH FEET
 TOTALLY ENCLOSED FAN COOLED - IP66 CONSTRUCTION
 INVERTER DUTY 10:1 CT; 20:1 VT - NEMA MG1 PART 31



DIMENSIONS

HP	RPM	Frame	MOUNTING														
			A	B	C	D	G	H	E	2E	2F1	2F2	O	P	T	AG	BA
5	1200	215TC	9.6	8.1	21.5	5.25	0.157	0.41	4.25	8.5	5.5	7	11.2	10.08	1.75	18.3	4.25

FLANGE						Shaft Extension, Key Set					Conduit Box			
AH	AJ	AK	BB	BC	BF	U	R	S	ES	N-W	AA	AB	AC	BV
3.12	7.25	8.5	0.25	0.25	4*1/2-13	1.375	1.201	0.312	2.41	3.38	0.5	7.85	6.41	11.95

Bearings		Mount
DE	ODE	
6308-2RS	6208-2RS	F1

BEARING LUBRICATION: The bearings come lubricated with Mobil Polyrex EM Polyurea Grease.





PESS215TC5M-6-B

WASHDOWN DUTY MOTOR WITH ENCAPSULATION
NEMA PREMIUM EFFICIENCY
STAINLESS STEEL CONSTRUCTION - C-FLANGE WITH FEET
TOTALLY ENCLOSED FAN COOLED - IP66 CONSTRUCTION
INVERTER DUTY 10:1 CT; 20:1 VT - NEMA MG1 PART 31

PERFORMANCE DATA

HP	RPM	Frame	Voltage	Frequency (Hz)	Full Load S.F.	Insulation Class	NEMA Design	Slip (%)	NEMA Code	Enclosure Type	IP Rating	Max. Ambient
5	1175	215TC	230/460	60	1.15	F	B	2.1	J	TEFC	66	40 °C

Amps (460V)		Efficiency (%)			Power Factor			Torque (ft-lb)			DE Bearing	ODE Bearing	Connection	Weight (lbs.)
FLA	LRA	100%	75%	50%	100%	75%	50%	FLT	LRT %	BDT %				
6.8	46	87.5	87.5	86.0	0.78	0.67	0.55	22.1	250	270	6308-2RS	6208-2RS	9 Lead 2Y/Y	197

*Usable at 208 Volts

NAME PLATE

		THREE PHASE AC INDUCTION MOTOR INVERTER DUTY 20:1 VT; 10:1 CT						Hernando, MS 38632					
Model :		PESS215TC5M-6-B				IP	66	FRAME	215TC	LB/WT	197		
HZ	60	S.F.	1.15	HZ	50	S.F.	1.0	NEMA DESIGN	B				
HP	5	RPM	1175	HP	5	RPM	970	ENCL.	TEFC	INS	F		
VOLTS		230/460		VOLTS		190/380		DUTY	CONT	AMB	40 °C		
AMPS		13.6/6.8		AMPS		16.6/8.3		DE BRG	6308-2RS				
CODE	J	P.F.	0.78	CODE	J	P.F.	0.80	ODE BRG	6208-2RS				
EFF	87.5	MIN	85.5	EFF	85.5	MIN	83.0	SER NO.					
								CC082A		MADE IN CHINA			

Factory Certified for T2B
 Div 2. Class I, Gr. A , B , C & D
 and Class II, Gr. F & G

APPLICATIONS:

Applications include washdown applications, food processing, chemical processing, pharmaceuticals, poultry processing, meat processing, dairy applications, bakeries, snack foods, bottling and extremely corrosive environments.