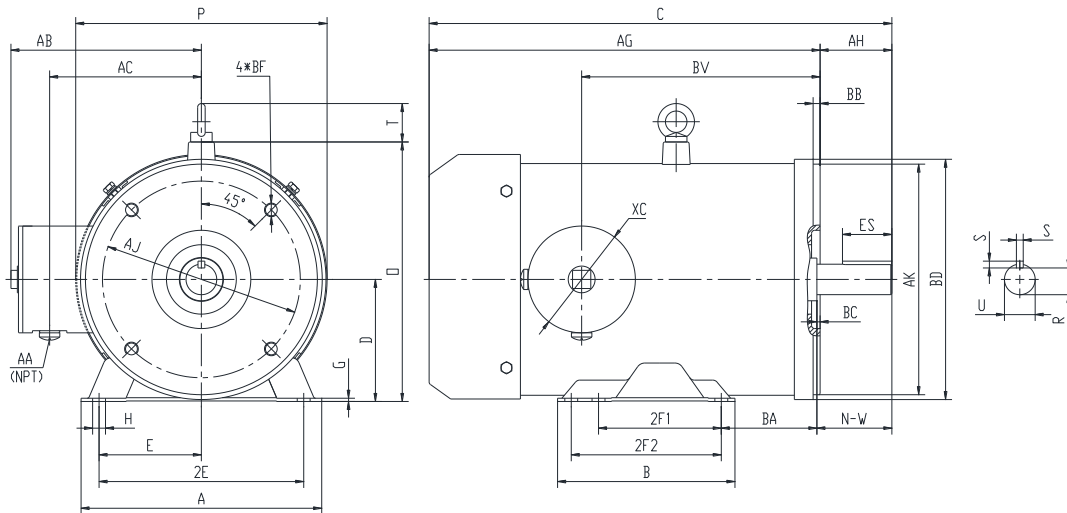


PES184TC5M-4-B

WASHDOWN DUTY MOTOR WITH ENCAPSULATION
 NEMA PREMIUM EFFICIENCY
 STAINLESS STEEL CONSTRUCTION - C-FLANGE WITH FEET
 TOTALLY ENCLOSED FAN COOLED - IP66 CONSTRUCTION
 INVERTER DUTY 10:1 CT; 20:1 VT - NEMA MG1 PART 31



DIMENSIONS

HP	RPM	Frame	MOUNTING														
			A	B	C	D	G	H	E	2E	2F1	2F2	O	P	T	AG	BA
5	1800	184TC	8.8	6.5	17	4.5	0.118	0.71*0.47	3.75	7.5	4.5	5.5	9.55	9.25	1.45	14.38	3.5

FLANGE						Shaft Extension, Key Set					Conduit Box				
AH	AJ	AK	BB	BC	BF	U	R	S	ES	N-W	AA	AB	AC	BV	
2.62	7.25	8.5	0.25	0.12	4*1/2-13	1.125	0.986	0.25	1.78	2.75	0.5	7	5.55	8.5	

Bearings		Mount
DE	ODE	
6308-2RS	6306-2RS	F1

BEARING LUBRICATION: The bearings come lubricated with Mobil Polyrex EM Polyurea Grease.





PESS184TC5M-4-B

WASHDOWN DUTY MOTOR WITH ENCAPSULATION
NEMA PREMIUM EFFICIENCY
STAINLESS STEEL CONSTRUCTION - C-FLANGE WITH FEET
TOTALLY ENCLOSED FAN COOLED - IP66 CONSTRUCTION
INVERTER DUTY 10:1 CT; 20:1 VT - NEMA MG1 PART 31

PERFORMANCE DATA

HP	RPM	Frame	Voltage	Frequency (Hz)	Full Load S.F.	Insulation Class	NEMA Design	Slip (%)	NEMA Code	Enclosure Type	IP Rating	Max. Ambient
5	1765	184TC	230/460	60	1.15	F	B	1.9	J	TEFC	66	40 °C

Amps (460V)		Efficiency (%)			Power Factor			Torque (ft-lb)			DE Bearing	ODE Bearing	Connection	Weight (lbs.)
FLA	LRA	100%	75%	50%	100%	75%	50%	FLT	LRT %	BDT %				
6.25	46	89.5	90.0	89.0	0.86	0.77	0.66	14.7	255	280	6308-2RS	6306-2RS	9 Lead 2Y/Y	99

*Usable at 208 Volts

NAME PLATE

		THREE PHASE AC INDUCTION MOTOR INVERTER DUTY 20:1 VT; 10:1 CT										Hernando, MS 38632	
		Model : PESS184TC5M-4-B				IP 66		FRAME 184TC		LB/WT 99			
HZ 60		S.F. 1.15		HZ 50		S.F. 1.0		NEMA DESIGN B					
HP 5		RPM 1765		HP 5		RPM 1460		ENCL. TEFC		INS F			
VOLTS 230/460				VOLTS 190/380				DUTY CONT		AMB 40 °C			
AMPS 12.5/6.25				AMPS 14.8/7.4				DE BRG 6308-2RS					
CODE J		P.F. 0.86		CODE K		P.F. 0.88		ODE BRG 6306-2RS					
EFF 89.5		MIN 87.5		EFF 87.5		MIN 85.5		SER NO.					
230V 		460V 								CC082A			
MADE IN CHINA													

Factory Certified for T2B
 Div 2. Class I, Gr. A , B , C & D
 and Class II, Gr. F & G

APPLICATIONS:

Applications include washdown applications, food processing, chemical processing, pharmaceuticals, poultry processing, meat processing, dairy applications, bakeries, snack foods, bottling and extremely corrosive environments.