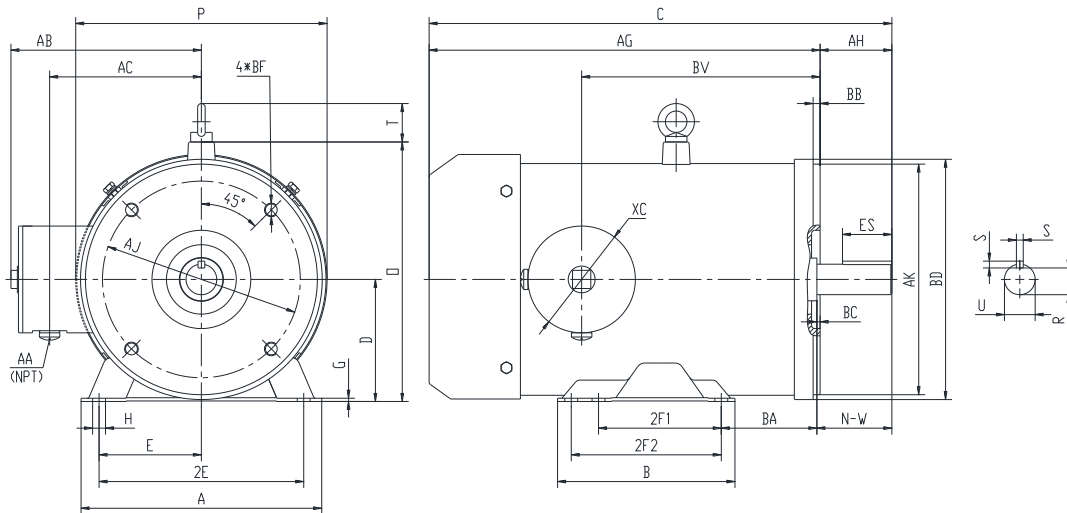


PES213TC7.5M-4-B

WASHDOWN DUTY MOTOR WITH ENCAPSULATION
 NEMA PREMIUM EFFICIENCY
 STAINLESS STEEL CONSTRUCTION - C-FLANGE WITH FEET
 TOTALLY ENCLOSED FAN COOLED - IP66 CONSTRUCTION
 INVERTER DUTY 10:1 CT; 20:1 VT - NEMA MG1 PART 31



DIMENSIONS

| HP | RPM | Frame | MOUNTING | | | | | | | | | | | | | | |
|-----|------|-------|----------|-----|------|------|-------|------|------|-----|-----|-----|------|-------|------|-------|------|
| | | | A | B | C | D | G | H | E | 2E | 2F1 | 2F2 | O | P | T | AG | BA |
| 7.5 | 1800 | 213TC | 9.6 | 8.1 | 20.7 | 5.25 | 0.157 | 0.41 | 4.25 | 8.5 | 5.5 | 7 | 11.2 | 10.08 | 1.75 | 17.58 | 4.25 |

| FLANGE | | | | | | Shaft Extension, Key Set | | | | | Conduit Box | | | | |
|--------|------|-----|------|------|----------|--------------------------|-------|-------|------|------|-------------|------|------|-------|--|
| AH | AJ | AK | BB | BC | BF | U | R | S | ES | N-W | AA | AB | AC | BV | |
| 3.12 | 7.25 | 8.5 | 0.25 | 0.25 | 4*1/2-13 | 1.375 | 1.201 | 0.312 | 2.41 | 3.38 | 0.5 | 7.85 | 6.41 | 11.15 | |

| Bearings | | Mount |
|----------|----------|-------|
| DE | ODE | |
| 6308-2RS | 6208-2RS | F1 |

BEARING LUBRICATION: The bearings come lubricated with Mobil Polyrex EM Polyurea Grease.





PESS213TC7.5M-4-B

WASHDOWN DUTY MOTOR WITH ENCAPSULATION
NEMA PREMIUM EFFICIENCY
STAINLESS STEEL CONSTRUCTION - C-FLANGE WITH FEET
TOTALLY ENCLOSED FAN COOLED - IP66 CONSTRUCTION
INVERTER DUTY 10:1 CT; 20:1 VT - NEMA MG1 PART 31

PERFORMANCE DATA

| HP | RPM | Frame | Voltage | Frequency (Hz) | Full Load S.F. | Insulation Class | NEMA Design | Slip (%) | NEMA Code | Enclosure Type | IP Rating | Max. Ambient |
|-----|------|-------|---------|----------------|----------------|------------------|-------------|----------|-----------|----------------|-----------|--------------|
| 7.5 | 1755 | 213TC | 230/460 | 60 | 1.15 | F | B | 2.5 | H | TEFC | 66 | 40 °C |

| Amps (460V) | | Efficiency (%) | | | Power Factor | | | Torque (ft-lb) | | | DE Bearing | ODE Bearing | Connection | Weight (lbs.) |
|-------------|------|----------------|------|------|--------------|------|------|----------------|-------|-------|------------|-------------|-------------|---------------|
| FLA | LRA | 100% | 75% | 50% | 100% | 75% | 50% | FLT | LRT % | BDT % | | | | |
| 9.3 | 63.5 | 91.7 | 92.0 | 90.0 | 0.83 | 0.75 | 0.65 | 22 | 250 | 270 | 6308-2RS | 6208-2RS | 9 Lead 2Y/Y | 179 |

*Usable at 208 Volts

NAME PLATE

| | | | | | | | | | | | | | |
|---------|------|--|------|------|-------|------|------|--------------------|----------|---------------|----------|-----|-------|
| | | THREE PHASE AC INDUCTION MOTOR INVERTER DUTY 20:1 VT; 10:1 CT | | | | | | Hernando, MS 38632 | | | | | |
| Model : | | PESS213TC7.5M-4-B | | | | IP | 66 | FRAME | 213TC | LB/WT | 179 | | |
| HZ | 60 | S.F. | 1.15 | HZ | 50 | S.F. | 1.0 | NEMA DESIGN | B | | | | |
| HP | 7.5 | RPM | 1755 | HP | 7.5 | RPM | 1460 | ENCL. | TEFC | INS | F | | |
| VOLTS | | 230/460 | | | VOLTS | | | 190/380 | | DUTY | CONT | AMB | 40 °C |
| AMPS | | 18.6/9.3 | | | AMPS | | | 22.4/11.2 | | DE BRG | 6308-2RS | | |
| CODE | H | P.F. | 0.83 | CODE | H | P.F. | 0.85 | ODE BRG | 6208-2RS | | | | |
| EFF | 91.7 | MIN | 90.2 | EFF | 90.0 | MIN | 88.5 | SER NO. | | | | | |
| | | | | | | | | CC082A | | MADE IN CHINA | | | |

Factory Certified for T2B
 Div 2. Class I, Gr. A , B , C & D
 and Class II, Gr. F & G

APPLICATIONS:

Applications include washdown applications, food processing, chemical processing, pharmaceuticals, poultry processing, meat processing, dairy applications, bakeries, snack foods, bottling and extremely corrosive environments.