

Siemens
EcoTech



SIRIUS soft starter 200-480 V 470 A, 110-250 V AC Screw terminals Analog output



product brand name	SIRIUS
product category	Hybrid switching devices
product designation	Soft starter
product type designation	3RW50
manufacturer's article number	<ul style="list-style-type: none"> • of standard HMI module usable 3RW5980-0HS01 • of high feature HMI module usable 3RW5980-0HF00 • of communication module PROFINET standard usable 3RW5980-0CS00 • of communication module PROFIBUS usable 3RW5980-0CP00 • of communication module Modbus TCP usable 3RW5980-0CT00 • of communication module Modbus RTU usable 3RW5980-0CR00 • of communication module Ethernet/IP 3RW5980-0CE00 • of circuit breaker usable at 400 V 3VA2580-6HN32-0AA0; Type of assignment 1, Iq = 65 kA • of circuit breaker usable at 500 V 3VA2580-6HN32-0AA0; Type of assignment 1, Iq = 65 kA • of the gG fuse usable up to 690 V 2x3NA3365-6; Type of coordination 1, Iq = 65 kA • of full range R fuse link for semiconductor protection usable up to 690 V 3NE1 436-2; Type of coordination 2, Iq = 65 kA • of back-up R fuse link for semiconductor protection usable up to 690 V 3NE3 340-8; Type of coordination 2, Iq = 65 kA • of line contactor usable up to 480 V 3RT1076 • of line contactor usable up to 690 V 3RT1076
General technical data	
starting voltage [%]	30 ... 100 %
stopping voltage [%]	50 %; non-adjustable
start-up ramp time of soft starter	0 ... 20 s
ramp-down time of soft starter	0 ... 20 s
current limiting value [%] adjustable	130 ... 700 %
certificate of suitability	<ul style="list-style-type: none"> • CE marking Yes • UL approval Yes • CSA approval Yes
product component	<ul style="list-style-type: none"> • HMI-High Feature No • is supported HMI-Standard Yes • is supported HMI-High Feature Yes
product feature integrated bypass contact system	Yes
number of controlled phases	2
buffering time in the event of power failure	

<ul style="list-style-type: none"> • for main current circuit 	100 ms
<ul style="list-style-type: none"> • for control circuit 	100 ms
insulation voltage rated value	600 V
degree of pollution	3, acc. to IEC 60947-4-2
impulse voltage rated value	6 kV
blocking voltage of the thyristor maximum	1 600 V
service factor	1
surge voltage resistance rated value	6 kV
maximum permissible voltage for protective separation	
<ul style="list-style-type: none"> • between main and auxiliary circuit 	600 V
shock resistance	15 g / 11 ms, from 12 g / 11 ms with potential contact lifting
vibration resistance	15 mm to 6 Hz; 2g to 500 Hz
utilization category according to IEC 60947-4-2	AC-53a
reference code according to IEC 81346-2	Q
Substance Prohibitance (Date)	09/23/2019
SVHC substance name	Lead - 7439-92-1 Lead monoxide (lead oxide) - 1317-36-8 2-methyl-1-(4-methylthiophenyl)-2-morpholinopropan-1-one - 71868-10-5
Weight	8.3 kg
product function	
<ul style="list-style-type: none"> • ramp-up (soft starting) 	Yes
<ul style="list-style-type: none"> • ramp-down (soft stop) 	Yes
<ul style="list-style-type: none"> • Soft Torque 	Yes
<ul style="list-style-type: none"> • adjustable current limitation 	Yes
<ul style="list-style-type: none"> • pump ramp down 	Yes
<ul style="list-style-type: none"> • intrinsic device protection 	Yes
<ul style="list-style-type: none"> • motor overload protection 	Yes; Electronic motor overload protection
<ul style="list-style-type: none"> • evaluation of thermistor motor protection 	No
<ul style="list-style-type: none"> • auto-RESET 	Yes
<ul style="list-style-type: none"> • manual RESET 	Yes
<ul style="list-style-type: none"> • remote reset 	Yes; By turning off the control supply voltage
<ul style="list-style-type: none"> • communication function 	Yes
<ul style="list-style-type: none"> • operating measured value display 	Yes; Only in conjunction with special accessories
<ul style="list-style-type: none"> • error logbook 	Yes; Only in conjunction with special accessories
<ul style="list-style-type: none"> • via software parameterizable 	No
<ul style="list-style-type: none"> • via software configurable 	Yes
<ul style="list-style-type: none"> • PROFenergy 	Yes; in connection with the PROFINET Standard communication module
<ul style="list-style-type: none"> • voltage ramp 	Yes
<ul style="list-style-type: none"> • torque control 	No
<ul style="list-style-type: none"> • analog output 	Yes; 4 ... 20 mA (default) / 0 ... 10 V (parameterizable with High Feature HMI)
Power Electronics	
operational current	
<ul style="list-style-type: none"> • at 40 °C rated value 	470 A
<ul style="list-style-type: none"> • at 50 °C rated value 	416 A
<ul style="list-style-type: none"> • at 60 °C rated value 	380 A
operating voltage	
<ul style="list-style-type: none"> • rated value 	200 ... 480 V
relative negative tolerance of the operating voltage	-15 %
relative positive tolerance of the operating voltage	10 %
operating power for 3-phase motors	
<ul style="list-style-type: none"> • at 230 V at 40 °C rated value 	132 kW
<ul style="list-style-type: none"> • at 400 V at 40 °C rated value 	250 kW
Operating frequency 1 rated value	50 Hz
Operating frequency 2 rated value	60 Hz
relative negative tolerance of the operating frequency	-10 %
relative positive tolerance of the operating frequency	10 %
adjustable motor current	
<ul style="list-style-type: none"> • at rotary coding switch on switch position 1 	200 A
<ul style="list-style-type: none"> • at rotary coding switch on switch position 2 	218 A
<ul style="list-style-type: none"> • at rotary coding switch on switch position 3 	236 A
<ul style="list-style-type: none"> • at rotary coding switch on switch position 4 	254 A

<ul style="list-style-type: none"> • at rotary coding switch on switch position 5 • at rotary coding switch on switch position 6 • at rotary coding switch on switch position 7 • at rotary coding switch on switch position 8 • at rotary coding switch on switch position 9 • at rotary coding switch on switch position 10 • at rotary coding switch on switch position 11 • at rotary coding switch on switch position 12 • at rotary coding switch on switch position 13 • at rotary coding switch on switch position 14 • at rotary coding switch on switch position 15 • at rotary coding switch on switch position 16 • minimum 	272 A 290 A 308 A 326 A 344 A 362 A 380 A 398 A 416 A 434 A 452 A 470 A 200 A
minimum load [%]	15 %; Relative to smallest settable le
power loss [W] for rated value of the current at AC	
<ul style="list-style-type: none"> • at 40 °C after startup • at 50 °C after startup • at 60 °C after startup 	56 W 44 W 37 W
power loss [W] at AC at current limitation 350 %	
<ul style="list-style-type: none"> • at 40 °C during startup • at 50 °C during startup • at 60 °C during startup 	5 344 W 4 438 W 3 876 W
type of the motor protection	Electronic, tripping in the event of thermal overload of the motor
Control circuit/ Control	
type of voltage of the control supply voltage	AC
control supply voltage at AC	
<ul style="list-style-type: none"> • at 50 Hz • at 60 Hz 	110 ... 250 V 110 ... 250 V
relative negative tolerance of the control supply voltage at AC at 50 Hz	-15 %
relative positive tolerance of the control supply voltage at AC at 50 Hz	10 %
relative negative tolerance of the control supply voltage at AC at 60 Hz	-15 %
relative positive tolerance of the control supply voltage at AC at 60 Hz	10 %
control supply voltage frequency	50 ... 60 Hz
relative negative tolerance of the control supply voltage frequency	-10 %
relative positive tolerance of the control supply voltage frequency	10 %
control supply current in standby mode rated value	30 mA
holding current in bypass operation rated value	105 mA
inrush current by closing the bypass contacts maximum	2.2 A
inrush current peak at application of control supply voltage maximum	12.2 A
duration of inrush current peak at application of control supply voltage	2.2 ms
design of the overvoltage protection	Varistor
design of short-circuit protection for control circuit	4 A gG fuse (I _{cu} =1 kA), 6 A quick-acting fuse (I _{cu} =1 kA), C1 miniature circuit breaker (I _{cu} = 600 A), C6 miniature circuit breaker (I _{cu} = 300 A); Is not part of scope of supply
Inputs/ Outputs	
number of digital inputs	1
number of digital outputs	3
<ul style="list-style-type: none"> • not parameterizable 	2
digital output version	2 normally-open contacts (NO) / 1 changeover contact (CO)
number of analog outputs	1
switching capacity current of the relay outputs	
<ul style="list-style-type: none"> • at AC-15 at 250 V rated value • at DC-13 at 24 V rated value 	3 A 1 A
Installation/ mounting/ dimensions	
mounting position	with vertical mounting surface +/-90° rotatable, with vertical mounting surface +/- 22.5° tiltable to the front and back

fastening method	screw fixing
height	230 mm
width	160 mm
depth	282 mm
required spacing with side-by-side mounting	
<ul style="list-style-type: none"> • forwards • backwards • upwards • downwards • at the side 	10 mm 0 mm 100 mm 75 mm 5 mm
weight without packaging	7.3 kg
Connections/ Terminals	
type of electrical connection	
<ul style="list-style-type: none"> • for main current circuit • for control circuit 	busbar connection screw-type terminals
width of connection bar maximum	35 mm; with connection cover 3RT1966-4EA1 maximum length 45 mm
type of connectable conductor cross-sections for main contacts for box terminal	
<ul style="list-style-type: none"> • using the front clamping point solid • using the front clamping point finely stranded with core end processing • using the front clamping point finely stranded without core end processing • using the front clamping point stranded • using the back clamping point solid • r box terminal using the back clamping point • using both clamping points solid • using both clamping points finely stranded with core end processing • using both clamping points finely stranded without core end processing • using both clamping points stranded • using the back clamping point finely stranded with core end processing • using the back clamping point finely stranded without core end processing • using the back clamping point stranded 	95 ... 300 mm ² 70 ... 240 mm ² 70 ... 240 mm ² 95 ... 300 mm ² 120 ... 240 mm ² 250 ... 500 kcmil min. 2x 70 mm ² , max. 2x 240 mm ² min. 2x 50 mm ² , max. 2x 185 mm ² min. 2x 50 mm ² , max. 2x 185 mm ² min. 2x 70 mm ² , max. 2x 240 mm ² 120 ... 185 mm ² 120 ... 185 mm ² 120 ... 240 mm ²
type of connectable conductor cross-sections	
<ul style="list-style-type: none"> • for AWG cables for main current circuit solid • for DIN cable lug for main contacts stranded • for DIN cable lug for main contacts finely stranded 	2/0 ... 500 kcmil 50 ... 240 mm ² 70 ... 240 mm ²
type of connectable conductor cross-sections	
<ul style="list-style-type: none"> • for control circuit solid • for control circuit finely stranded with core end processing • for AWG cables for control circuit solid 	1x (0.5 ... 4.0 mm ²), 2x (0.5 ... 2.5 mm ²) 1x (0.5 ... 2.5 mm ²), 2x (0.5 ... 1.5 mm ²) 1x (20 ... 12), 2x (20 ... 14)
wire length	
<ul style="list-style-type: none"> • between soft starter and motor maximum • at the digital inputs at AC maximum 	800 m 1 000 m
tightening torque	
<ul style="list-style-type: none"> • for main contacts with screw-type terminals • for auxiliary and control contacts with screw-type terminals 	14 ... 24 N·m 0.8 ... 1.2 N·m
tightening torque [lbf·in]	
<ul style="list-style-type: none"> • for main contacts with screw-type terminals • for auxiliary and control contacts with screw-type terminals 	124 ... 210 lbf·in 7 ... 10.3 lbf·in
Ambient conditions	
installation altitude at height above sea level maximum	5 000 m; derating as of 1000 m, see Manual
ambient temperature	
<ul style="list-style-type: none"> • during operation • during storage and transport 	-25 ... +60 °C; Please observe derating at temperatures of 40 °C or above -40 ... +80 °C
environmental category	
<ul style="list-style-type: none"> • during operation according to IEC 60721 	3K6 (no ice formation, only occasional condensation), 3C3 (no salt mist), 3S2 (sand must not get into the devices), 3M6

- during storage according to IEC 60721
- during transport according to IEC 60721

1K6 (only occasional condensation), 1C2 (no salt mist), 1S2 (sand must not get inside the devices), 1M4
2K2, 2C1, 2S1, 2M2 (max. fall height 0.3 m)

Environmental footprint

Global Warming Potential [CO2 eq] total	464 kg
Global Warming Potential [CO2 eq] during manufacturing	87.4 kg
global warming potential [CO2 eq] during sales	2.05 kg
Global Warming Potential [CO2 eq] during operation	407 kg
Global Warming Potential [CO2 eq] after end of life	-32.4 kg
Siemens Eco Profile (SEP)	Siemens EcoTech

Electromagnetic compatibility

EMC emitted interference	acc. to IEC 60947-4-2: Class A
---------------------------------	--------------------------------

Communication/ Protocol

communication module is supported	
• PROFINET standard	Yes
• EtherNet/IP	Yes
• Modbus RTU	Yes
• Modbus TCP	Yes
• PROFIBUS	Yes

UL/CSA ratings

manufacturer's article number	
• of the fuse	
— usable for Standard Faults up to 575/600 V according to UL	Type: Class L, max. 1600 A; Iq = 30 kA
— usable for High Faults up to 575/600 V according to UL	Type: Class L, max. 1200 A; Iq = 100 kA
operating power [hp] for 3-phase motors	
• at 200/208 V at 50 °C rated value	150 hp
• at 220/230 V at 50 °C rated value	150 hp
• at 460/480 V at 50 °C rated value	350 hp

Electrical Safety	
protection class IP on the front according to IEC 60529	IP00; IP20 with cover
touch protection on the front according to IEC 60529	finger-safe, for vertical contact from the front with cover

ATEX

Safety Integrity Level (SIL) according to IEC 61508 relating to ATEX	SIL1
PFHD with high demand rate according to IEC 61508 relating to ATEX	9E-6 1/h
PFDavg with low demand rate according to IEC 61508 relating to ATEX	0.09
hardware fault tolerance according to IEC 61508 relating to ATEX	0
T1 value for proof test interval or service life according to IEC 61508 relating to ATEX	3 a
certificate of suitability	
• ATEX	Yes
• IECEX	Yes
• UKEX	Yes

Approvals Certificates

General Product Approval



[Confirmation](#)



EMV	For use in hazardous locations	Test Certificates	Marine / Shipping
-----	--------------------------------	-------------------	-------------------

[KC](#)



[Miscellaneous](#)

[Type Test Certificates/Test Report](#)





[Confirmation](#)



Siemens
EcoTech



[Environmental Con-
firmations](#)

Further information

Information on the packaging

<https://support.industry.siemens.com/cs/ww/en/view/109813875>

Information- and Downloadcenter (Catalogs, Brochures,...)

<https://www.siemens.com/ic10>

Industry Mall (Online ordering system)

<https://mall.industry.siemens.com/mall/en/en/Catalog/product?mlfb=3RW5076-6AB14>

Cax online generator

<http://support.automation.siemens.com/WWW/CAXorder/default.aspx?lang=en&mlfb=3RW5076-6AB14>

Service&Support (Manuals, Certificates, Characteristics, FAQs,...)

<https://support.industry.siemens.com/cs/ww/en/ps/3RW5076-6AB14>

Image database (product images, 2D dimension drawings, 3D models, device circuit diagrams, EPLAN macros, ...)

http://www.automation.siemens.com/bilddb/cax_de.aspx?mlfb=3RW5076-6AB14&lang=en

Characteristic: Tripping characteristics, I²t, Let-through current

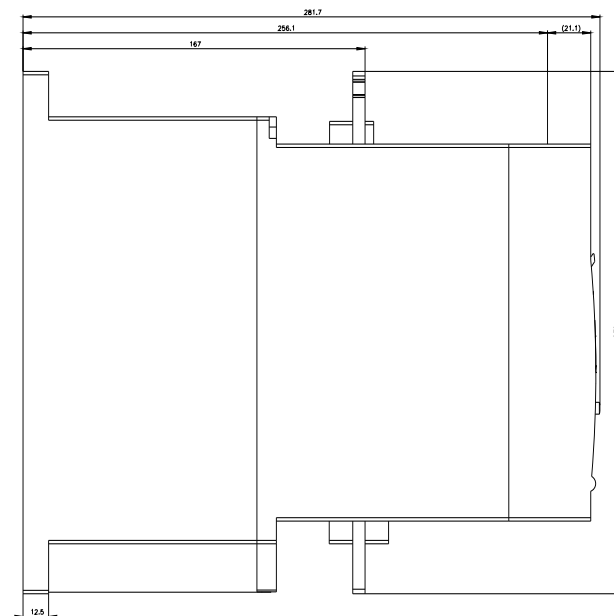
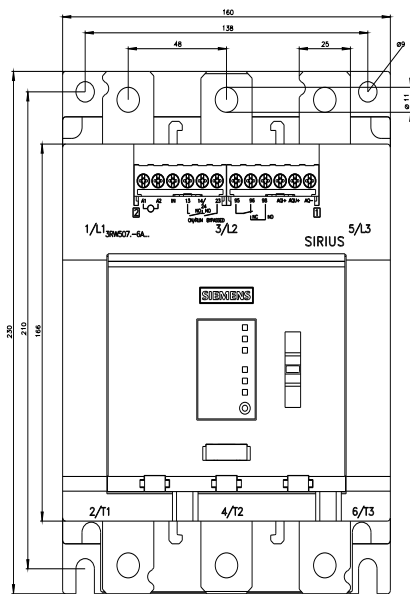
<https://support.industry.siemens.com/cs/ww/en/ps/3RW5076-6AB14/char>

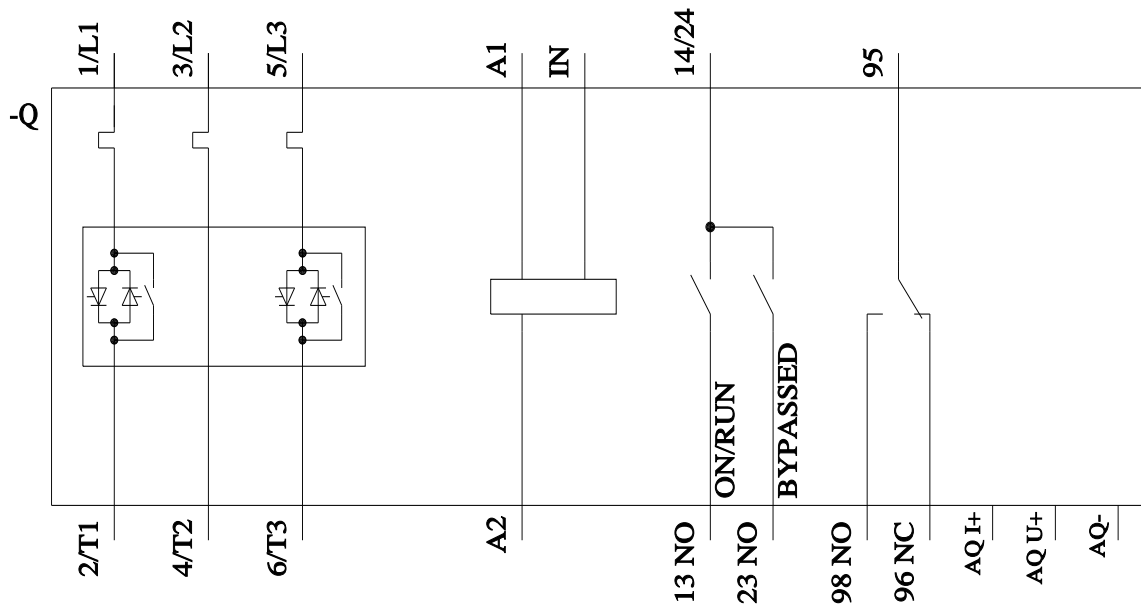
Characteristic: Installation altitude

<http://www.automation.siemens.com/bilddb/index.aspx?view=Search&mlfb=3RW5076-6AB14&objecttype=14&gridview=view1>

Simulation Tool for Soft Starters (STS)

<https://support.industry.siemens.com/cs/ww/en/view/101494917>





last modified:

11/9/2024 

