



WORLDWIDE MOTOR CONTROLS  
Soft Starters  
General Purpose Solid State Soft Starters



## MODEL: WWEPICSSRV12-25

### General Product Specifications

- NEMA 4 Enclosure
- Service entrance rated
- Advanced Motor Protection
- Full panel fused surge protection
- Integral full rated bypass contactor with X-Line mode
- Front panel indicators and keypad
- Start/stop, HOA, reset buttons
- Current imbalance, overcurrent, undercurrent, phase loss, shorted load, and ground fault protections standard
- Soft stop feature eliminates water hammer
- Run pilot light
- Emergency stop push button
- Illuminated fault/reset push button

Rated Power	230V	-
	460V	25 HP
Max Full Load Amps		39 A
Outside Dimensions		37x15x12
Input Voltage	208-480VAC $\pm 10\%$ , 50/60Hz Optional 380, 415, 575VAC	
Overload Rating	500% for 30s	
Overload Range	28-40 A	
Ambient Conditions	0° to 40 °C, 5-95% relative humidity, 0-3300ft above sea level (Can be designed to operate outside these conditions)	
Inputs	7	dry contacts using 120VAC
Programmable Outputs	3	2-Form C (5A, 240VAC max) 1- Form A 26 programmable functions



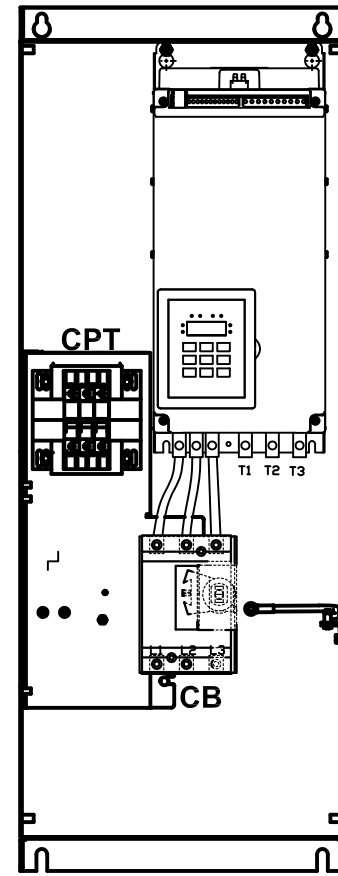
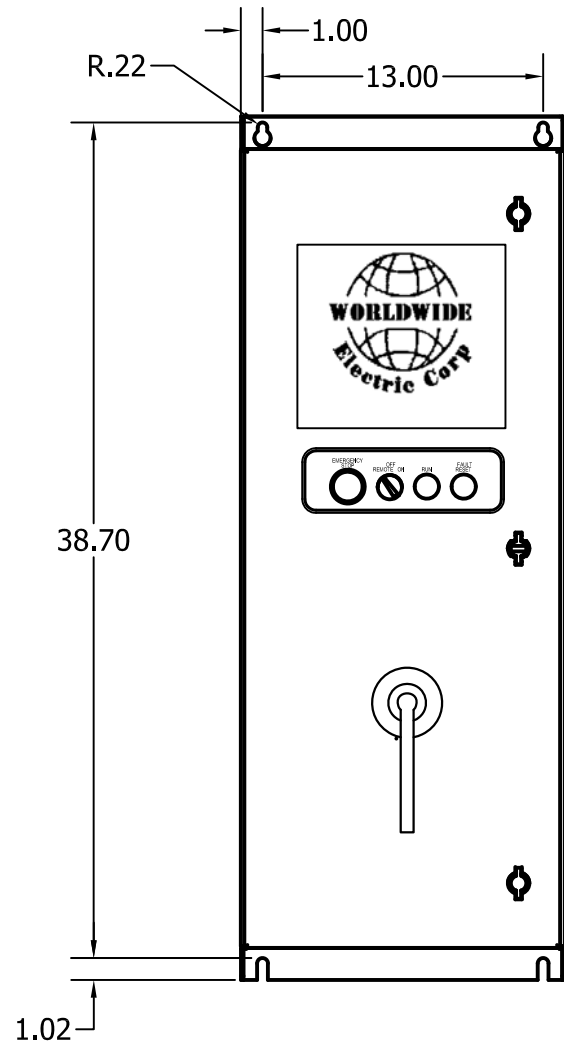
DRIVING & Controlling

WorldWideElectric

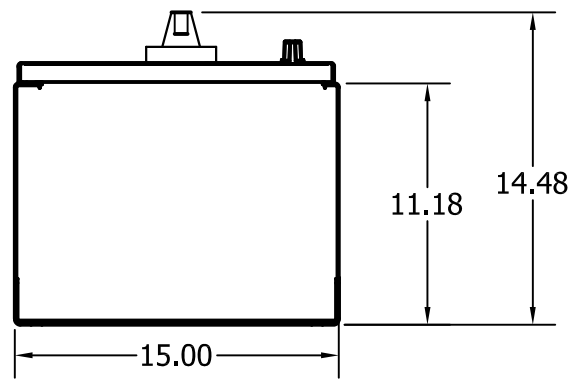
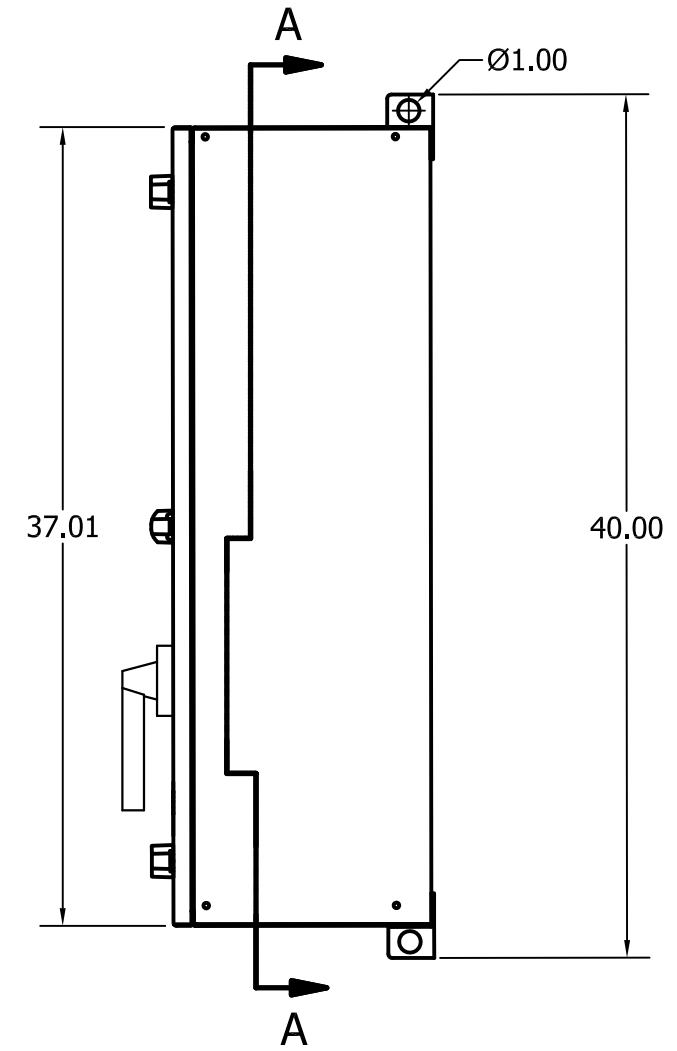
# Industry

WWEPICSSRV12-25

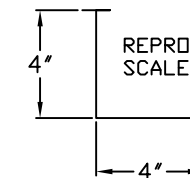
REV NO	REVISION	DATE	BY
D	UPDATED	7/24/15	GC



SECTION A-A



NOTE  
1. UNITS ARE NEMA 4 RATED.



	800-808-2131		
	3540 WINTON PLACE ROCHESTER, NY 14623		
WWEPICSSRV12-40/125 ASSEMBLY DRAWING			
SCALE	DRAWING NUMBER	DRAWN BY	REV. BY
NOTED	VMX-0139	C.L. CHK'D. BY	GFC
SHEET	REV. No.	DATE	
1 OF 1	D	06/16/2015	