



WORLDWIDE MOTOR CONTROLS  
Soft Starters  
General Purpose Solid State Soft Starters

## MODEL: WWPICSSRV12-100



### General Product Specifications

- NEMA 4 Enclosure
- Service entrance rated
- Advanced Motor Protection
- Full panel surge protection
- Integral full rated bypass contactor with X-Line mode
- Front panel indicators and keypad
- Start/stop, HOA, reset buttons
- Current imbalance, overcurrent, undercurrent, phase loss, shorted load, and ground fault protections standard
- Soft stop feature eliminates water hammer
- Run pilot light
- Emergency stop push button
- Illuminated fault/reset push button

|                      |   |   |
|----------------------|---|---|
| Rated Power          | 230V  | 50 HP   |
|                      | 460V  | 100 HP  |
| Max Full Load Amps   |   | 150 A   |
| Outside Dimensions   |   | 37x15x12  |
| Input Voltage        | 208-480VAC $\pm$ 10%, 50/60Hz<br>Optional 380, 415, 575VAC  |   |
| Overload Rating      | 500% for 30s  |   |
| Overload Range       | 120-180 A   |   |
| CT Rating            | 150:5   |   |
| Ambient Conditions   | 0° to 40 °C, 5-95% relative humidity,<br>0-3300ft above sea level (Can be designed to operate outside these conditions) |   |
| Inputs               | 7   | dry contacts using 120VAC   |
| Programmable Outputs | 3   | 2-Form C (5A, 240VAC max)<br>1- Form A<br>26 programmable functions |



DRIVING & Controlling

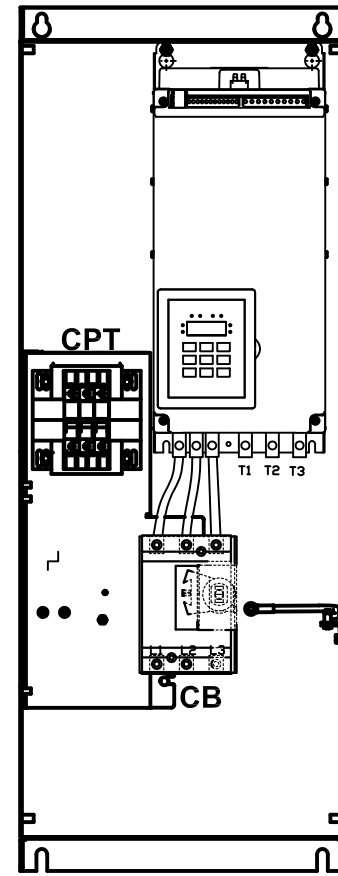
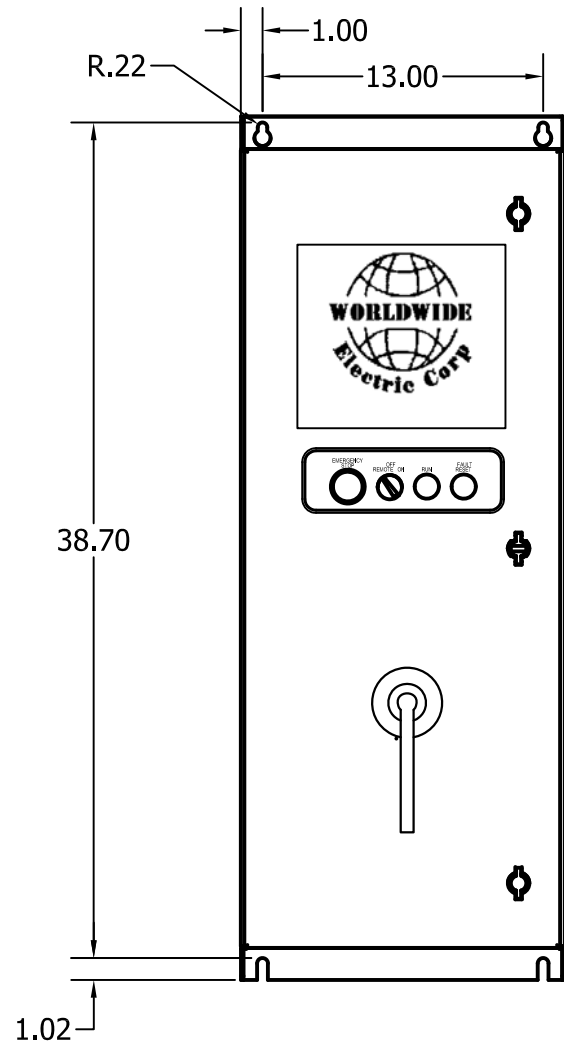
WorldWideElectric

# Industry

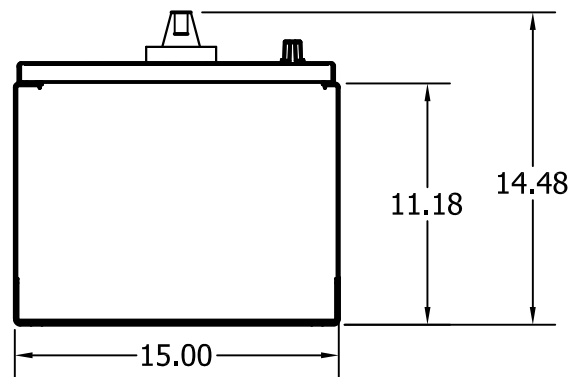
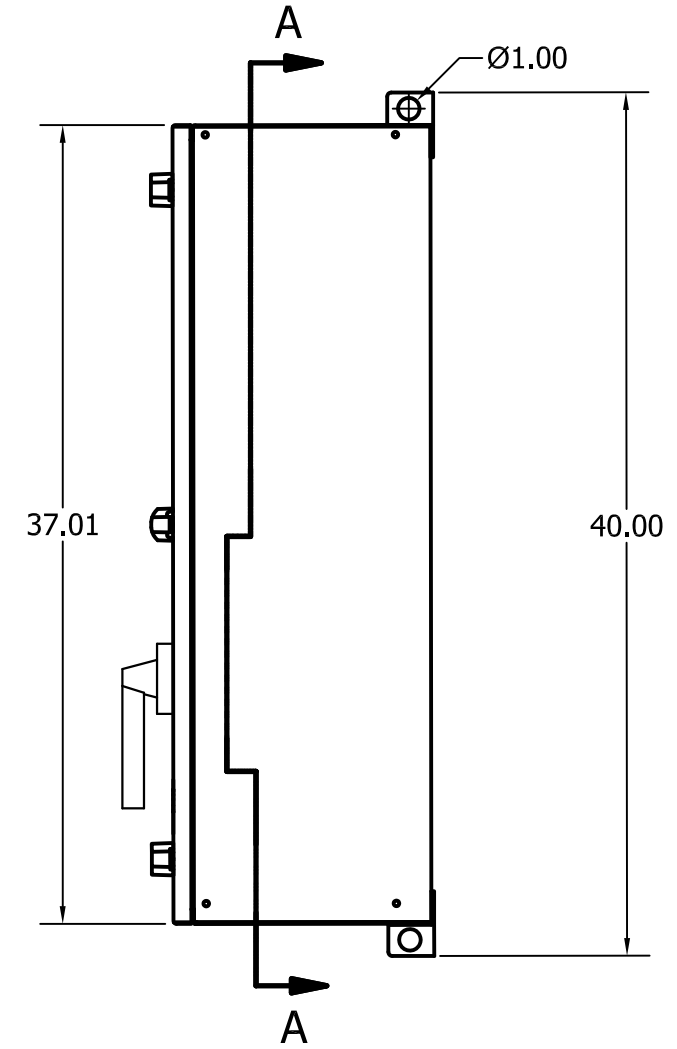


WWEPICSSRV12-100

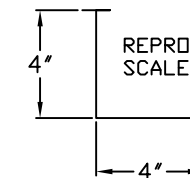
| REV NO | REVISION | DATE    | BY |
|--------|----------|---------|----|
| D      | UPDATED  | 7/24/15 | GC |
|        |          |         |    |



SECTION A-A



NOTE  
1. UNITS ARE NEMA 4 RATED.



|                                      |  |                   |         |
|--------------------------------------|--|-------------------|---------|
|                                      | 800-808-2131                             |                   |         |
|                                      | 3540 WINTON PLACE<br>ROCHESTER, NY 14623 |                   |         |
| WWEPICSSRV12-40/125 ASSEMBLY DRAWING |  |                   |         |
| SCALE                                | DRAWING NUMBER                           | DRAWN BY          | REV. BY |
| NOTED                                | VMX-0139                                 | C.L.<br>CHK'D. BY | GFC     |
| SHEET                                | REV. No.                                 | DATE              |         |
| 1 OF 1                               | D  | 06/16/2015        |         |