



WORLDWIDE MOTOR CONTROLS

Soft Starters

Heavy Duty Reduced Voltage Soft Starters

With Full-Rated Wired Emergency Bypass

MODEL: WWEBCDSSRV12-600

General Product Specifications

- Full panel surge suppression
- Service entrance rated
- Integral full rated bypass contactor with X-Line mode
- Real-time thermal modeling and dynamic thermal register continuously calculates motor operating temperature even when your motor is not running
- Current imbalance, overcurrent, undercurrent, phase loss, shorted load, and ground fault protections standard
- PTC thermistor input for use on motors with embedded PTC temperature sensors
- Programmable overload trip curves
- Voltage Ramp
- Voltage Ramp with Current Limit
- Ramp times adjustable 1-120 seconds
- Current Ramp: CLT© Closed Loop Torque Ramp
- Current limit adjustable 200-600% of FLA
- 10-100% starting torque for 0.1-2 seconds

| | | |
|----------------------|---|---|
| Rated Power | 230V | 300 HP |
| | 460V | 600 HP |
| Max Full Load Amps | | 800 A |
| Outside Dimensions | | 92x36x30 |
| Input Voltage | 208-480VAC $\pm 10\%$, 50/60Hz Optional 380, 415, 575VAC | |
| Overload Rating | Normal Duty: 500% for 20s (Variable Torque Applications) Heavy Duty: 500% for 60s (Constant Torque Applications) | |
| Overload Range | 560-840 A | |
| CT Rating | 700:5 | |
| Ambient Conditions | 0° to 40 °C, 5-95% relative humidity, 0-3300ft above sea level (Can be designed to operate outside these conditions) | |
| Inputs | 6 | dry contacts using 120VAC |
| Programmable Outputs | 3 | 2-Form C (5A, 240VAC max) 1- Form A 26 programmable functions |



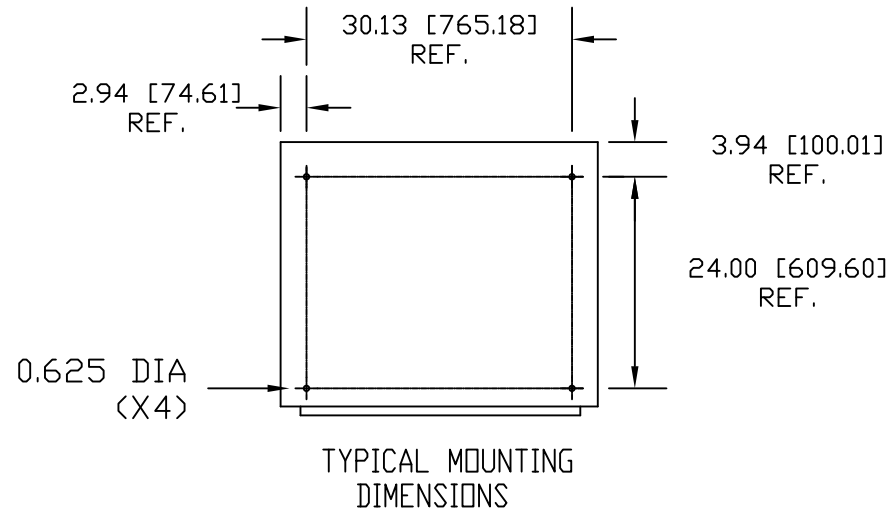
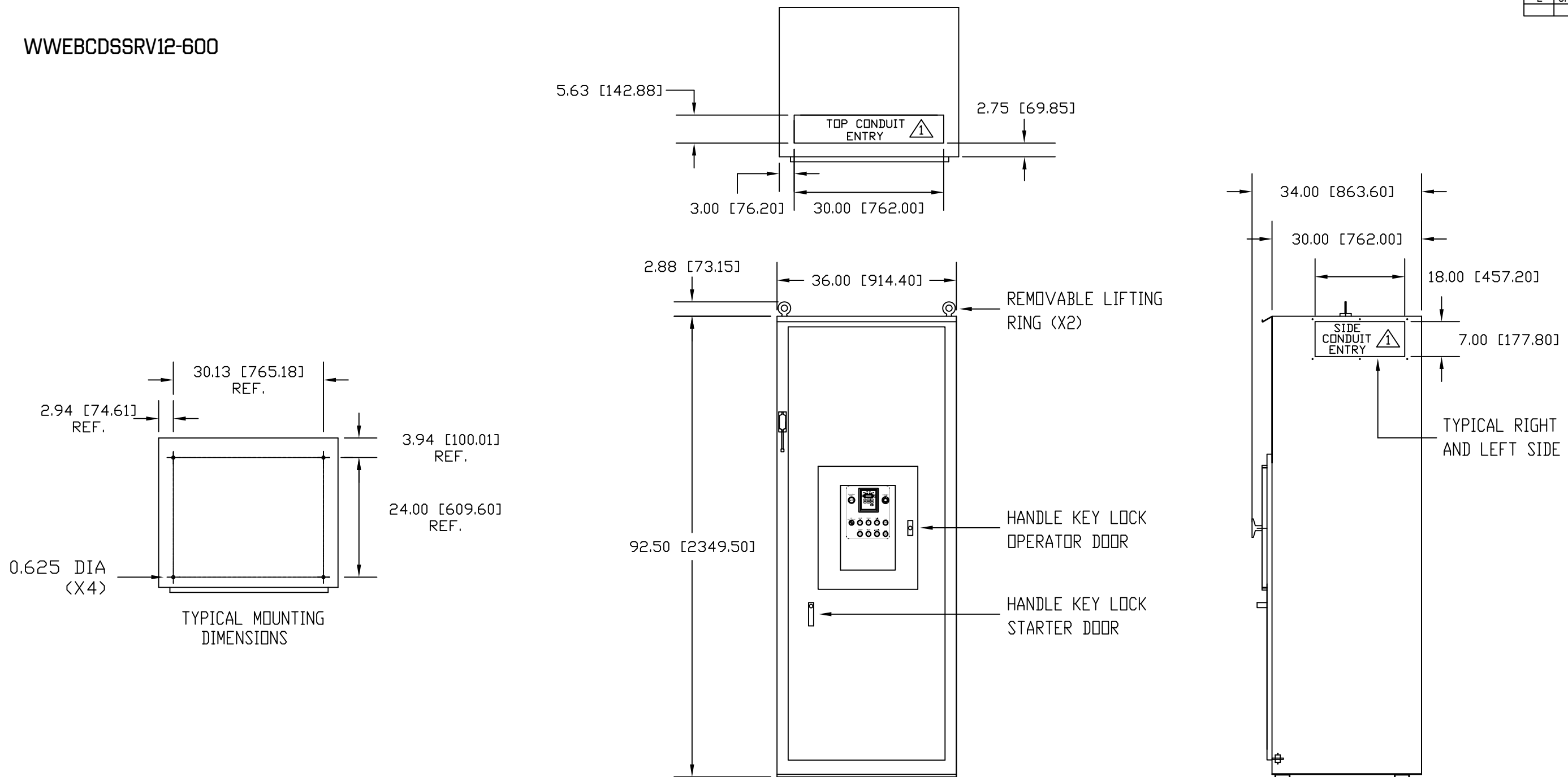
DRIVING & Controlling

WorldWideElectric.net

Industry

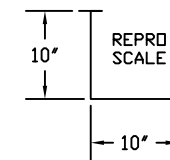
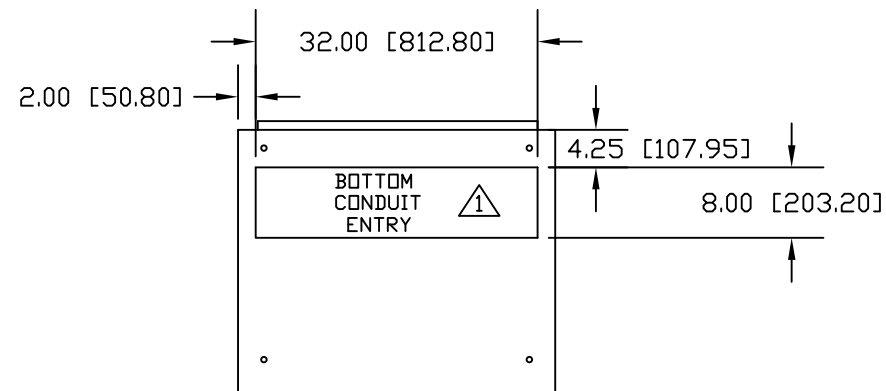
| REV NO | REVISION | DATE | BY |
|--------|----------|----------|----|
| 1 | RELEASED | 03/20/08 | RD |
| 2 | UPDATED | 06/16/15 | GC |

WWEBCDSSRV12-600



⚠
CONDUIT ENTRY TOP, BOTTOM, AND BOTH TOP SIDES ARE COVERED BY REMOVABLE GASKETED PLATES

TYPE: NEMA TYPE 12
FINISH: ANSI 61 GRAY
MATERIAL: 11 GA. [2.95MM] CRS
APPROXIMATE WEIGHT: 1200 LBS. [544 KG]
DIMENSIONS: INCHES [MILLIMETERS]



| | | | |
|------------------------------------|---------------------------|--|----------------|
| | | 800.808.2131 | |
| | | 3540 WINTON PLACE ROCHESTER, NY 14623 | |
| SIZE 3 ENCLOSURE OUTLINE DIMENSION | | | |
| SCALE NOTED | DRAWING NUMBER 94-0297 | DRAWN BY RRH CHK'D. BY | REV. BY GFC |
| SHEET 1 OF 1 | REV. No. 2 | DATE 06/16/2015 | |