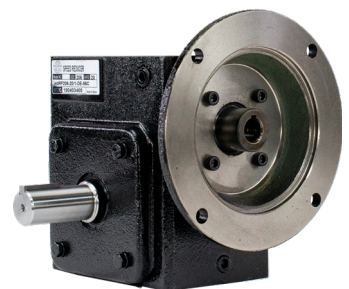
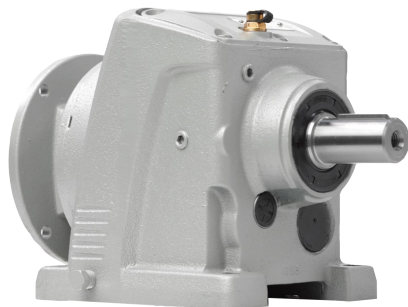
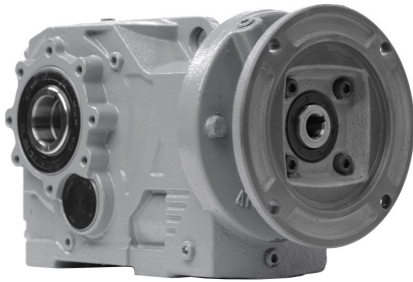




WorldWide
ELECTRIC CORPORATION

**Gear
Reducers**

(800) 808-2131
worldwideelectric.com



Gear Reducers

Stock Products Catalog

2024-2025

WorldWide Electric's complete line of Worm Gear, Inline, Helical-Bevel, and Shaft Mount Reducers



WorldWide Electric Gear Reducers

Proven, reliable designs

WorldWide Electric's line of Gear Reducers includes Worm Gear Reducers, Shaft Mount Reducers, Inline Helical Reducers, Helical-Bevel Reducers and our new FHN series Parallel Shaft Helical Reducers. Reduce speed, increase torque, and maintain exceptional efficiency and performance with our field-tested and industry proven Gear Reducers.

WorldWide Electric has been in the motor business for over two decades, providing reliable and affordable electric motors, gear reducers, motor controls and generators. We continue to meet the needs of the most unique applications and strive to have the best customer service in the industry.



Application Questionnaire for Gear Selection



Company Name: _____

Phone: _____ Fax: _____ Email: _____

Application description: _____

Ambient operating temperature range (°F): _____

Operating environment description: _____

Hours operated per day: _____ Start/Stops per day: _____

Is this a reversing application? Yes No if Yes, how often per hour: _____

Are there any size restrictions? Explain: _____

Moment of Inertia of Driven Machine: _____

PRIME MOVER INFORMATION:

Electric motor? Frame size: _____ Rated HP: _____ at _____ RPM

Foot mount? C-face? Integral gearmotor? Peak torque (lbs.): _____

Frequency of peak torque: _____/hour

Duration of peak motor torque (seconds): _____ Phase/ frequency/ voltage: _____

Internal combustion engine? Single cylinder? Multi-cylinder?

HP _____ or torque (lbs.) _____ developed at _____ RPM

Other prime mover? Explain: _____

Is the prime mover directly coupled to the reducers? Yes No If No, explain: _____

GEAR DRIVE INFORMATION:

Type of unit required:	Shaft Mount Reducer	Worm Gear Reducer	Helical/Helical-Bevel
	Original (SMR)	Cast Iron (HdR)	Inline (WINL)
	Eliminator (SCSMR)	Stainless Steel (SSHdR)	Helical-Bevel (KAN/KHN)
		Aluminum (CALM)	Parallel Helical (FHN)

Desired ratio: _____ Ratio tolerance: _____ Mounting position: _____

Constant speed? Variable speed? If variable speed, what is the desired speed range? _____

Backstop required? Yes No Direction of rotation: Clockwise? Counter Clockwise?

Overhung Load? Input shaft Output shaft Radial load Thrust load

Radial load location on shaft of OHL from shaft shoulder (F_N): _____ (in.)

Angle of applied load: _____ (degrees) Load: (F_N Perm): _____ (lb.)

Thrust load - toward unit? Away from unit?

Special features or accessories required? Yes No

If Yes, detail features required (i.e. output covers, mounting brackets, etc.): _____

Information required to size a motor and shaft mount reducer for a belt conveyor drive system

- 1) What is the length of conveyor?

- 2) What is the conveyor belt width?

- 3) What is the incline angle or discharge height from load zone/ground?

- 4) What is the head-pulley (drum) diameter?

- 5) What type of material is being conveyed?

- 6) What is the productivity or through-put expressed in either tons per hour and/or feet per minute?

- 7) How many hours of operation does the equipment operate per day or per week?

- 8) Is there the presence of shock loading, and if so what is the frequency and severity?

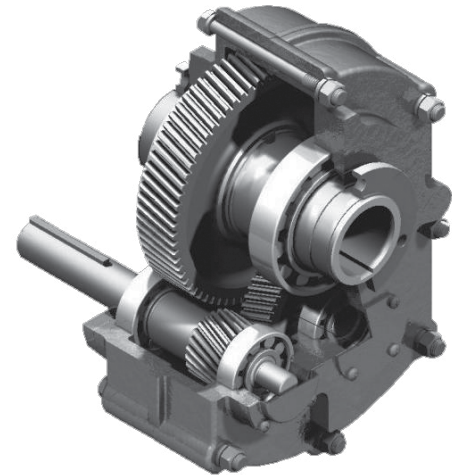
- 9) What is the number of starts and stops (cycles) per hour or day?

Section 1: Shaft Mount Reducers		Multiplier
SMR Series - The Original Shaft Mount Reducers		2
Product Overview	2	Mechanical Ratings 3
Overhung Load Ratings	2	Dimensions 6
HYSMR Series - The Original Shaft Mount Reducers - Hydraulically Powered		7
Product Overview	7	Dimensions 8
Overhung Load Ratings	7	
SMR Series - Selection Tables		9
Service Class I	9	Service Class III 11
Service Class II	10	
SCSMR Series - The Eliminator Shaft Mount Reducers		12
Product Overview	12	Mechanical Ratings 13
Overhung Load Ratings	12	Dimensions 16
Competitive Interchanges		17
Accessories and Parts		18
Backstop Assemblies, Belt Guards, Motor Mounts, Torque Arms, Rebuild Kits		18
Tapered Bushing Kits		20
SCSMR Screw Conveyor Components, Screw Conveyor Drive Shafts, Screw Conveyor Flanges		21
Section 2: Worm Gear Reducers		
HdR Series - Heavy Duty Cast Iron Worm Gear Reducers		22
Product Overview	22	Flange Input, Hollow Bore Output 27
How to Order	22	Shaft Input, Shaft Output 29
Mechanical Ratings	23	Competitive Interchange 31
Flange Input, Shaft Output	24	Accessories and Parts 32
SSHdR Series - Stainless Steel Worm Gear Reducers		33
Product Overview	33	Dimensions 35
Mechanical Ratings	34	Accessories and Parts 35
CALM Series - Aluminum Worm Gear Reducers		37
Product Overview	37	Competitor Dimensional Comparison 44
Mechanical Ratings	41	Accessories and Parts 45
Dimensions	42	
Section 3: Helical and Helical-Bevel Gear Reducers		
WINL Series - Inline Gear Reducers		46
Product Overview	46	Dimensions 52
Mechanical Ratings	49	Competitor Dimensional Comparison 53
KAN & KHN Series - Helical-Bevel Gear Reducers		54
Product Overview	54	KHN Dimensions 65
Mechanical Ratings	58	KHN Competitor Dimensional Comparison 67
KAN Dimensions	60	Accessories and Parts 69
KAN Competitor Dimensional Comparison	62	
FHN Series - Parallel Shaft Helical Gear Reducers		71
Product Overview	71	FHN with Power Lock 78
Mechanical Ratings	74	FHN Power Lock Dimensions 79
FHN Dimensions	76	Accessories and Parts 80
Section 4: Reference		
A.G.M.A. Service Factor & Load Class Information		81
Terms and Warranty Information		84
Terms and Conditions of Sale		84
Return Policy		85
Freight Terms		85

SMR Series - The Original Shaft Mount Reducers: Product Overview

Product Specifications

- 15:1 and 25:1 ratios
- Box sizes 2 - 12
- Tapered bushing type (bushing not included)
- Premium quality ball and tapered bearings - double lip seals
- Shafts and gears manufactured from high grade steel, case hardened and precision ground to A.G.M.A. standards
- Industrial grade all-cast iron housings protect gearing for life
- Extended gear centers and tooth contact
- Metal reinforced double lip, spring loaded oil seals
- Dimensional drop-in for all major makes
- Torque arm included
- 2 year warranty



Accessories and Parts are shown on Pages 18-20.

Box Size	Ratio	Output Bore (Max.)	Approx. Wt. (lbs.)	Model Number	List Price
2	15:1	1 15/16"	58	SMR2-15/1	\$1,121.66
	25:1			SMR2-25/1	
3	15:1	2 3/16"	98	SMR3-15/1	\$1,992.33
	25:1			SMR3-25/1	
4	15:1	2 7/16"	139	SMR4-15/1	\$2,694.74
	25:1			SMR4-25/1	
5	15:1	2 15/16"	207	SMR5-15/1	\$4,047.00
	25:1			SMR5-25/1	
6	15:1	3 7/16"	285	SMR6-15/1	\$5,287.99
	25:1			SMR6-25/1	
7	15:1	3 15/16"	462	SMR7-15/1	\$8,438.61
	25:1			SMR7-25/1	
8	15:1	4 7/16"	633	SMR8-15/1	\$14,348.34
	25:1			SMR8-25/1	
9	15:1	4 15/16"	760	SMR9-15/1	\$18,820.04
	25:1			SMR9-25/1	
10	15:1	5 7/16"	882	SMR10-15/1	\$30,963.22
	25:1			SMR10-25/1	
12	15:1	6 1/2"	1785	SMR12-15/1	\$54,324.42
	25:1			SMR12-25/1	

SMR Series: Overhung Load Capacity of Output Shaft (lbs.)

Box Size	Shaft Size	Output Speed (RPM)										
		10	20	30	50	80	100	120	140	160	180	200
2	1 7/16	2000	1510	1270	1010	840	820	720	720	710	710	700
	1 15/16	1750	1320	1110	890	730	710	630	630	620	620	610
3	1 15/16	5400	4250	3680	3050	2620	2440	2310	2210	2110	2040	1980
	2 3/16	5240	4120	3570	2960	2540	2370	2240	2140	2050	1980	1920
4	2 3/16	6520	5180	4510	3800	3230	3000	2830	2710	2600	2510	2430
	2 7/16	6360	5060	4410	3710	3160	2930	2770	2640	2530	2450	2370
5	2 7/16	7460	5860	5080	4280	3690	3450	3270	3110	2980	2880	2790
	2 15/16	7060	5540	4800	4040	3490	3260	3090	2940	2820	2720	2640
6	2 15/16	9100	7100	6100	5000	4100	4050	3700	3550	3400	3300	3200
	3 7/16	8200	6400	5500	4500	3700	3650	3400	3300	3250	3200	3150
7	3 7/16	11400	9500	7300	5950	4750	5050	4500	4300	4250	4200	4150

1
SMR SERIES - THE ORIGINAL
SHAFT MOUNT REDUCERS

SMR Series: Mechanical Ratings

Reducer Model Number	Service Class I			Service Class II			Service Class III		
	Power (HP)	Output (RPM)	Output * Torque	Power (HP)	Output (RPM)	Output * Torque	Power (HP)	Output (RPM)	Output * Torque
SMR2-15/1	2	18-32	6700-3769	1.5	19-34	4761-2660	1.5	27-51	3350-1774
	3	27-51	6700-3547	2	25-47	4824-2566	2	37-71	3260-1699
	5	71-85	4247-3547	3	39-75	4639-2412	3	58-113	3119-1601
	7.5	75-140	6030-3230	5	70-136	4307-2217	5	104-140	2899-2154
	10	104-140	5798-4307	7.5	111-140	4074-3230	—	—	—
SMR2-25/1	0.5	4-6	7538-5025	0.33	4-6	5025-3350	0.25	4-6	3769-2513
	0.75	6-10	7538-4523	0.5	6-9	5025-3350	0.33	5-9	4020-2233
	1	8-15	7538-4020	0.75	9-16	5025-2827	0.5	8-15	3769-2010
	1.5	13-23	6958-3933	1	12-22	5025-2741	0.75	13-23	3479-1966
	2	18-32	6700-3769	1.5	19-34	4761-2660	1	18-32	3350-1884
	3	27-51	6700-3547	2	25-47	4824-2566	1.5	27-51	3350-1774
	5	47-70	6415-4307	3	39-75	4639-2412	2	37-71	3260-1699
7.5	75-85	6030-5321	5	70-85	4307-3547	3	58-85	3119-2128	
SMR3-15/1	5	27-46	11167-6555	2	15-24	8040-5025	2	22-36	5482-3350
	7.5	41-74	11031-6112	3	23-38	7865-4761	3	33-57	5482-3174
	10	57-103	10579-5855	5	38-69	7934-4370	5	57-103	5290-2927
	15	94-140	9623-6461	7.5	60-110	7538-4111	7.5	94-140	4811-3230
	—	—	—	10	85-140	7094-4307	—	—	—
SMR3-25/1	0.75	4-5	11307-9045	0.5	4-5	7538-6030	0.5	6-7	5025-4307
	1	6-7	10050-8615	0.75	6-8	7538-5653	0.75	8-12	5653-3769
	1.5	8-12	11307-7538	1	8-11	7538-5482	1	11-17	5482-3547
	2	11-17	10964-7094	1.5	12-18	7538-5025	1.5	16-26	5653-3479
	3	16-26	11307-6958	2	15-24	8040-5025	2	22-36	5482-3350
	5	27-46	11167-6555	3	23-38	7865-4761	3	33-57	5482-3174
	7.5	41-74	11031-6112	5	38-69	7934-4370	5	57-85	5290-3547
	10	57-85	10579-7094	7.5	60-85	7538-5321	—	—	—
SMR4-15/1	5	18-26	16750-11596	3	15-22	12060-8223	3	21-32	8615-5653
	7.5	27-40	16750-11307	5	25-37	12060-8149	5	37-56	8149-5384
	10	37-56	16298-10768	7.5	39-59	11596-7665	7.5	57-93	7934-4863
	15	57-93	15869-9726	10	53-84	11378-7179	10	79-141	7633-4277
	20	79-140	15266-8615	15	83-140	10898-6461	—	—	—
	25	102-140	14780-10768	—	—	—	—	—	—
SMR4-25/1	1	4-5	15075-12060	0.75	4-5	11307-9045	0.5	4-5	7538-6030
	1.5	5-7	18091-12922	1	5-7	12060-8515	0.75	5-7	9045-6461
	2	7-10	17229-12060	1.5	7-11	12922-8223	1	7-10	8615-6030
	3	11-15	16446-12060	2	10-14	12060-8615	1.5	11-15	8223-6030
	5	18-26	16750-11596	3	15-22	12060-8223	2	14-21	8615-5743
	7.5	27-40	16750-11307	5	25-37	12060-8149	3	21-32	8615-5653
	10	37-56	16298-10768	7.5	39-59	11596-7665	5	37-56	8149-5384
	15	57-85	15869-10641	10	53-84	11378-7179	7.5	57-85	7934-5321
	20	79-85	15266-14189	—	—	—	—	—	—
SMR5-15/1	10	21-36	28715-16750	7.5	22-38	20557-11902	5	21-36	14358-8375
	15	33-56	27410-16152	10	30-52	20101-11596	7.5	33-56	13705-8076
	20	46-78	26218-15462	15	48-82	118844-11031	10	46-78	13109-7731
	25	60-101	25126-14926	20	69-117	17479-10308	15	76-125	11902-7236
	30	76-125	23803-14472	25	95-125	15869-12060	20	115-125	10487-9648
	40	115-125	20975-19297	—	—	—	—	—	—

* All output torque ratings listed in inch-pounds

Continued On Next Page

SMR Series: Mechanical Ratings (Continued)

SMR SERIES - THE ORIGINAL SHAFT MOUNT REDUCERS

Reducer Model Number	Service Class I			Service Class II			Service Class III		
	Power (HP)	Output (RPM)	Output * Torque	Power (HP)	Output (RPM)	Output * Torque	Power (HP)	Output (RPM)	Output * Torque
SMR5-25/1	1.5	4	22613	1.5	5-6	18091-15075	0.75	4	11307
	2	4-6	30151-20101	2	6-9	20101-13400	1	4-6	15075-10050
	3	6-10	30151-18091	3	9-14	20101-12922	1.5	6-10	15075-9045
	5	10-17	30151-17736	5	15-24	20101-12563	2	8-13	15075-9277
	7.5	16-26	28266-17395	7.5	22-38	20557-11902	3	13-20	13916-9045
	10	21-36	28715-16750	10	30-52	20101-11596	5	21-36	14358-8375
	15	33-56	27410-16152	15	48-82	18844-11031	7.5	33-56	13705-8076
	20	46-78	26218-15462	20	69-80	17479-15075	10	46-78	13109-7731
SMR6-15/1	25	60-80	25126-18844	—	—	—	—	—	—
	15	20-32	45226-28266	10	19-29	31738-20794	7.5	20-32	22613-14133
	20	27-45	44668-26801	15	28-47	32304-19245	10	27-45	22334-13400
	25	34-59	44339-25552	20	39-68	30924-17736	15	42-75	21536-12060
	30	42-75	43073-24121	25	50-94	30151-16038	20	58-114	20794-10579
	40	58-114	41587-21158	30	61-125	29657-14472	25	75-125	20101-12060
SMR6-25/1	50	75-125	40201-24121	40	89-120	27102-20101	30	99-125	18276-14472
	3	4-5	45226-36181	2	4-5	30151-24121	1.5	4-5	22613-18091
	5	7-9	43073-33501	3	6-8	30151-22613	2	5-7	24121-17229
	7.5	10-15	45226-30151	5	9-14	33501-21536	3	8-12	22613-15075
	10	13-20	46386-30151	7.5	14-21	32304-21536	5	13-20	23193-15075
	15	20-32	45226-28266	10	19-29	31738-20794	7.5	20-32	22613-14133
	20	27-45	44668-26801	15	28-47	32304-19245	10	27-45	22334-13400
	25	34-59	44339-25552	20	39-68	30924-17736	15	42-75	21536-12060
	30	42-75	43073-24121	25	50-80	30151-18844	20	58-70	20794-17229
	40	58-81	41587-29779	30	61-76	29657-23803	—	—	—
SMR7-15/1	20	19-26	63480-46392	20	27-38	44664-31740	10	19-26	31740-23196
	25	24-33	62820-45684	25	34-49	44340-30768	15	29-41	31188-22056
	30	29-41	62388-44124	30	42-60	43068-30156	20	39-57	30924-21156
	40	39-57	61848-42312	40	57-88	42312-27408	25	50-74	30156-20376
	50	50-74	60300-40740	—	—	—	30	61-98	29652-18456
	—	—	—	—	—	—	40	85-89	28380-27108
SMR7-25/1	5	5-6	60300-50256	3	4-5	45228-36180	3	6-7	30156-25848
	7.5	7-9	64608-50256	5	7-8	43068-37692	5	9-12	33504-25128
	10	9-12	67008-50256	7.5	10-13	45228-34788	7.5	14-19	32304-23808
	15	14-19	64608-47604	10	13-18	46392-33504	10	19-26	31740-23196
	20	19-26	63480-46392	15	20-27	45228-33504	15	29-41	31188-22056
	25	24-33	62820-45684	20	27-38	44664-31740	20	39-57	30924-21156
	30	29-41	62388-44124	25	34-49	44340-30768	25	50-74	30156-20376
	40	39-57	61848-42312	30	42-60	43068-30156	30	61-70	29652-25848
	50	50-74	60300-40740	40	57-75	42312-32160	—	—	—
SMR8-15/1	30	20-28	90456-64608	25	23-33	65544-45684	15	20-28	45228-32304
	40	26-38	92772-63480	30	28-41	64608-44124	20	26-38	46392-31740
	50	33-49	91368-61536	40	37-56	65196-43068	25	33-49	45684-30768
	60	40-60	90456-60300	50	47-72	64152-41880	30	40-60	45228-30156
	75	51-70	88680-64608	60	57-89	63480-40656	40	54-84	44664-28716
	—	—	—	75	74-75	61116-60300	50	70-110	43068-27408
	—	—	—	—	—	—	60	86-115	42072-31464
	—	—	—	—	—	—	—	—	—
SMR8-25/1	7.5	4-6	113064-75384	5	4-6	75384-50256	3	4-5	45228-36180
	10	6-8	100500-75384	7.5	6-9	75384-50256	5	6-8	50256-37692
	15	9-13	100500-69576	10	8-12	75384-50256	7.5	9-13	50256-34788
	20	13-18	92772-67008	15	13-19	69576-47604	10	13-18	46392-33504
	25	16-23	94224-65544	20	18-26	67008-46392	15	20-28	45228-32304
	30	20-28	90456-64608	25	23-33	65544-45684	20	26-38	46392-31740
	40	26-38	92772-63480	30	28-41	64608-44124	25	33-49	45684-30768
	50	33-49	91368-61536	40	37-56	65196-43068	30	40-60	45228-30156

All output torque ratings listed in inch-pounds

Continued On Next Page

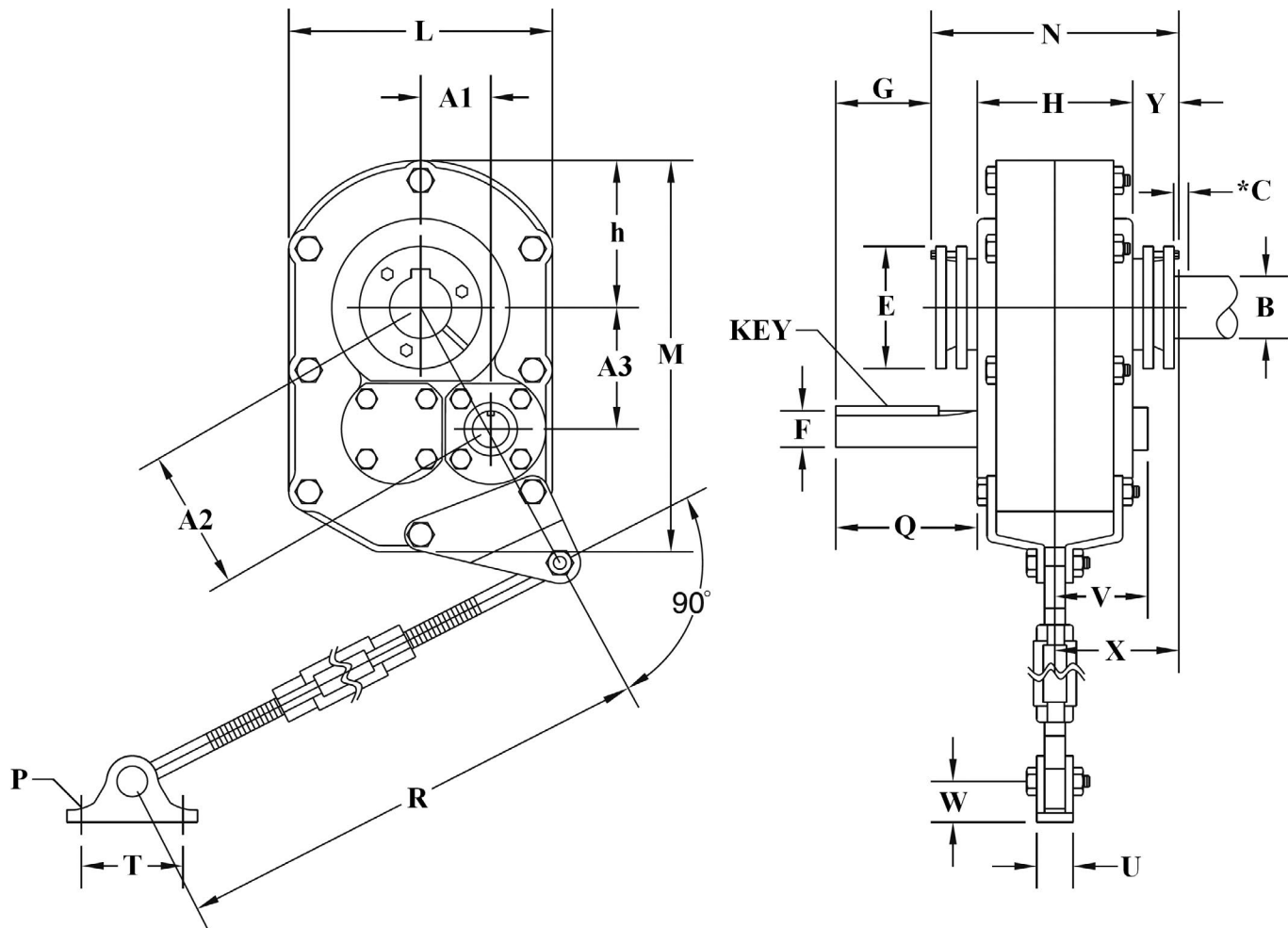
SMR Series: Mechanical Ratings (Continued)

Reducer Model Number	Service Class I			Service Class II			Service Class III		
	Power (HP)	Output (RPM)	Output * Torque	Power (HP)	Output (RPM)	Output * Torque	Power (HP)	Output (RPM)	Output * Torque
SMR8-25/1	60	40-60	90456-60300	50	47-72	64152-41880	40	54-70	44664-34464
	75	51-70	88680-64608	60	57-75	63480-48240	50	70-75	43068-40200
	—	—	—	75	74-75	61116-60300	—	—	—
SMR9-15/1	40	19-25	126948-96480	30	20-27	90456-67008	20	19-25	63480-48240
	50	23-32	131088-94224	40	26-36	92772-67008	25	23-32	65544-47112
	60	28-39	129216-92772	50	33-46	91368-65544	30	28-39	64608-46392
	75	35-50	129216-90456	60	40-56	90456-64608	40	38-53	63480-45516
	—	—	—	75	50-73	90456-61956	50	47-69	64152-43692
	—	—	—	—	—	—	60	57-85	63480-42564
SMR9-25/1	10	5	120600	7.5	5	90456	5	5	60300
	15	7-8	129216-113064	10	6-7	100500-86148	7.5	7-8	64608-56532
	20	9-12	134004-100500	15	10-12	90456-75384	10	9-12	67008-50256
	25	11-15	137052-100500	20	13-17	92772-70944	15	14-19	64608-47604
	30	14-19	129216-95220	25	16-22	94224-68520	20	19-25	63480-48240
	40	19-25	126948-96480	30	20-27	90456-67008	25	23-32	65544-47112
	50	23-32	131088-94224	40	26-36	92772-67008	30	28-39	64608-46392
	60	28-39	129216-92772	50	33-46	91368-65544	40	38-53	63480-45516
	75	35-50	129216-90456	60	40-56	90456-64608	50	47-69	64152-43692
SMR10-15/1	—	—	—	75	50-73	90456-61956	60	57-75	63480-48240
	60	19-27	189075-133053	50	22-32	136077-93553	30	19-27	94538-66526
	75	24-34	187105-132074	60	27-39	133053-92113	40	26-37	92113-64728
	100	32-46	187105-130160	75	34-49	132074-91643	50	32-46	93553-65080
	125	41-59	182542-126851	100	46-67	130160-89364	60	39-56	92113-64150
	150	50-70	179621-128301	125	76-85	98477-88050	75	50-72	89811-62368
SMR10-25/1	—	—	—	—	—	—	100	59-120	10148-49895
	15	5-6	179621-149684	10	5	119748	7.5	5-6	89811-74842
	20	7-8	171068-149684	15	7-9	128301-99790	10	7-8	85534-74842
	25	8-10	187105-149684	20	9-12	133053-99790	15	10-13	89811-69085
	30	10-13	179621-138170	25	11-15	136077-99790	20	13-18	92113-65526
	40	13-18	184227-133053	30	13-19	138170-94538	25	16-22	93553-68038
	50	16-22	187105-136077	40	18-25	133053-95798	30	19-27	94538-66526
	60	19-27	189075-133053	50	22-32	136077-93553	40	26-37	92113-64728
	75	24-34	187105-132074	60	27-39	133053-92113	50	32-46	93553-65080
	100	32-46	187105-130160	75	34-49	132074-91643	60	39-56	92113-64150
SMR12-15/1	125	41-59	182542-126851	100	46-67	130160-89364	75	50-72	89811-62368
	150	50-70	179621-128301	125	59-75	126851-99790	—	—	—
	100	23 - 31	262000 - 194000	75	25 - 33	181000 - 137000	50	23 - 31	131000 - 97000
	125	30 - 40	251000 - 188000	100	34 - 45	177000 - 134000	60	29 - 38	124000 - 95000
	150	37 - 49	244000 - 184000	125	44 - 58	171000 - 130000	75	37 - 49	122000 - 92000
	200	52 - 68*	232000 - 177000	150	55 - 72 +	164000 - 125000	100	52 - 68 +	116000 - 88000
SMR12-25/1	250	68 - 75*	222000 - 201000	200	77 - 120 +	156000 - 100000	125	68 - 70 +	110000 - 107000
	--	--	--	--	--	--	150	83 - 110*	109000 - 82000
	20	4 - 6	301000 - 201000	10	4	150000	10	4 - 9	150000 - 100000
	25	5 - 7	301000 - 215000	15	4 - 6	226000 - 150000	15	6 - 9	150000 - 100000
	30	6 - 9	301000 - 201000	20	6 - 8	201000 - 150000	20	8 - 12	150000 - 100000
	40	8 - 12	301000 - 201000	25	7 - 10	215000 - 150000	25	10 - 15	150000 - 100000
	50	10 - 15	301000 - 201000	30	9 - 12	201000 - 150000	30	13 - 18	139000 - 100000
	60	13 - 18	278000 - 201000	40	12 - 17	201000 - 142000	40	18 - 25	134000 - 96000
	75	16 - 23	282000 - 196000	50	15 - 21	201000 - 143000	50	23 - 31	131000 - 97000
	100	23 - 31	262000 - 194000	60	19 - 26	190000 - 139000	60	29 - 38	124000 - 95000
	125	30 - 40	251000 - 188000	75	25 - 33	181000 - 137000	75	37 - 49	122000 - 92000
	150	37 - 49	244000 - 184000	100	34 - 45	177000 - 134000	100	52 - 68 +	115000 - 88000
200	52 - 68	232000 - 177000	125	44 - 58	171000 - 130000	125	68 - 70 +	110000 - 107000	
250	68 - 75*	221000 - 201000	150	55 - 72 +	164000 - 125000	--	--	--	

All output torque ratings listed in inch-pounds
 + Fan cooling required
 * Heat exchanger required

SMR Series: Dimensions

1
SMR SERIES - THE ORIGINAL
SHAFT MOUNT REDUCERS



All listed dimensions in inches														
Box Size	L M	N	F Key	B Max.	C	E G	W U	X V	Q Y	H	A1 A2	A3 h	R Min. R Max.	P T
2	8.38	7.32	1.125	1 15/16	1.25	4.06	1.06	3.68	3.59	4.56	2.14	3.75	26.94	0.44
	11.41		0.25 x 0.125 x 2.50			2.22	1.25	2.89	1.4		4.32	4.09	32.94	3
3	9.25	9.22	1.25	2 3/16	1.5	4.38	1.06	4.52	4.34	5.63	2.33	4.17	26.94	0.44
	12.88		0.25 x 0.125 x 2.875			2.34	1.25	3.3	1.59		4.78	4.84	32.94	3
4	10.38	9.98	1.4375	2 7/16	1.75	4.81	1.75	4.79	5.57	6.13	2.76	4.79	29.19	0.55
	15.13		0.375 x 0.1875 x 4.06			3.44	1.44	3.41	1.72		5.53	5.5	35.19	4
5	13.13	10.52	1.9375	2 15/16	1.81	5.63	1.75	5.05	5.74	6.31	3.04	5.67	29.19	0.5
	18.31		0.50 x 0.25 x 4.50			3.44	1.44	4.45	1.91		6.43	6.56	35.19	4
6	15.13	11.53	2.1875	3 7/16	1.81	6.13	2	5.73	6.08	6.88	4.09	6.71	29.19	0.63
	21.31		0.50 x 0.25 x 4.50			3.73	2.75	4.57	2.3		7.88	7.56	35.19	4.75
7	18.75	12.85	2.4375	3 15/16	2.06	7.25	2	6.38	6.35	7.75	5.11	8.3	29.44	0.63
	25.94		0.625 x 0.312 x 4.75			3.75	2.75	4.69	2.5		9.74	9.38	35.44	4.75
8	20.25	14.03	2.4375	4 7/16	2.06	7.75	3.13	7.04	7.11	8.37	6.03	9.5	30	0.75
	28.25		0.625 x 0.312 x 5.375			4.31	4	5.85	2.86		11.25	10.13	36	7
9	22.63	14.12	2.4375	4 15/16	2.44	8.75	3.13	7.04	9.65	8.12	6.59	10.81	30	0.75
	31.69		0.625 x 0.312 x 7.75			6.63	4	5.66	2.98		12.66	11.31	36	7
10	25.50	15.63	2.6875	5 7/16	2.5	10.04	3.15	7.83	9.10	9.49	6.58	12.50	30	0.75
	35.00		0.625 x 0.312 x 7.875			6.53	4	6.91	3.07		14.13	12.75	36	7.09
12	31.5	18.49	2.69	6 1/2	2.69	10.95	3.38	9.1	9.39	12	0	22.91	30.5	1.12
	43.5		0.625 x 0.3125 x 7.375			6.12	4.91	8.2	3.21		22.91	15.38	36.5	8.44

Dimensions shown in this catalog are for general use only.
For an exact drawing on a specific rating, please contact our sales office.

HYSMR Series - Hydraulically Powered: *Product Overview*

Product Specifications

- 15:1 and 25:1 ratios
- Box sizes 3 - 5
- Tapered bushing type (bushing not included)
- Spline Input SA498b - 13 Tooth 16/32 DP 30°
- Premium quality ball and tapered bearings - double lip seals
- Shafts and gears manufactured from high grade steel, case hardened and precision ground to A.G.M.A. standards
- Industrial grade all-cast iron housings protect gearing for life
- Extended gear centers and tooth contact
- Metal reinforced double lip, spring loaded oil seals
- Dimensional drop-in for all major makes
- Torque arm included
- 2 year warranty



1
SMR SERIES - THE ORIGINAL
SHAFT MOUNT REDUCERS

Box Size	Ratio	Output Bore (Max.)	Approx. Wt. (lbs.)	Model Number	List Price
3	15:1	2 3/16"	101	HYSMR3-15/1	\$3,415.39
4	15:1	2 7/16"	142	HYSMR4-15/1	\$4,487.37
	25:1			HYSMR4-25/1	
5	15:1	2 15/16"	207	HYSMR5-15/1	\$7,665.91
	25:1			HYSMR5-25/1	

Accessories and Parts are shown on Page 18-20.

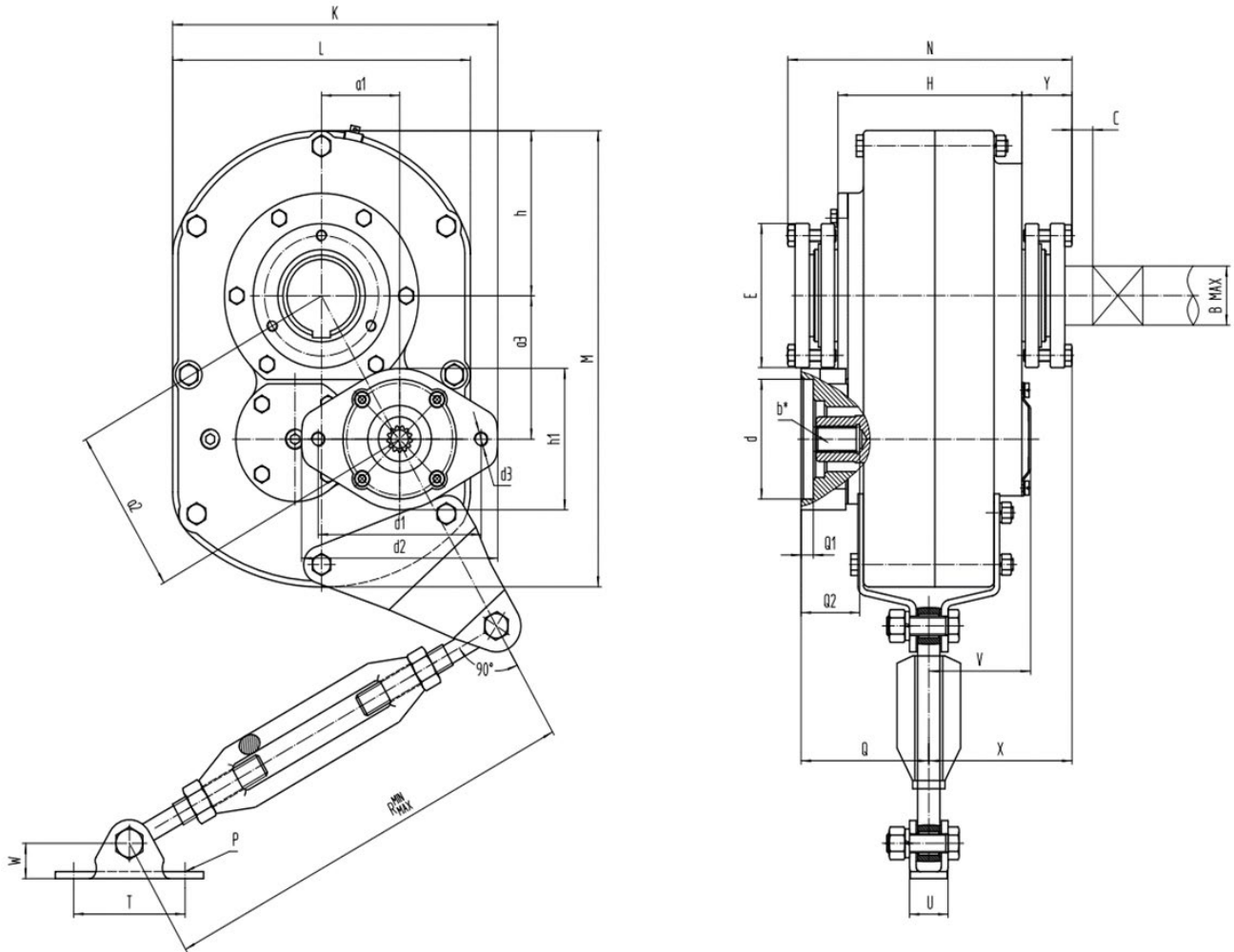
HYSMR Series: *Overhung Load Capacity of Output Shaft (lbs.)*

Box Size	Shaft Size	Output Speed (RPM)							
		10	20	30	50	80	100	120	140
3	1 15/16	5400	4250	2680	3050	2620	2440	2310	2210
	2 3/16	5240	4120	3570	2690	2540	2370	2240	2140
4	2 3/16	6520	5180	4510	3800	3230	3000	2830	2710
	2 7/16	6360	5060	4410	3710	3160	2930	2770	2640
5	2 7/16	7460	5860	5080	4280	3690	3450	3270	3110
	2 15/16	7060	5540	4800	4040	3490	3260	3090	2940

Motor Size	Displacement (in ³ /rev.)	Running Torque (in lb/100 psi)	Starting Torque (in lb/100 psi)	Flow Rate (gpm/100rpm)	Internal Leakage (gpm/1000 rpm)	Minimum Motor RPM
B30	3.58	51.3	46.2	1.6	1.5	100

HYSMR Series - Hydraulically Powered: Dimensions

1
SMR SERIES - THE ORIGINAL
SHAFT MOUNT REDUCERS



Reducer Model Number	K	M	B Max	C	E	W	X	Q	H	a1	a3	R Min R Max	P	b* Spline to fit SA 498b Flat Root Side Fit	d	Q1	h1	d2	d3
	L	N			G	U	V	Y		a2	h		T		Q	Q2	d1		
SMRY3-H	10.42	12.88	2-3/16"	1.50	4.38	1.06	4.52	4.34	5.63	2.33	4.17	26.94	0.44	"13 Tooth 16/32 DP 30°"	4.00	0.43	4.72	6.93	2*1/2"-13-UNC-2A
	9.25	9.22			2.34	1.25	3.30	1.59		4.78	4.84		32.94		3.00	4.34	2.07		
SMRY4-H	11.48	15.13	2-7/16"	1.75	4.81	1.75	4.79	5.57	6.13	2.76	4.79	29.19	0.50	"13 Tooth 16/32 DP 30°"	4.00	0.43	4.72	6.93	2*1/2"-13-UNC-2A
	10.38	9.98			3.44	1.44	3.41	1.72		5.53	5.50		35.19		4.00	4.51	2.07		
SMRY5-H	13.08	18.31	2-15/16"	1.81	5.63	1.75	5.05	5.74	6.31	3.04	5.67	29.19	0.50	"13 Tooth 16/32 DP 30°"	4.00	0.43	4.72	6.93	2*1/2"-13-UNC-2A
	13.13	10.52			3.44	1.44	4.45	1.91		6.43	6.56		35.19		4.00	4.69	2.07		

SMR Series - Selection Tables: Service Class I

Reducer Model Number	Requirements	Output Speed													
		10	15	20	25	30	35	40	45	50	55	60	65	70	75
HYSMR3-15/1	Output HP (Running)	1.8	2.6	3.4	4.3	5.1	5.9	6.8	7.4	8.1	8.7	9.4	10.0	10.7	11.4
	Running Torque (lb. in.)	11096	10892	10793	10730	10687	10660	10638	10378	10171	10003	9861	9740	9639	9549
	Starting Torque (lb. in.)	17185	17185	17185	17185	17185	17185	17185	17185	17185	17185	17185	17185	17185	17185
	Running Pressure (PSI)	1520	1495	1483	1473	1467	1463	1461	1425	1396	1375	1353	1337	1322	1311
	Flow Rate (GPM)	4.6	5.7	6.9	8.0	9.2	10.3	11.5	12.6	13.7	14.8	15.9	17.1	18.2	19.4
HYSMR4-15/1	Output HP (Running)	2.6	3.9	5.1	6.3	7.5	8.7	9.9	11.0	12.1	13.1	14.2	15.3	16.3	17.4
	Running Torque (lb. in.)	16675	16229	16005	15871	15783	15717	15669	15423	15227	15066	14932	14817	14721	14636
	Starting Torque (lb. in.)	17475	17475	17475	17475	17475	17475	17475	17475	17475	17475	17475	17475	17475	17475
	Running Pressure (PSI)	2250	2191	2162	2142	2130	2121	2115	2082	2056	2035	2016	2000	1987	1976
	Flow Rate (GPM)	5.7	6.8	8.0	9.1	10.3	11.4	12.6	13.7	14.9	16.0	17.2	18.3	19.5	20.7
HYSMR4-25/1	Output HP (Running)	2.6	3.9	5.1	6.3	7.5	8.7	9.9	11.0	12.1	13.1	14.2	15.3	16.3	17.4
	Running Torque (lb. in.)	16673	16229	16005	15871	15780	15717	15669	15425	15227	15066	14932	14818	14721	14636
	Starting Torque (lb. in.)	28160	28160	28160	28160	28160	28160	28160	28160	28160	28160	28160	28160	28160	28160
	Running Pressure (PSI)	1396	1360	1341	1330	1323	1317	1313	1292	1275	1262	1251	1241	1233	1226
	Flow Rate (GPM)	5.9	7.7	9.6	11.5	13.4	15.3	17.2	19.0	20.9	22.8	24.7	26.6	28.5	30.3
HYSMR5-15/1	Output HP (Running)	4.6	6.5	8.5	10.5	12.5	14.4	16.4	17.9	19.3	20.8	22.3	23.7	24.8	24.2
	Running Torque (lb. in.)	28750	27473	26835	26451	26196	26013	25876	25046	24380	23838	23383	23001	22329	20336
	Starting Torque (lb. in.)	31920	31920	31920	31920	31920	31920	31920	31920	31920	31920	31920	31920	31920	31920
	Running Pressure (PSI)	2125	2031	1983	1953	1936	1923	1913	1851	1800	1762	1728	1700	1650	1503
	Flow Rate (GPM)	10.0	11.9	13.9	16.0	18.1	20.2	22.3	24.3	26.3	28.4	30.5	32.5	34.6	36.3
HYSMR5-25/1	Output HP (Running)	4.6	6.5	8.5	10.5	12.5	14.4	16.4	17.9	19.3	20.8	22.3	23.7	24.8	24.2
	Running Torque (lb. in.)	28751	27472	26835	26451	26196	26013	25876	25046	24381	23838	23385	23001	22329	20336
	Starting Torque (lb. in.)	29525	29525	29525	29525	29525	29525	29525	29525	29525	29525	29525	29525	29525	29525
	Running Pressure (PSI)	2296	2195	2144	2115	2093	2079	2068	2001	1947	1905	1869	1838	1781	1625
	Flow Rate (GPM)	7.4	9.3	11.2	13.1	15.1	17.1	19.0	20.9	22.8	24.8	26.7	28.7	30.6	32.3

1
SMR SERIES - THE ORIGINAL
SHAFT MOUNT REDUCERS

Reducer Model Number	Requirements	Output Speed													
		80	85	90	95	100	105	110	115	120	125	130	135	140	
HYSMR3-15/1	Output HP (Running)	12.0	12.7	13.3	13.8	14.3	14.8	15.3	15.8	15.9	15.7	15.5	15.2	15.0	
	Running Torque (lb. in.)	9472	9400	9340	9171	9020	8882	8758	8641	8351	7916	7515	7095	6751	
	Starting Torque (lb. in.)	17185	17185	17185	17185	17185	17185	17185	17185	17075	16860	16660	16475	16305	
	Running Pressure (PSI)	1300	1291	1282	1259	1239	1219	1202	1185	1146	1087	1031	974	926	
	Flow Rate (GPM)	20.5	21.7	22.8	23.9	25.1	26.2	27.3	28.5	29.6	30.6	31.7	32.8	33.9	
HYSMR4-15/1	Output HP (Running)	18.5	19.6	20.6	21.5	22.0	21.5	21.0	20.5	20.0	19.5	19.0	18.5	18.0	
	Running Torque (lb. in.)	14563	14497	14440	14295	13866	12905	12032	11235	10503	9832	9210	8637	8102	
	Starting Torque (lb. in.)	17475	17475	17475	17475	17475	17475	17475	17475	17475	17475	17475	17475	17475	
	Running Pressure (PSI)	1966	1957	1949	1930	1872	1742	1625	1517	1418	1327	1244	1166	1095	
	Flow Rate (GPM)	21.8	23.0	24.1	25.3	26.4	27.4	28.4	29.4	30.4	31.5	32.5	33.6	34.7	
HYSMR4-25/1	Output HP (Running)	18.5	19.6												
	Running Torque (lb. in.)	14563	14496												
	Starting Torque (lb. in.)	28160	28160												
	Running Pressure (PSI)	1220	1213												
	Flow Rate (GPM)	32.2	34.1												
HYSMR5-15/1	Output HP (Running)	23.5	22.9	22.3	21.7	21.1	20.5	19.8	19.2	18.6	18.0				
	Running Torque (lb. in.)	18512	16980	15616	14396	13298	12305	11345	10522	9769	9075				
	Starting Torque (lb. in.)	31920	31920	31920	31920	31920	31920	31920	31920	31920	31920				
	Running Pressure (PSI)	1368	1255	1153	1062	983	909	838	778	722	671				
	Flow Rate (GPM)	38.1	40.0	41.8	43.8	45.7	47.7	49.6	51.6	53.6	55.6				
HYSMR5-25/1	Output HP (Running)	23.5													
	Running Torque (lb. in.)	18512													
	Starting Torque (lb. in.)	29525													
	Running Pressure (PSI)	1479													
	Flow Rate (GPM)	34.1													

Output HP - Horsepower rating of the reducer/motor under continuous operation after load has been started.
 Running Torque - Continuous output torque rating of reducer/motor (in. lbs.)
 Starting Torque - Momentary output torque available for starting (in. lbs.)
 Running Pressure - Motor pressure required to generate running torque. This will start loads not to exceed 75% of the running load.
 For greater starting requirements, motor pressure may be increased - see table (PSI).
 Flow Rate - Flow required for given output RPM. With oil viscosity of 200SUS @ 100°F. for B30 motors.

SMR Series - Selection Tables: Service Class II

SMR SERIES - THE ORIGINAL SHAFT MOUNT REDUCERS

Reducer Model Number	Requirements	Output Speed													
		10	15	20	25	30	35	40	45	50	55	60	65	70	75
HYSMR3-15/1	Output HP (Running)	1.3	1.9	2.4	3.0	3.6	4.2	4.8	5.3	5.8	6.2	6.7	7.2	7.6	8.1
	Running Torque (lb. in.)	7925	7781	7708	7665	7635	7614	7599	7413	7265	7145	7043	6957	6884	6820
	Starting Torque (lb. in.)	17185	17185	17185	17185	17185	17185	17185	17185	17185	17185	17185	17185	17185	17185
	Running Pressure (PSI)	1086	1068	1058	1052	1047	1045	1043	1018	997	981	967	955	945	936
	Flow Rate (GPM)	4.0	5.1	6.2	7.4	8.5	9.7	10.8	12.0	13.1	14.2	15.4	16.5	17.7	18.8
HYSMR4-15/1	Output HP (Running)	1.9	2.8	3.6	4.5	5.4	6.2	7.1	7.9	8.6	9.4	10.2	10.9	11.7	12.4
	Running Torque (lb. in.)	11910	11592	11432	11336	11272	11227	11192	11017	10876	10761	10665	10583	10515	10455
	Starting Torque (lb. in.)	17475	17475	17475	17475	17475	17475	17475	17475	17475	17475	17475	17475	17475	17475
	Running Pressure (PSI)	1606	1565	1543	1530	1522	1516	1511	1487	1467	1453	1440	1429	1419	1411
	Flow Rate (GPM)	4.8	5.9	7.0	8.2	9.4	10.5	11.7	12.8	14.0	15.2	16.3	17.5	18.6	19.8
HYSMR4-25/1	Output HP (Running)	1.9	2.8	3.6	4.5	5.4	6.2	7.1	7.9	8.6	9.4	10.2	10.9	11.7	12.4
	Running Torque (lb. in.)	11910	11592	11432	11336	11272	11227	11192	11018	10876	10761	10665	10584	10515	10455
	Starting Torque (lb. in.)	28160	28160	28160	28160	28160	28160	28160	28160	28160	28160	28160	28160	28160	28160
	Running Pressure (PSI)	996	971	958	950	945	941	938	923	911	902	894	887	881	876
	Flow Rate (GPM)	5.3	7.2	9.0	10.9	12.8	14.7	16.6	18.5	20.4	22.3	24.1	26.0	27.9	29.8
HYSMR5-15/1	Output HP (Running)	3.3	4.7	6.1	7.5	8.9	10.3	11.7	12.8	13.8	14.9	15.9	16.9	18.0	19.0
	Running Torque (lb. in.)	20536	19624	19168	18893	18711	18581	18483	17890	17415	17027	16703	16429	16195	15991
	Starting Torque (lb. in.)	31920	31920	31920	31920	31920	31920	31920	31920	31920	31920	31920	31920	31920	31920
	Running Pressure (PSI)	1517	1450	1417	1396	1383	1373	1366	1322	1287	1256	1235	1214	1197	1182
	Flow Rate (GPM)	8.4	10.3	12.4	14.5	16.6	18.7	20.9	22.9	25.0	27.1	29.1	31.2	33.3	35.5
HYSMR5-25/1	Output HP (Running)	3.3	4.7	6.1	7.5	8.9	10.3	11.7	12.8	13.8	14.9	15.9	16.9	18.0	19.0
	Running Torque (lb. in.)	20537	19625	19168	18895	18711	18581	18483	17890	17415	17027	16703	16429	16195	15991
	Starting Torque (lb. in.)	29525	29525	29525	29525	29525	29525	29525	29525	29525	29525	29525	29525	29525	29525
	Running Pressure (PSI)	1641	1566	1532	1510	1495	1483	1477	1430	1392	1361	1335	1313	1294	1278
	Flow Rate (GPM)	6.4	8.3	10.3	12.2	14.2	16.2	18.2	20.1	22.0	24.0	25.9	27.9	29.8	31.8

Reducer Model Number	Requirements	Output Speed													
		80	85	90	95	100	105	110	115	120	125	130	135	140	
HYSMR3-15/1	Output HP (Running)	8.6	9.1	9.5	9.9	10.2	10.6	10.9	11.3	11.6	11.9	12.3	12.6	12.9	
	Running Torque (lb. in.)	6765	6716	6672	6552	6443	6345	6256	6174	6099	6022	5951	5885	5825	
	Starting Torque (lb. in.)	17185	17185	17185	17185	17185	17185	17185	17185	17075	16860	16660	16475	16305	
	Running Pressure (PSI)	929	922	916	899	884	871	859	847	837	827	817	808	799	
	Flow Rate (GPM)	20.0	21.1	22.2	23.4	24.5	25.7	26.8	27.9	29.1	30.2	31.4	32.5	33.7	
HYSMR4-15/1	Output HP (Running)	13.2	14.0	14.7	15.4	16.1	16.7	17.4	18.0	18.7	19.2	19.0	18.5	18.0	
	Running Torque (lb. in.)	10402	10355	10312	10211	10118	10034	9957	9887	9823	9693	9211	8637	8103	
	Starting Torque (lb. in.)	17475	17475	17475	17475	17475	17475	17475	17475	17475	17475	17475	17475	17475	
	Running Pressure (PSI)	1403	1398	1392	1378	1366	1355	1344	1335	1326	1309	1244	1166	1095	
	Flow Rate (GPM)	21.0	22.1	23.3	24.5	25.6	26.8	28.0	29.1	30.3	31.4	32.5	33.6	34.7	
HYSMR4-25/1	Output HP (Running)	13.2	14.0												
	Running Torque (lb. in.)	10402	10353												
	Starting Torque (lb. in.)	28160	28160												
	Running Pressure (PSI)	871	867												
	Flow Rate (GPM)	31.7	33.6												
HYSMR5-15/1	Output HP (Running)	20.1	21.1	22.2	21.7	21.1	20.5	19.8	19.2	18.6	18.0				
	Running Torque (lb. in.)	15813	15656	15517	14396	13296	12305	11345	10522	9769	9075				
	Starting Torque (lb. in.)	31920	31920	31920	31920	31920	31920	31920	31920	31920	31920				
	Running Pressure (PSI)	1169	1157	1147	1064	983	909	836	778	722	671				
	Flow Rate (GPM)	37.6	39.7	41.8	43.8	45.7	47.7	49.6	51.6	53.6	55.6				
HYSMR5-25/1	Output HP (Running)	20.1													
	Running Torque (lb. in.)	15815													
	Starting Torque (lb. in.)	29525													
	Running Pressure (PSI)	1265													
	Flow Rate (GPM)	33.8													

Output HP - Horsepower rating of the reducer/motor under continuous operation after load has been started.
 Running Torque - Continuous output torque rating of reducer/motor (in. lbs.)
 Starting Torque - Momentary output torque available for starting (in. lbs.)
 Running Pressure - Motor pressure required to generate running torque. This will start loads not to exceed 75% of the running load.
 For greater starting requirements, motor pressure may be increased - see table (PSI).
 Flow Rate - Flow required for given output RPM. With oil viscosity of 200SUS @ 100°F. for B30 motors.

SMR Series - Selection Tables: Service Class III

Reducer Model Number	Requirements	Output Speed													
		10	15	20	25	30	35	40	45	50	55	60	65	70	75
HYSMR3-15/1	Output HP (Running)	0.9	1.3	1.7	2.1	2.5	3.0	3.4	3.7	4.0	4.4	4.7	5.0	5.4	5.7
	Running Torque (lb. in.)	5547	5446	5396	5365	5345	5330	5319	5189	5086	5001	4930	4870	4819	4774
	Starting Torque (lb. in.)	17185	17185	17185	17185	17185	17185	17185	17185	17185	17185	17185	17185	17185	17185
	Running Pressure (PSI)	762	747	741	736	734	732	730	712	698	686	677	668	661	655
	Flow Rate (GPM)	3.5	4.6	5.8	6.9	8.1	9.2	10.4	11.5	12.6	13.8	14.9	16.1	17.2	18.4
HYSMR4-15/1	Output HP (Running)	1.3	1.9	2.5	3.1	3.8	4.4	5.0	5.5	6.0	6.6	7.1	7.6	8.2	8.7
	Running Torque (lb. in.)	8339	8115	8002	7935	7891	7859	7835	7712	7613	7533	7466	7409	7360	7318
	Starting Torque (lb. in.)	17475	17475	17475	17475	17475	17475	17475	17475	17475	17475	17475	17475	17475	17475
	Running Pressure (PSI)	1126	1095	1081	1071	1065	1061	1058	1043	1028	1017	1008	1000	994	988
	Flow Rate (GPM)	4.1	5.2	6.3	7.5	8.7	9.8	11.0	12.2	13.3	14.5	15.7	16.8	18.0	19.2
HYSMR4-25/1	Output HP (Running)	1.3	1.9	2.5	3.1	3.8	4.4	5.0	5.5	6.0	6.6	7.1	7.6	8.2	8.7
	Running Torque (lb. in.)	8338	8113	8002	7935	7891	7859	7835	7712	7613	7533	7466	7409	7360	7318
	Starting Torque (lb. in.)	28160	28160	28160	28160	28160	28160	28160	28160	28160	28160	28160	28160	28160	28160
	Running Pressure (PSI)	699	683	670	665	661	659	656	646	638	631	625	621	617	613
	Flow Rate (GPM)	4.9	6.7	8.6	10.5	12.4	14.3	16.2	18.1	20.0	21.8	23.7	25.6	27.5	29.4
HYSMR5-15/1	Output HP (Running)	2.3	3.3	4.3	5.2	6.2	7.2	8.2	8.9	9.7	10.4	11.1	11.9	12.6	13.3
	Running Torque (lb. in.)	14375	13737	13417	13226	13099	13007	12938	12523	12191	11919	11692	11501	11336	11193
	Starting Torque (lb. in.)	31920	31920	31920	31920	31920	31920	31920	31920	31920	31920	31920	31920	31920	31920
	Running Pressure (PSI)	1065	1015	992	978	968	961	956	926	903	881	865	850	838	827
	Flow Rate (GPM)	7.1	9.2	11.3	13.4	15.5	17.6	19.8	21.9	23.9	26.0	28.2	30.3	32.4	34.5
HYSMR5-25/1	Output HP (Running)	2.3	3.3	4.3	5.2	6.2	7.2	8.2	8.9	9.7	10.4	11.1	11.9	12.6	13.3
	Running Torque (lb. in.)	14376	13737	13417	13225	13098	13007	12938	12523	12191	11919	11692	11501	11336	11193
	Starting Torque (lb. in.)	29525	29525	29525	29525	29525	29525	29525	29525	29525	29525	29525	29525	29525	29525
	Running Pressure (PSI)	1147	1098	1072	1057	1046	1039	1034	1001	975	952	934	919	906	895
	Flow Rate (GPM)	5.7	7.6	9.6	11.5	13.5	15.5	17.5	19.4	21.4	23.3	25.3	27.3	29.2	31.2

Reducer Model Number	Requirements	Output Speed												
		80	85	90	95	100	105	110	115	120	125	130	135	140
HYSMR3-15/1	Output HP (Running)	6.0	6.3	6.7	6.9	7.2	7.4	7.6	7.9	8.1	8.4	8.6	8.8	9.1
	Running Torque (lb. in.)	4735	470	4671	4586	4510	4441	4379	4322	4270	4216	4166	4119	4077
	Starting Torque (lb. in.)	17185	17185	17185	17185	17185	17185	17185	17185	17075	16860	16660	16475	16305
	Running Pressure (PSI)	650	645	641	630	619	610	601	593	586	579	572	565	560
	Flow Rate (GPM)	19.5	20.7	21.8	23.0	24.1	25.3	26.4	27.6	28.7	29.9	31.0	32.2	33.3
HYSMR4-15/1	Output HP (Running)	9.2	9.8	10.3	10.8	11.2	11.7	12.2	12.6	13.1	13.5	13.8	14.2	14.6
	Running Torque (lb. in.)	7281	7249	7220	7147	7082	7025	6970	6921	6876	6785	6701	6623	6550
	Starting Torque (lb. in.)	17475	17475	17475	17475	17475	17475	17475	17475	17475	17475	17475	17475	17475
	Running Pressure (PSI)	983	979	975	965	956	948	941	934	928	916	905	894	885
HYSMR4-25/1	Output HP (Running)	9.2	9.8											
	Running Torque (lb. in.)	7281	7250											
	Starting Torque (lb. in.)	28160	28160											
HYSMR5-15/1	Output HP (Running)	14.1	14.8	15.5	16.1	16.6	17.2	17.7	18.2	18.6	18.0			
	Running Torque (lb. in.)	11069	10959	10862	10653	10466	10296	10141	10000	9769	9076			
	Starting Torque (lb. in.)	31920	31920	31920	31920	31920	31920	31920	31920	31920	31920			
	Running Pressure (PSI)	818	810	803	787	774	761	750	739	722	671			
HYSMR5-25/1	Output HP (Running)	14.1												
	Running Torque (lb. in.)	11069												
	Starting Torque (lb. in.)	29525												
	Running Pressure (PSI)	885												
HYSMR5-25/1	Flow Rate (GPM)	33.2												

Output HP - Horsepower rating of the reducer/motor under continuous operation after load has been started.
 Running Torque - Continuous output torque rating of reducer/motor (in. lbs.)
 Starting Torque - Momentary output torque available for starting (in. lbs.)
 Running Pressure - Motor pressure required to generate running torque. This will start loads not to exceed 75% of the running load.
 For greater starting requirements, motor pressure may be increased - see table (PSI).
 Flow Rate - Flow required for given output RPM. With oil viscosity of 200SUS @ 100°F. for B30 motors.

1
SMR SERIES - THE ORIGINAL
SHAFT MOUNT REDUCERS

SCSMR Series - The Eliminator Shaft Mount Reducers: Product Overview

Product Specifications

- 9:1, 15:1 and 25:1 ratios
- Box sizes 2 - 10
- Box sizes 2-6 are suitable for screw conveyor applications
- Tapered bushing type (bushing not included)
- Premium quality ball and tapered bearings - double lip seals
- Shafts and gears manufactured from high grade steel, case hardened and precision ground to A.G.M.A. standards
- Industrial grade all-cast iron housings protect gearing for life
- Extended gear centers and tooth contact
- Metal reinforced double lip, spring loaded oil seals
- Dimensional drop-in for all major makes
- Torque arm included
- 2 year warranty

Box Size	Ratio	Output Bore (Max.)	Approx. Wt. (lbs.)	Model Number	List Price
2	9:1	1-15/16"	68	SCSMR2-9/1	\$1,289.91
	15:1			SCSMR2-15/1	
	25:1			SCSMR2-25/1	
3	9:1	2-3/16"	106	SCSMR3-9/1	\$2,291.18
	15:1			SCSMR3-15/1	
	25:1			SCSMR3-25/1	
4	9:1	2-7/16"	156	SCSMR4-9/1	\$3,098.95
	15:1			SCSMR4-15/1	
	25:1			SCSMR4-25/1	
5	9:1	2-15/16"	204	SCSMR5-9/1	\$4,654.05
	15:1			SCSMR5-15/1	
	25:1			SCSMR5-25/1	
6	9:1	3-7/16"	314	SCSMR6-9/1	\$6,081.19
	15:1			SCSMR6-15/1	
	25:1			SCSMR6-25/1	
7	15:1	3-15/16"	487	SCSMR7-15/1	\$9,704.40
	25:1			SCSMR7-25/1	
	15:1			SCSMR8-15/1	
25:1	SCSMR8-25/1				
9	15:1	4-15/16"	783	SCSMR9-15/1	\$21,643.05
	25:1			SCSMR9-25/1	
	15:1			SCSMR10-15/1	
25:1	SCSMR10-25/1				



Screw Conveyors Drive Shafts and Flanges for the Eliminator Series are shown on Page 21.

SCSMR Series: Overhung Load Capacity of Output Shaft (lbs.)

Box Size	Shaft Size (inches)	Output Speed (RPM)									
		10	20	30	40	50	60	80	100	120	140
2	1 7/16	2416	1918	1675	1522	1413	1330	1208	1121	1055	1003
	1 15/16	2202	1748	1527	1387	1288	1212	1101	1022	962	914
3	1 15/16	4336	3520	3120	2856	2672	2536	2320	2176	2056	1960
	2 3/16	4176	3392	3008	2760	2576	2440	2240	2096	1984	1896
4	2 3/16	6024	4896	4336	3976	3720	3520	3232	3016	2856	2728
	2 7/16	5832	4736	4192	3848	3600	3408	32158	2920	2768	2640
5	2 7/16	6272	5096	4512	4136	3872	3664	3360	144	2976	2840
	2 15/16	5928	4816	4264	3912	3656	3464	3176	2968	2816	2688
6	2 15/16	7408	6016	5328	4888	4568	4328	3968	3712	3512	3360
	3 7/16	7064	5736	5080	4664	4360	4128	3784	3544	3352	3200
7	3 7/16	5968	4848	4296	3936	3688	3488	3200	2992	2832	2704
	3 15/16	5736	4656	4120	3784	3536	3352	3072	2872	2720	2600
8	3 15/16	7472	6072	5376	4928	4608	4368	4008	3744	3544	3384
	4 7/16	7208	5826	5184	4760	4448	4208	3864	3616	3424	3264
9	4 7/16	9032	7336	6496	5960	5576	5272	4840	4528	4288	4088
	4 15/16	8744	7104	6288	5768	5400	5112	4688	4384	4152	3960
10	5 7/16	11134	8161	7588	7181	6828	6607	6145	5881	5660	-

SCSMR Series: Mechanical Ratings

Reducer Model Number	Service Class I			Service Class II			Service Class III		
	Power (HP)	Output (RPM)	Output * Torque	Power (HP)	Output (RPM)	Output * Torque	Power (HP)	Output (RPM)	Output * Torque
SCSMR2-9/1	7.5	85-105	5035-4076	5	85-105	3357-2717	3	85-100	2014-1712
	10	105-150	5435-3804	7.5	110-150	3891-2853	5	105-150	2717-1902
	15	160-200	5350-4280	10	150-200	3804-2853	7.5	160-200	2675-2140
SCSMR2-15/1	2	16-24	7065-4710	1.5	18-24	4710-3532	1.5	26-34	3261-2493
	3	26-45	6521-3768	2	24-34	4710-3324	2	38-58	2975-1949
	5	46-74	6143-3819	3	38-70	4462-2422	3	58-100	2923-1695
	7.5	78-105	5434-4037	5	70-105	4037-2691	5	105-140	2691-2018
	10	105-140	5382-4037	7.5	110-140	3853-3028			
SCSMR2-25/1	0.5	4-6	7065-4710	0.33	4-5	4663-3730	0.25	4-5	3532-2826
	0.75	6-8	7065-5298	0.5	6-8	4710-3532	0.33	6-8	3108-2331
	1	8-10	7065-5652	0.75	8-12	5298-3532	0.5	8-12	3532-2355
	1.5	12-16	7065-5298	1	12-16	4710-3532	0.75	12-16	3532-2649
	2	16-24	7065-4710	1.5	18-24	4710-3532	1	16-24	3532-2355
	3	26-45	6521-3768	2	24-34	4710-3324	1.5	26-34	3261-2493
	5	46-74	6143-3819	3	38-70	4462-2422	2	38-58	2975-1949
	7.5	78-85	5434-4987	5	70-85	4037-3324	3	58-85	2923-1995
SCSMR3-9/1	10	85-105	6714-5435	7.5	85-105	5035-4076	5	85-105	3357-2717
	15	110-140	7782-6114	10	100-140	5707-4076	7.5	110-140	3891-3057
	20	150-200	7609-5707	15	150-200	5707-4280	10	150-200	3804-2853
SCSMR3-15/1	3	28-30	6055-5652	2	16-24	7065-4710	2	24-38	4710-2975
	5	32-50	8831-5652	3	26-46	6521-3686	3	40-70	4239-2422
	7.5	52-74	8151-5728	5	50-74	5652-3819	5	74-105	3819-2691
	10	78-105	7246-5382	7.5	78-105	5434-4037	7.5	110-140	3853-3028
	15	110-140	7707-6055	10	100-140	5652-4037	-	-	-
SCSMR3-25/1	0.75	4-5	10597-8477	0.5	4-5	7065-5652	0.5	6-7	4710-4037
	1	6-7	9419-8074	0.75	6-7	7065-6055	0.75	8-10	5298-4239
	1.5	8-10	10597-8477	1	8-10	7065-5652	1	10-16	5652-3532
	2	12-16	9419-7065	1.5	12-16	7065-5298	1.5	18-24	4710-3532
	3	18-30	9419-5652	2	16-24	7065-4710	2	24-38	4710-2975
	5	32-50	8831-5652	3	26-46	6521-3686	3	40-70	4239-2422
	7.5	52-74	8151-5728	5	50-74	5652-3819	5	74-85	3819-3324
	10	78-85	7246-6649	7.5	78-85	5434-4987	-	-	-
SCSMR4-9/1	20	85-105	13427-10870	15	85-115	10071-7443	10	85-115	6714-4962
	25	100-135	14267-10568	20	110-150	10376-7609	15	120-150	7133-5707
	30	120-160	14267-10700	25	140-190	10190-7509	20	160-200	7133-5707
	40	160-200	14267-11413	30	170-200	10700-8560	-	-	-
SCSMR4-15/1	5	18-24	15699-11774	3	14-22	12111-7707	3	20-34	8477-4987
	7.5	26-34	16303-12467	5	24-34	11774-8311	5	38-54	7436-5233
	10	38-54	14873-10466	7.5	38-54	11154-7849	7.5	58-80	7308-5298
	15	58-80	14616-10597	10	54-80	10466-7065	10	80-140	7065-4037
	20	80-110	14219-10276	15	85-115	9973-7372	-	-	-
SCSMR4-25/1	25	100-140	14129-10092	20	110-140	10276-8074	-	-	-
	1	4-5	14129-11303	0.75	4-5	10597-8477	0.5	4-5	7065-5652
	1.5	5-7	16955-12111	1	5-6	11303-9419	0.75	5-6	8477-7065
	2	6-8	18839-14129	1.5	6-8	14129-10597	1	6-8	9419-7065
	3	10-14	16955-12111	2	10-12	11303-9419	1.5	10-12	8477-7065
	5	16-24	17661-11774	3	14-22	12111-7707	2	14-18	8074-6280
	7.5	26-34	16303-12467	5	24-34	11774-8311	3	20-34	8477-4987
	10	38-54	14873-10466	7.5	38-54	11154-7849	5	38-54	7436-5233
	15	58-80	14616-10597	10	54-85	10466-6649	7.5	58-85	7308-4987
	20	80-85	14129-13298	-	-	-	-	-	-
SCSMR5-9/1	25	78-95	18291-15018	20	78-105	14632-10870	10	78-80	7316-7133
	30	85-115	20141-14887	25	100-135	14267-10568	15	85-105	10071-8152
	40	110-150	20752-15218	30	120-160	14267-10700	20	110-135	10376-8454
	50	140-180	20381-15852	40	160-200	14267-11413	25	140-160	10190-8917
	60	170-200	20141-17120	-	-	-	30	170-200	10071-14267

1
SCSMR SERIES - THE ELIMINATOR
SHAFT MOUNT REDUCERS

* All output torque ratings listed in inch-pounds (Data Revised 03.18.2022)

Continued On Next Page

Section 1: Shaft Mount Reducers

SCSMR Series - The Eliminator Shaft Mount Reducers



SCSMR Series: Mechanical Ratings (Continued)

SCSMR SERIES - THE ELIMINATOR SHAFT MOUNT REDUCERS

Reducer Model Number	Service Class I			Service Class II			Service Class III		
	Power (HP)	Output (RPM)	Output * Torque	Power (HP)	Output (RPM)	Output * Torque	Power (HP)	Output (RPM)	Output * Torque
SCSMR5-15/1	7.5	22-24	19267-17661	7.5	24-34	17661-12467	5	24-34	11774-8311
	10	24-34	23548-16622	10	38-54	14873-10466	7.5	38-52	11154-8151
	15	38-54	22309-15699	15	58-80	14616-10597	10	54-80	10466-7065
	20	54-78	20932-14491	20	78-110	14491-10276	15	85-110	9973-7707
	25	70-95	20184-14873	25	100-125	14129-11303	20	110-125	10276-9043
	30	85-115	19947-14743	-	-	-	-	-	-
	40	110-125	20551-18085	-	-	-	-	-	-
SCSMR5-25/1	2	4-5	28258-22606	1.5	4-5	21194-16955	1	4-5	14129-11303
	3	6-8	28258-21194	2	5-6	22606-18839	1.5	6-7	14129-12111
	5	10-14	28258-20184	3	8-14	21194-12111	2	8-12	14129-9419
	7.5	16-24	26492-17661	5	16-24	17661-11774	3	14-22	12111-7707
	10	24-34	23548-16622	7.5	24-34	17661-12467	5	24-34	11774-8311
	15	38-54	22309-15699	10	38-54	14873-10466	7.5	38-52	11154-8151
	20	54-78	20932-14491	15	58-80	14616-10597	10	54-78	10466-7246
SCSMR6-9/1	50	78-105	36581-27175	30	78-90	21949-19022	25	78-95	18291-15018
	60	95-125	36042-27392	40	90-120	25363-19022	30	95-120	18021-14267
	75	120-200	35667-21400	50	110-150	25939-19022	40	125-150	18261-15218
	-	-	-	60	130-180	26338-19022	50	160-200	17833-14267
	-	-	-	75	160-200	26750-21400	60	190-200	18021-17120
SCSMR6-15/1	15	20-26	42387-32605	10	18-26	31398-21737	7.5	20-24	21194-17661
	20	26-38	43474-29745	15	28-40	30276-21194	10	26-40	21737-14129
	25	34-50	41556-28258	20	40-58	28258-19488	15	45-58	18839-14616
	30	45-62	37677-27346	25	52-78	27171-18114	20	62-74	18231-15275
	40	62-85	36462-26596	30	66-90	25689-18839	25	78-95	18114-14873
	50	78-105	36228-26912	40	90-120	25118-18839	30	95-125	17847-13564
	60	95-125	35694-27128	-	-	-	-	-	-
SCSMR6-25/1	3	4-5	42387-33910	2	4-5	28258-22606	1.5	4-5	21194-16955
	5	6-8	47097-35323	3	6-8	28258-21194	2	6-7	18839-16147
	7.5	10-12	42387-35323	5	10-12	28258-23548	3	8-12	21194-14129
	10	14-18	40369-31398	7.5	14-18	30276-23548	5	14-18	20184-15699
	15	20-26	42387-32605	10	18-26	31398-21737	7.5	20-24	21194-17661
	20	26-38	43474-29745	15	28-40	30276-21194	10	26-40	21737-14129
	25	34-50	41556-28258	20	40-58	28258-19488	15	45-58	18839-14616
	30	45-62	37677-27346	25	52-78	27171-18114	20	62-70	18231-16147
	40	62-80	36462-28258	30	66-78	25689-21737	-	-	-
SCSMR7-15/1	20	18-22	62796-51378	20	26-34	43474-33245	10	16-24	35323-23548
	25	22-30	64223-47097	25	32-46	44153-30715	15	26-34	32605-24934
	30	26-38	65211-44618	30	40-58	42387-29232	20	38-46	29745-24572
	40	38-54	59491-41864	40	58-80	38977-28258	25	50-62	28258-22789
	50	50-74	56516-38187	50	74-100	38188-28259	30	62-80	27346-21194
	60	62-85	54696-39896	60	90-115	37679-29488	40	85-100	26596-22607
	75	90-115	47099-36860	-	-	-	50	105-115	26914-24573
SCSMR7-25/1	5	4-5	70645-56516	3	4-5	42387-33910	3	5-7	33910-24221
	7.5	6-7	70645-60553	5	6-7	47097-40369	5	8-10	35323-28258
	10	8-10	70645-56516	7.5	8-10	52984-42387	7.5	12-14	35323-30276
	15	12-16	70645-52984	10	12-16	47097-35323	10	16-24	35323-23548
	20	16-22	70645-51378	15	18-26	47097-32605	15	26-34	32605-24934
	25	22-30	64223-47097	20	24-34	47097-33245	20	38-46	29745-24572
	30	26-38	65211-44618	25	32-46	44153-30715	25	50-62	28258-22789
	40	38-54	59491-41864	30	40-58	42387-29232	30	62-80	27346-21195
	50	50-74	56516-38187	40	58-74	38977-30549	-	-	-
60	62-80	54696-42389	50	74-80	38188-35324	-	-	-	

* All output torque ratings listed in inch-pounds (Data Revised 03.18.2022)

Continued On Next Page

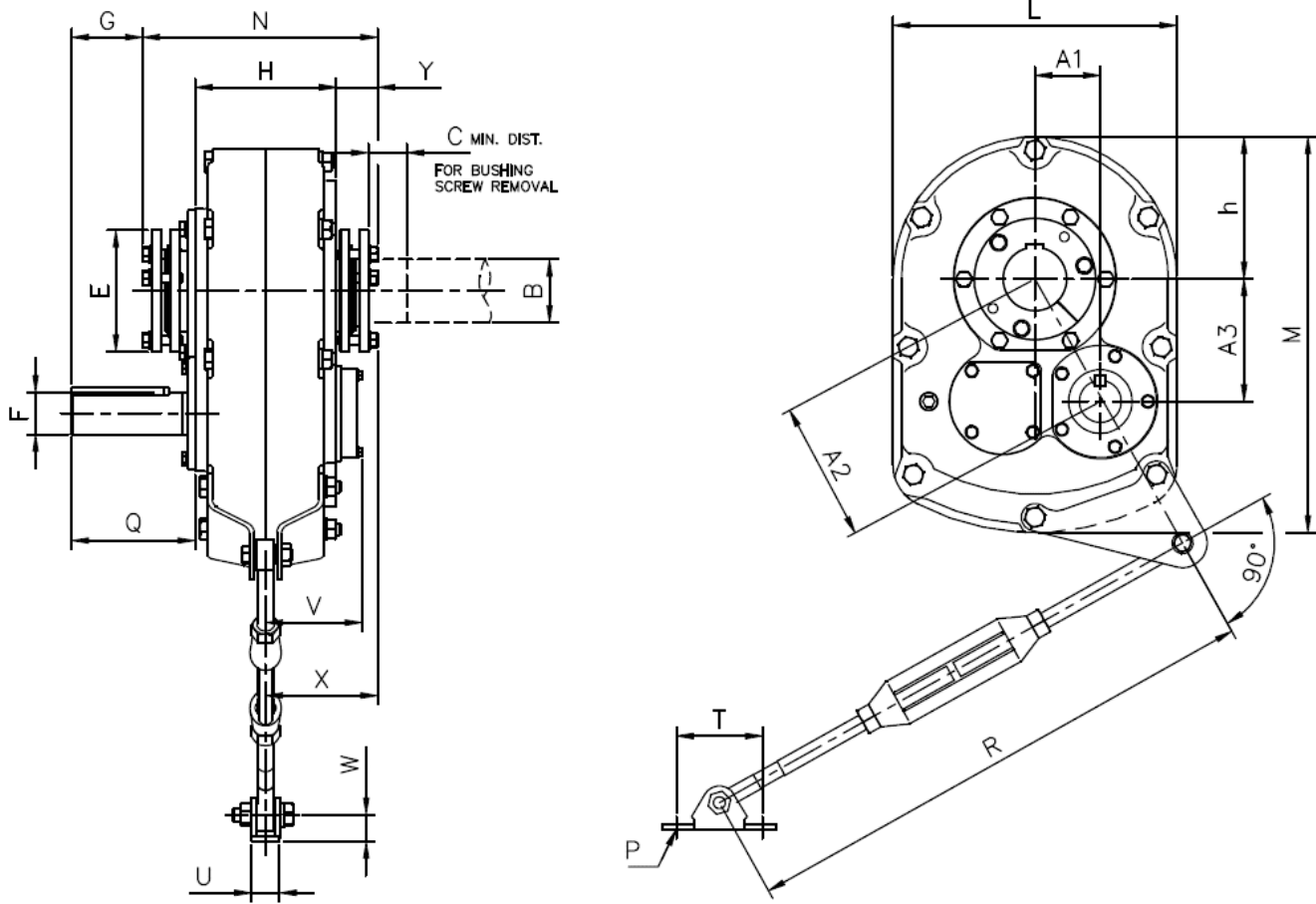
SCSMR Series: Mechanical Ratings (Continued)

Reducer Model Number	Service Class I			Service Class II			Service Class III		
	Power (HP)	Output (RPM)	Output * Torque	Power (HP)	Output (RPM)	Output * Torque	Power (HP)	Output (RPM)	Output * Torque
SCSMR8-15/1	40	20-30	113032-75355	25	20-26	70645-54342	15	18-20	47097-42387
	50	28-40	100922-70645	30	22-32	77067-52984	20	20-26	56516-43474
	60	34-46	99734-73717	40	32-46	70645-49144	25	28-34	50461-41556
	75	45-70	94193-60553	50	40-58	70645-48721	30	34-46	49867-36858
	100	62-85	91159-66493	60	50-74	67819-45824	40	50-58	45213-38977
	125	80-125	88310-56519	75	66-90	64223-47099	50	62-78	45577-36228
	-	-	-	100	90-125	62799-45215	60	78-95	43474-35696
SCSMR8-25/1	-	-	-	-	-	-	75	95-125	44620-33911
	7.5	4-5	105968-84774	5	4-5	70645-56516	3	4-5	42387-33910
	10	6-7	94193-80737	7.5	6-7	70645-60553	5	5-7	56516-40369
	15	8-9	105968-94193	10	8-9	70645-62796	7.5	7-9	60553-47097
	20	10-12	113032-94193	15	10-14	84774-60553	10	10-14	56516-40369
	25	12-16	117742-88306	20	14-20	80737-56516	15	16-20	52984-42387
	30	16-20	105968-84774	25	18-26	78495-54342	20	20-26	56516-43474
	40	20-30	113032-75355	30	22-32	77067-52984	25	28-34	50461-41556
	50	28-40	100922-70645	40	32-46	70645-49144	30	34-46	49867-36858
	60	34-46	99734-73717	50	40-58	70645-48721	40	50-58	45213-38977
	75	45-70	94193-60553	60	50-74	67819-45824	50	62-80	45577-35324
100	62-80	91159-70648	75	66-80	64223-52986	-	-	-	
SCSMR9-15/1	50	18-26	156989-108685	30	20-22	84774-77067	25	18-22	78495-64223
	60	22-32	154135-105968	40	22-30	102757-75355	30	22-30	77067-56516
	75	30-45	141290-94198	50	28-40	100922-70645	40	32-40	70645-56516
	100	45-58	125597-97449	60	34-50	99734-67819	50	45-52	62796-54342
	125	54-80	130830-88310	75	45-66	94193-64226	60	52-66	65211-42387
	150	70-125	121111-67822	100	62-90	91159-62799	75	70-90	60556-47099
	-	-	-	125	85-125	83116-56519	100	95-125	59493-45215
SCSMR9-25/1	15	5-6	169548-141290	7.5	4-5	105968-84774	5	4-5	70645-56516
	20	6-8	188387-141290	10	4-6	141290-94193	7.5	5-6	84774-70645
	25	8-10	176613-141290	15	8-9	105968-94193	10	6-8	94193-70645
	30	10-14	169548-121106	20	10-12	113032-94193	15	10-12	84774-70645
	40	14-20	161475-113032	25	12-16	117742-88306	20	14-16	80737-70645
	50	18-26	156989-108685	30	16-22	105968-77067	25	18-22	78495-64223
	60	22-32	154135-105968	40	22-30	102757-75355	30	22-30	77067-56516
	75	30-45	141290-94198	50	28-40	100922-70645	40	32-40	70645-56516
	100	45-62	125597-91159	60	34-50	99734-67819	50	45-52	62796-54342
	125	54-78	130830-90575	75	45-62	94193-68369	60	52-66	65211-51381
	-	-	-	100	62-78	91159-72460	75	70-78	60556-54345
SCSMR10-15/1	75	18-22	235495-192677	60	18-26	188396-130428	40	18-24	125597-94198
	100	24-32	235495-176621	75	24-34	176621-124674	50	24-32	117747-88310
	125	30-40	235495-176621	100	34-50	166231-113037	60	28-40	121111-84778
	150	38-54	223100-156996	125	45-62	156996-113949	75	38-54	111550-78498
	200	52-125	217380-90430	150	58-80	146169-105973	100	52-74	108690-76377
	-	-	-	200	78-125	144920-90430	125	70-95	100926-74367
	-	-	-	-	-	-	150	85-125	99739-67822
SCSMR10-25/1	25	5-6	299899-235495	15	4-6	211945-141297	10	4-6	141297-94198
	30	6-8	282593-211945	20	6-8	188396-141297	15	6-8	141297-105973
	40	8-10	282593-226075	25	8-10	176621-141297	20	8-10	141297-113037
	50	10-14	282593-201852	30	10-12	169556-141297	25	10-14	141297-100926
	60	12-16	282593-211945	40	12-16	188396-141297	30	12-18	141297-94198
	75	16-22	264931-192677	50	16-20	176621-141297	40	18-24	125597-94198
	100	24-32	235495-176621	60	18-26	188396-130428	50	24-32	117747-88310
	125	30-40	235495-176621	75	24-34	176621-124674	60	28-40	121111-84778
	150	38-54	223100-156996	100	34-50	166231-113037	75	38-54	111550-78498
	200	52-78	217380-144920	125	45-62	156996-113949	100	52-78	108690-72460
	-	-	-	150	58-78	146169-108690	-	-	-

* All output torque ratings listed in inch-pounds (Data Revised 03.18.2022)

SCSMR Series - The Eliminator Shaft Mount Reducers: *Dimensions*

1
SCSMR SERIES - THE ELIMINATOR
SHAFT MOUNT REDUCERS



All listed dimensions in inches															
Box Size	L M	N	F Key	B Max.	C	E G	W U	X V	Q Y	H	A1 A2	A3 h	R Min. R Max.	P T	
2	8.39	7.44	1-1/8	1-15/16	1.25	4.06	1.06	3.74	3.58	4.57	2.13	3.76	26.94	0.51	
	11.42		1/4x1/8x2-5/8			2.15	1.10	2.87	1.44		4.32	4.09	32.94	3.00	
3	9.25	9.36	1-1/4	2-3/16	1.5	4.37	1.06	4.72	4.33	5.63	2.34	4.17	26.94	0.51	
	12.87		1/4x1/8x2-15/16			2.31	1.10	3.49	1.70		4.78	4.84	32.94	3.00	
4	10.39	10.29	1-7/16	2-7/16	1.75	4.81	1.23	5.20	5.40	6.38	2.76	4.79	29.19	0.67	
	15.16		3/8x3/16x4			3.26	1.34	4.03	1.78		5.53	5.50	35.19	4.00	
5	13.15	10.89	1-15/16	2-15/16	1.81	5.63	1.23	5.19	5.72	6.54	3.03	5.67	29.19	0.67	
	18.31		1/2x1/4x4-1/2			3.29	1.34	4.47	1.92		6.43	6.57	35.19	4.00	
6	15.12	11.76	2-3/16	3-7/16	1.81	6.12	2.00	5.79	6.03	7.36	4.08	6.73	29.19	0.67	
	21.34		1/2x1/4x4-1/2			3.58	2.75	5.24	1.94		7.87	7.56	35.19	4.75	
7	18.74	13.35	2-7/16	3-15/16	2.06	7.24	2.00	6.71	6.34	7.36	5.10	8.30	29.44	0.67	
	25.94		5/8x5/16x4-3/4			3.35	2.75	4.57	3.01		9.74	9.37	35.44	4.75	
8	20.24	14.56	2-7/16	4-7/16	2.06	7.80	3.15	7.35	7.11	8.46	6.03	9.50	30.00	0.83	
	28.27		5/8x5/16x5-3/8			4.07	4.02	5.89	3.06		11.25	10.12	36.00	7.00	
9	22.64	14.74	2-7/16	4-15/16	2.44	8.66	3.15	7.51	9.65	8.27	6.59	10.81	30.00	0.83	
	31.69		5/8x5/16x7-3/4			6.50	4.02	6.13	3.33		12.66	11.32	36.00	7.00	
10	25.76	15.69	2-11/16	5-7/16	2.44	10.12	3.15	7.86	10.26	9.45	6.59	12.5	29.92	0.83	
	34.96		5/8x5/8x8			7.14	3.5	6.9	3.12		14.13	12.94	36.22	7.00	

Dimensions shown in this catalog are for general use only.
For an exact drawing on a specific rating, please contact our sales office.

Shaft Mount Reducers: *Competitive Interchanges*

9:1 Ratio

WorldWide Electric	Dodge	Hub City	Browning	Cleveland Gear
SCSMR2-9/1	TXT209AT	PT2115S09	115SMTP09	CGUSM2-09
SCSMR3-9/1	TXT309AT	PT3203S09	203SMTP09	CGUSM3-09
SCSMR4-9/1	TXT409AT	PT4207S09	207SMTP09	CGUSM4-09
SCSMR5-9/1	TXT509AT	PT5215S09	215SMTP09	CGUSM5-09
SCSMR6-9/1	TXT609AT	PT6307S09	307SMTP09	CGUSM6-09

15:1 Ratio

WorldWide Electric	Dodge	Hub City	Browning	Cleveland Gear
SMR2-15/1 SCSMR2-15/1	TXT215AT	PT2115S15	115SMTP15	CGUSM2-15
SMR3-15/1 SCSMR3-15/1	TXT315AT	PT3203S15	203SMTP15	CGUSM3-15
SMR4-15/1 SCSMR4-15/1	TXT415AT	PT4207S15	207SMTP15	CGUSM4-15
SMR5-15/1 SCSMR5-15/1	TXT515AT	PT5215S15	215SMTP15	CGUSM5-15
SMR6-15/1 SCSMR6-15/1	TXT615AT	PT6307S15	307SMTP15	CGUSM6-15
SMR7-15/1 SCSMR7-15/1	TXT715AT	PT7315S15	315SMTP15	CGSM7- 15
SMR8-15/1 SCSMR8-15/1	TXT815AT	PT8407S15	407SMTP15	CGSM8-15
SMR9-15/1 SCSMR9-15/1	TXT915AT	PT9415S15	415SMTP15	CGSM9-15
SMR10-15/1 SCSMR10-15/1	TXT1015AT	PT10507S15	507SMT15	CGSM10-15
SMR12-15/1	TXT1215TV	-	608SMTP15	-

25:1 Ratio

WorldWide Electric	Dodge	Hub City	Browning	Cleveland Gear
SMR2-25/1 SCSMR2-25/1	TXT225AT	PT2115S25	115SMTP25	CGUSM2-25
SMR3-25/1 SCSMR3-25/1	TXT325AT	PT3203S25	203SMTP25	CGUSM3-25
SMR4-25/1 SCSMR4-25/1	TXT425AT	PT4207S25	207SMTP25	CGUSM4-25
SMR5-25/1 SCSMR5-25/1	TXT525AT	PT5215S25	215SMTP25	CGUSM5-25
SMR6-25/1 SCSMR6-25/1	TXT625AT	PT6307S25	307SMTP25	CGUSM6-25
SMR7-25/1 SCSMR7-25/1	TXT725AT	PT7315S25	315SMTP25	CGSM7-25
SMR8-25/1 SCSMR8-25/1	TXT825AT	PT8407S25	407SMTP25	CGSM8-25
SMR9-25/1 SCSMR9-25/1	TXT925AT	PT9415S25	415SMTP25	CGSM9-25
SMR10-25/1	TXT1025AT	PT10507S25	507SMT25	CGSM10-25
SMR12-25/1	TXT1225TV	-	-	-

Shaft Mount Reducers: Accessories and Parts

Backstop Assemblies

- Easy mount for WorldWide shaft mount reducers
- Smooth forward operation of conveyor with no backslip



* Suitable for use in WorldWide Electric shaft mount reducers only. Backstop assemblies are considered safety devices and therefore are not suitable for substitution into other manufacturer's gearboxes.

Box Size	SMR Model Number	SCSMR / WSMR Model Number	List Price
2	SMR2BSK	SCSMR2BSK/WSMR2BSK	\$276.70
3	SMR3BSK	SCSMR3BSK/WSMR3BSK	\$354.08
4	SMR4BSK	SCSMR4BSK/WSMR4BSK	\$354.08
5	SMR5BSK	SCSMR5BSK/WSMR5BSK	\$420.50
6	SMR6/7BSK	SCSMR6/7BSK/WSMR6/7BSK	\$796.75
7	SMR6/7BSK	SCSMR6/7BSK/WSMR6/7BSK	\$796.75
8	SMR8/9BSK	SCSMR8/9BSK/WSMR8/9BSK	\$1,745.22
9	SMR8/9BSK	SCSMR8/9BSK/WSMR8/9BSK	\$1,745.22
10	SMR10/12BSK	SCSMR10BSK	\$1,877.58
12	SMR10/12BSK	--	\$1,877.58

Belt Guards

- Hinged design for easy access to belts and sheaves
- Slotted metal panel construction
- Assembles to reducer and motor mount holes
- Easy mount for WorldWide shaft mount reducers



Box Size	Model Number	List Price
2	BG2	\$500.93
3	BG3	\$569.35
4	BG4	\$653.07
5	BG5	\$720.16
6	BG6	\$820.52
7	BG7	\$965.33
8	BG8	\$1,135.67
9	BG9	\$1,579.75
10	BG10	\$1,710.32
12	BG12	\$2,105.78

* WWE belt guards are painted orange. Yellow belt guards are available by adding the suffix "Y" to the model number (i.e. BG2Y is a box size 2 belt guard painted yellow).

Motor Mounts

- Heavy gauge steel construction for NEMA frame motors
- Adjustable top plate for belt tensioning



Box Size	NEMA Frame	Model Number	List Price
2	56-215T	MM2	\$501.30
3	56-215T	MM3A	\$515.67
4	143T-286T	MM4	\$803.40
5	143T-286T	MM5A	\$803.40
6	143T-326T	MM6A	\$1,117.68
7	143T-365T	MM7	\$1,198.83
8	213T-365T	MM8A	\$1,438.58
9	284T-365T	MM9	\$1,438.58
9	404T-445T	MM9L	\$1,976.51
10	254T-365T	MM10	\$1,615.94
10	404T-445T	MM10L	\$2,685.84
12	286T-445T	MM12	\$4,174.16

Torque Arms

- Included with every shaft mount reducer
- Heavy gauge steel construction
- Machine precision ground interlocking parts for easy and accurate tensioning and tightening*



Box Size	SMR Model Number	List Price	SCSMR Model Number	List Price
2	SMR2-TA	\$77.16	WSMR2-TA	\$116.97
3	SMR3-TA	\$77.16	WSMR3-TA	\$116.97
4	SMR4-TA	\$137.89	WSMR4-TA	\$137.89
5	SMR5-TA	\$137.89	WSMR5-TA	\$151.43
6	SMR6-TA	\$206.13	WSMR6-TA	\$270.86
7	SMR7-TA	\$403.62	WSMR7-TA	\$433.38
8	SMR8-TA	\$510.33	WSMR8-TA	\$695.63
9	SMR9-TA	\$510.33	WSMR9-TA	\$695.63
10	SMR10-TA	\$608.82	SCSMR10-TA	\$887.78
12	SMR12-TA	\$937.15	--	--

Rebuild Kits

Kits Include (Sold As Kit Only):

- High speed input shaft
- First gear reduction gear
- Input bearings
- Input seal
- Output seals



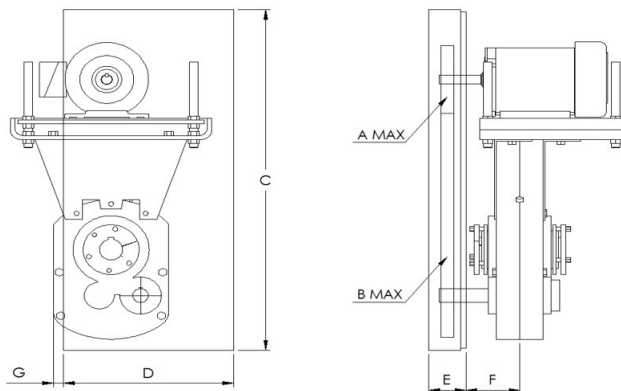
Box Size	Ratio	SMR Model Number	List Price	SCSMR Model Number	List Price
2	9:1	---	---	SCSMR29RBKIT	\$254.02
	15:1	---		SCSMR215RBKIT	
	25:1	---		SCSMR225RBKIT	
3	9:1	---	\$523.93	SCSMR39RBKIT	\$317.81
	15:1	SMR315RBKIT		SCSMR315RBKIT	
	25:1	SMR325RBKIT		SCSMR325RBKIT	
4	9:1	---	\$645.35	SCSMR49RBKIT	\$406.91
	15:1	SMR415RBKIT		SCSMR415RBKIT	
	25:1	SMR425RBKIT		SCSMR425RBKIT	
5	9:1	---	\$859.78	SCSMR59RBKIT	\$521.52
	15:1	SMR515RBKIT		SCSMR515RBKIT	
	25:1	SMR525RBKIT		SCSMR525RBKIT	
6	9:1	---	\$1,158.34	SCSMR69RBKIT	\$680.47
	15:1	SMR615RBKIT		SCSMR615RBKIT	
	25:1	SMR625RBKIT		SCSMR625RBKIT	
7	15:1	SMR715RBKIT	\$1,424.49	SCSMR715RBKIT	\$979.01
	25:1	SMR725RBKIT		SCSMR725RBKIT	
8	15:1	SMR815RBKIT	\$1,754.46	SCSMR815RBKIT	\$1,283.46
	25:1	SMR825RBKIT		SCSMR825RBKIT	
9	15:1	SMR915RBKIT	\$2,246.94	SCSMR915RBKIT	\$2,647.88
	25:1	SMR925RBKIT		SCSMR925RBKIT	
10	15:1	SMR1015RBKIT	\$3,760.07	SCSMR1015RBKIT	\$4,031.01
	25:1	SMR1025RBKIT		SCSMR1025RBKIT	
12	25:1	SMR1225RBKITWIP	\$8,277.371	---	---

Shaft Mount Reducers: Accessories and Parts (Continued)

V-Belt Drive Center Distances for MM Series Motor Mounts

Motor Mount	Reducer Model	Center Distances For Various NEMA Motor Frames (Table ratings for 1800 RPM Motors only.)																			
		56C		143/5T		182/4T		213/5T		254/6T		284/6T		324/6T		364/5T		404/5T		444/5T	
		Min	Max	Min	Max	Min	Max	Min	Max	Min	Max	Min	Max	Min	Max	Min	Max	Min	Max	Min	Max
MM2	SMR2 SCSMR2	18.7	22.1	18.7	22.1	19.7	23.1	20.5	23.9	---	---	---	---	---	---	---	---	---	---	---	---
MM3A	SMR3 SCSMR3	20.2	23.6	20.2	23.6	21.2	24.6	22.0	25.3	23.0	26.3	---	---	---	---	---	---	---	---	---	---
MM4	SMR4 SCSMR4	---	---	21.2	25.2	22.2	26.2	23.0	26.9	23.9	27.9	24.7	28.7	---	---	---	---	---	---	---	---
MM5A	SMR5 SCSMR5	---	---	22.7	26.6	23.7	27.6	24.4	28.4	25.4	29.4	26.2	30.1	---	---	---	---	---	---	---	---
MM6A	SMR6 SCSMR6	---	---	25.9	29.7	26.9	30.7	27.6	31.4	28.6	32.4	29.4	33.2	30.4	34.2	---	---	---	---	---	---
MM7	SMR7 SCSMR7	---	---	30.6	34.4	31.6	35.4	32.4	36.2	33.4	37.2	34.1	37.9	35.1	38.9	36.1	40.0	36.1	40.0	36.1	40.0
MM8	SMR8 SCSMR8	---	---	---	---	---	---	35.5	40.5	36.4	41.2	37.2	42.2	38.2	43.2	39.2	44.2	39.2	44.2	39.2	44.2
MM9	SMR9 SCSMR9	---	---	---	---	---	---	38.0	43.0	39.0	44.0	39.8	44.7	40.7	45.7	41.7	46.7	41.7	46.7	41.7	46.7
MM10	SMR10 SCSMR10	---	---	---	---	---	---	---	---	42.6	47.5	43.3	48.2	44.3	49.2	45.3	50.2	45.3	50.2	45.3	50.2
MM12	SMR12	---	---	---	---	---	---	---	---	---	---	57.0	61.0	57.7	62.1	58.7	63.1	59.7	64.1	60.7	65.1

Maximum Allowable Sheave Sizes for Belt Guards



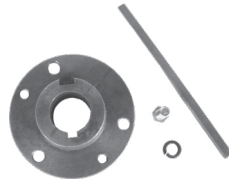
Reducer Model	Belt Guard Size	Motor Mount Part Number	NEMA Motor Frame	Center Distances		A	B	C	D	E	F	G
				Min	Max							
SMR2, SCSMR2	BG2	MM2	56T-215T	18.7	23.9	6	12	34	15	4	3.5	---
SMR3, SCSMR3	BG3	MM3A	56T-215T	20.2	26.3	7	14	37	17	4	3.94	---
SMR4, SCSMR4	BG4	MM4	143T-286T	21.2	28.7	7	15	43	18	4.5	5.19	---
SMR5, SCSMR5	BG5	MM5A	143T-286T	22.7	31.1	7	15	45	18	4.25	5.13	0.625
SMR6, SCSMR6	BG6	MM6A	143T-326T	25.9	34.2	8	18	50	20	6	6.06	1.63
SMR7, SCSMR7	BG7	MM7	143T-365T	30.6	40.0	10	20	56	23	6	6.88	0.5
SMR8, SCSMR8	BG8	MM8A	213T-365T	35.5	44.2	12	25	63	27	6.5	7.46	0.156
SMR9, SCSMR9	BG9	MM9	284T-365T	38.0	46.7	12	25	66	30	9	7.63	2.91
SMR10, SCSMR10	BG10	MM10	284T-365T	42.6	50.2	12	25	72.5	30	9	8.25	4.31
SMR12	BG12	MM12	320T-445T	58.1	66.6	15	30	91	34	9.5	8.13	---

Shaft Mount Reducers: Accessories and Parts (Continued)

SHAFT MOUNT REDUCERS
 ACCESSORIES AND PARTS

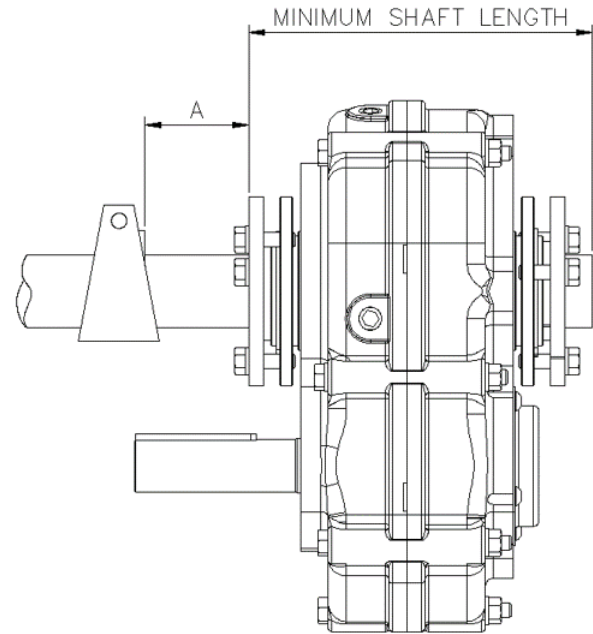
Tapered Bushing Kits

- Sized for WorldWide shaft mount reducers
- Interchangeable with other manufacturers
- Fast and simple installation
- Tapered support on both sides of the reducer
- Includes fastening bolts and a full length shaft key



Box Size	Bushing Size (in.)	Model Number	List Price
2	1-3/16	2WTBK-1.316	\$173.26
	1-1/4	2WTBK-1.14	
	1-5/16	2WTBK-1.516	
	1-3/8	2WTBK-1.38	
	1-7/16	2WTBK-1.716	
	1-1/2	2WTBK-1.12	
	1-5/8	2WTBK-1.58	
	1-11/16	2WTBK-1.1116	
	1-3/4	2WTBK-1.34	
	1-15/16	2WTBK-1.1516	
3	1-11/16	3WTBK-1.1116	\$213.20
	1-3/4	3WTBK-1.34	
	1-7/8	3WTBK-1.78	
	1-15/16	3WTBK-1.1516	
	2	3WTBK-2	
4	2-3/16	3WTBK-2.316	\$293.92
	1-15/16	4WTBK-1.1516	
	2	4WTBK-2	
	2-3/16	4WTBK-2.316	
5	2-1/4	4WTBK-2.14	\$404.88
	2-7/16	4WTBK-2.716	
	2-3/16	5WTBK-2.316	
	2-7/16	5WTBK-2.716	
	2-1/2	5WTBK-2.12	
6	2-11/16	5WTBK-2.1116	\$526.71
	2-15/16	5WTBK-2.1516	
	3	6WTBK-3	
	2-1/2	6WTBK-2.12	
	2-3/16	6WTBK-2.316	
	2-7/16	6WTBK-2.716	
7	2-11/16	6WTBK-2.1116	\$708.21
	2-15/16	6WTBK-2.1516	
	3	7WTBK-3	
	2-7/16	7WTBK-2.716	
	2-11/16	7WTBK-2.1116	
8	2-15/16	7WTBK-2.1516	\$858.71
	3	7WTBK-3	
	3-3/16	7WTBK-3.316	
	3-7/16	7WTBK-3.716	
9	3-15/16	7WTBK-3.1516	\$1,009.20
	2-15/16	8WTBK-2.1516	
	3-7/16	8WTBK-3.716	
	3-15/16	8WTBK-3.1516	
10	4-3/16	8WTBK-4.316	\$1,158.31
	4-7/16	8WTBK-4.716	
	3-7/16	9WTBK-3.716	
	3-15/16	9WTBK-3.1516	
12	4-7/16	9WTBK-4.716	\$2,239.67
	4-15/16	9WTBK-4.1516	
	5-7/16	10WTBK-5.716	
	5-15/16	10WTBK-5.1516	
12	6	12WTBK-6	\$2,239.67
	6-7/16	12WTBK-6.716	
	6-1/2	12WTBK-6.12	

Minimum Mounting Dimensions



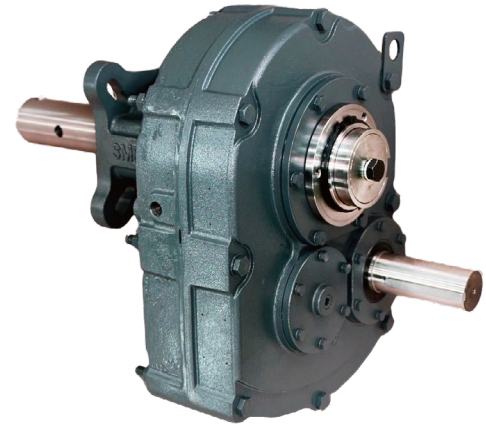
Preferred Minimum Required Shaft Length	
Reducer Model	Preferred Minimum Required Shaft Length (inches)
SMR2, SCSMR2	7.84
SMR3, SCSMR3	9.93
SMR4, SCSMR4	10.71
SMR5, SCSMR5	11.48
SMR6, SCSMR6	12.49
SMR7, SCSMR7	13.73
SMR8, SCSMR8	14.91
SMR9, SCSMR9	15.11
SMR10, SCSMR10	16.62
SMR12	19.81

Bushing Screw Information and Minimum Clearance for Removal			
Reducer Model	Fastener Size	Torque (in.-lbs)	Dimension A
SMR2, SCSMR2	5/16-18	200	1.25
SMR3, SCSMR3	3/8-16	360	1.5
SMR4, SCSMR4	3/8-16	360	1.75
SMR5, SCSMR5	7/16-14	800	1.81
SMR6, SCSMR6	7/16-14	800	1.81
SMR7, SCSMR7	1/2-13	1000	2.06
SMR8, SCSMR8	1/2-13	1000	2.06
SMR9, SCSMR9	5/8-11	1900	2.44
SMR10, SCSMR10	5/8-11	1900	2.44
SMR12	5/8-11	1900	2.44

Screw Conveyor Components for Eliminator SCSMR Series Reducers

Product Specifications (for screw conveyor applications)

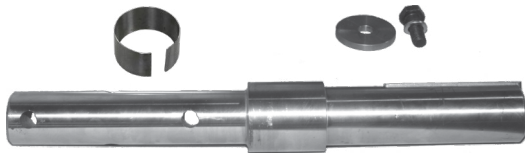
- 9:1, 15:1 and 25:1 ratios
- Box sizes 2 - 6
- Heavy duty FCD45 cast iron housing for corrosion resistance
- CEMA adapter flange bolt-on design allows for easy mounting
- Drive shaft machined from high strength alloy steel
- Hardened gears for long-life, A.G.M.A. rated class 11
- Double lip seal and braided felt seal installed
- Flat bottom with four (4) tapped holes for additional mounting flexibility
- Compatible with the Eliminator SCSMR series shaft mount reducers.



1
SHAFT MOUNT REDUCERS
ACCESSORIES AND PARTS

Screw Conveyor Drive Shafts

- Machined from high tensile strength alloy steel
- Conforms to CEMA standards
- Three-hole design for easy installation onto screw



Box Size	Model Number	Drive Shaft Size (inches)	List Price
2	2SCDS-1.12	1 1/2"	\$326.32
	2SCDS-2	2"	\$326.32
	2SCDS-2.716	2 7/16"	\$411.83
	2SCDS-3	3"	\$411.83
3	3SCDS-1.12	1 1/2"	\$423.63
	3SCDS-2	2"	\$423.63
	3SCDS-2.716	2 7/16"	\$423.63
	3SCDS-3	3"	\$484.94
4	4SCDS-1.12	1 1/2"	\$494.16
	4SCDS-2	2"	\$494.16
	4SCDS-2.716	2 7/16"	\$494.16
	4SCDS-3	3"	\$542.35
	4SCDS-3.716	3 7/16"	\$575.59
5	5SCDS-2	2"	\$615.34
	5SCDS-2.716	2 7/16"	\$615.34
	5SCDS-3	3"	\$615.34
	5SCDS-3.716	3 7/16"	\$622.25
6	6SCDS-2.716	2 7/16"	\$825.51
	6SCDS-3	3"	\$825.51
	6SCDS-3.716	3 7/16"	\$924.58

Screw Conveyor Flanges

- Conforms to CEMA standards
- Bolt-on design allows for easy mounting
- Heavy duty FCD45 cast iron construction
- Double lip seal and braided felt seal installed

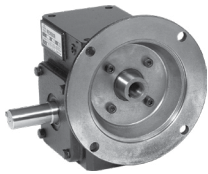
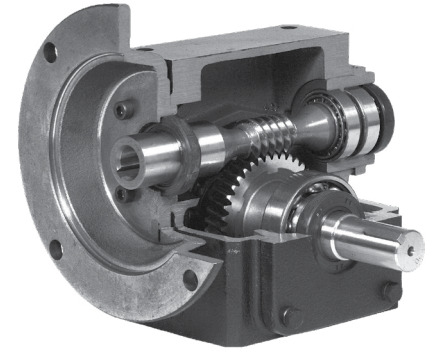


Box Size	Model Number	List Price
2	2SCF	\$307.27
3	3SCF	\$351.19
4	4SCF	\$405.43
5	5SCF	\$471.60
6	6SCF	\$604.21

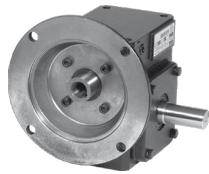
HdR Series - HD Cast Iron Worm Gear Reducers: Product Overview

Product Specifications

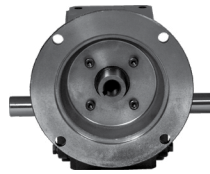
- 5:1 - 60:1 ratios
- Box sizes (Center distances of 1.33" to 3.25")
- One piece # FC20 all cast iron housing
- Embedded double-lip oil seals
- Double bearings used on both shaft ends
- Anti-rust primer applied outside gearbox before top painting
- S45C carbon steel shafts
- AIBC3 aluminum - bronze gear
- Interior oil channel guide directly and constantly lube bearings
- Tapered roller bearing on output and input shafts
- All angle - radiused mounting holes
- Air dry special black paint
- Shaft sleeve protects all shafts
- Compact design
- Units filled with Mobil #SHC632 synthetic oil for "A" position mounting
- Adjust oil level for alternative mounting positions
- Universally interchangeable
- 1 year warranty



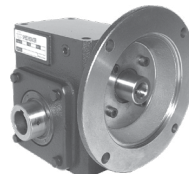
Flange Input
Shaft Output
Left Hand Output



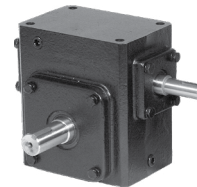
Flange Input
Shaft Output
Right Hand Output



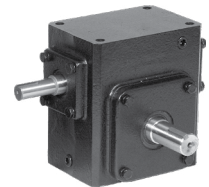
Flange Input
Shaft Output
Double End Output



Flange Input
Hollow Bore Output



Shaft Input
Shaft Output
Left Hand Output



Shaft Input
Shaft Output
Right Hand Output

HdR Series - HD Cast Iron Worm Gear Reducers: How To Order

Please use the following table and nomenclature for ordering WorldWide Electric Worm Gear Reducers

Style	Box Size	Ratio	Output	Motor Frame*
S - Shaft Input	133	5:1	L - Left Hand	56C
F - Flange Input	154	10:1	R - Right Hand	145TC
	175	15:1	DE - Double End	182/4TC
	206	20:1	H - Hollow Bore	
	237	30:1		
	262	40:1		
	325	50:1		
		60:1		*Leave Blank for Shaft Input
HdR ___	___	___/___	___	___

HdR Series - HD Cast Iron Worm Gear Reducers: Mechanical Ratings

Input Speed		1750 RPM									
Box Size	Ratio	Mechanical (1.0 SF)			Thermal			Efficiency (%)	O.H.L. (lbs.)	Output Shaft Thrust Load (lbs.)	Backlash (ft.) (Angular Minutes)
		Input HP	Output Torque (lbs. in.)	Output HP	Input HP	Output Torque (lbs. in.)	Output HP				
133	5:1	1.15	209	1.05	1.15	209	1.05	91	300	300	27
	10:1	0.77	247	0.66	0.75	240	0.64	86			
	15:1	0.63	283	0.50	0.53	238	0.42	80			
	20:1	0.50	276	0.39	0.48	266	0.38	78			
	25:1	0.48	321	0.36	0.42	282	0.32	75			
	30:1	0.47	336	0.31	0.31	221	0.20	66			
	40:1	0.38	356	0.25	0.30	282	0.19	65			
	50:1	0.29	312	0.17	0.26	282	0.15	59			
154	60:1	0.23	261	0.12	0.22	252	0.12	53	450	400	23
	5:1	2.04	341	1.88	2.04	341	1.88	92			
	10:1	1.03	327	0.90	1.03	327	0.90	88			
	15:1	0.78	363	0.67	0.78	363	0.67	86			
	20:1	0.65	384	0.53	0.65	384	0.53	81			
	25:1	0.53	354	0.40	0.53	354	0.40	75			
	30:1	0.48	388	0.36	0.48	388	0.36	74			
	40:1	0.40	397	0.27	0.40	397	0.27	68			
175	50:1	0.34	407	0.22	0.34	407	0.22	66	650	550	20
	60:1	0.29	373	0.17	0.29	373	0.17	59			
	5:1	2.83	499	2.62	2.28	402	2.11	93			
	10:1	1.57	515	1.38	1.36	445	1.19	88			
	15:1	1.24	554	1.06	1.13	506	0.96	85			
	20:1	1.02	596	0.85	0.98	572	0.81	83			
	25:1	0.82	547	0.61	0.66	441	0.49	75			
	30:1	0.78	666	0.56	0.69	533	0.50	69			
206	40:1	0.74	714	0.49	0.59	558	0.39	62	700	750	17
	50:1	0.50	575	0.32	0.50	575	0.32	59			
	60:1	0.38	469	0.20	0.38	469	0.20	52			
	5:1	3.62	685	3.33	2.57	486	2.36	92			
	10:1	2.77	935	2.50	2.10	708	1.89	90			
	15:1	2.09	1002	1.78	1.40	673	1.20	85			
	20:1	1.57	914	1.29	1.17	681	0.96	82			
	25:1	1.48	1016	1.14	0.89	607	0.68	77			
237	30:1	1.65	1310	1.21	0.76	606	0.56	73	900	900	17
	40:1	1.09	1120	0.77	0.71	726	0.50	71			
	50:1	0.74	830	0.46	0.54	606	0.33	62			
	60:1	0.60	750	0.35	0.48	606	0.28	58			
	5:1	4.57	798	4.24	3.56	630	3.31	93			
	10:1	3.47	1158	3.09	2.24	746	1.99	89			
	15:1	2.64	1249	2.22	1.55	732	1.30	84			
	20:1	2.06	1195	1.69	1.36	791	1.12	82			
262	25:1	1.85	1297	1.45	1.13	793	0.89	78	1000	1000	17
	30:1	1.82	1507	1.39	1.02	847	0.78	76			
	40:1	1.45	1483	1.02	0.83	845	0.58	71			
	50:1	1.32	1527	0.84	0.67	779	0.43	64			
	60:1	0.86	1149	0.53	0.63	844	0.39	61			
	100:1	0.39	809	0.23	0.39	809	0.23	58			
	5:1	5.24	924	4.86	4.32	761	4.00	93			
	10:1	4.17	1445	3.74	3.06	1061	2.75	90			
325	15:1	3.22	1577	2.81	2.47	1212	2.16	87	1200	1100	15
	20:1	2.67	1563	2.21	1.84	1078	1.53	83			
	25:1	2.37	1707	1.91	1.62	1167	1.30	81			
	30:1	2.22	1827	1.68	1.30	1072	0.99	76			
	40:1	1.85	1919	1.32	1.11	1153	0.80	72			
	50:1	1.37	1658	0.92	0.95	1152	0.64	67			
	60:1	1.16	1670	0.77	0.94	1346	0.62	66			
	5:1	9.72	1724	9.06	6.93	1228	6.46	93			
325	10:1	7.19	2419	6.46	4.63	1558	4.16	90	1200	1100	15
	15:1	5.45	2611	4.65	3.19	1527	2.72	85			
	20:1	4.74	2875	4.07	3.31	2011	2.85	86			
	25:1	3.85	2838	3.17	2.67	1965	2.20	82			
	30:1	3.66	3045	2.80	2.00	1661	1.53	77			
	40:1	3.35	3692	2.55	1.96	2156	1.49	76			
	50:1	2.49	3413	1.88	1.92	2637	1.46	76			
	60:1	2.03	3127	1.44	1.61	2476	1.14	71			

* Thermal Limit Ratings - Max. Input HP at 20°C ambient temperature with Mobil SHC 632 lubricant

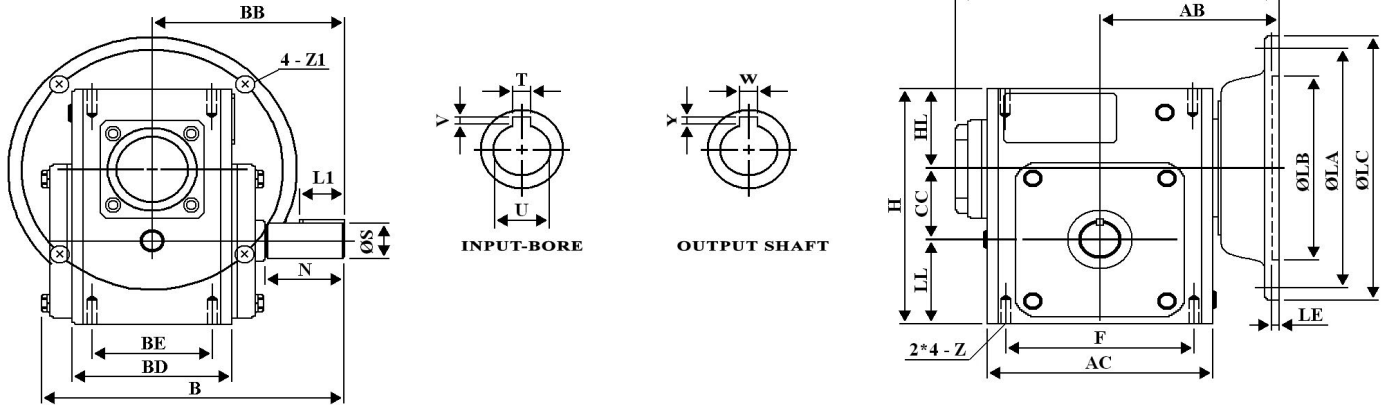
2
 HDR SERIES - HEAVY DUTY
 CAST IRON REDUCERS

HdR Series - HD Cast Iron Worm Gear Reducers: Flange Input, Shaft Output

2
HDR SERIES - HEAVY DUTY
CAST IRON REDUCERS

Ratio	Output RPM @ 1800 RPM Input	WCD Center (in.)	NEMA Motor Frame	Approx. Wt. (lbs.)	Model Number Left Hand Output	Model Number Right Hand Output	Model Number Double End Output	List Price
5:1	350	1.33	56C	17	HdRF133-5/1-L-56C	HdRF133-5/1-R-56C	HdRF133-5/1-DE-56C	\$275.79
		1.54	56C	22	---	HdRF154-5/1-R-56C	HdRF154-5/1-DE-56C	\$302.87
		1.75	56C	27	HdRF175-5/1-L-56C	HdRF175-5/1-R-56C	HdRF175-5/1-DE-56C	\$333.66
		2.06	56C	32	HdRF206-5/1-L-56C	HdRF206-5/1-R-56C	HdRF206-5/1-DE-56C	\$423.53
		2.37	56C	38	HdRF237-5/1-L-56C	HdRF237-5/1-R-56C	HdRF237-5/1-DE-56C	\$509.71
		2.62	182/4TC	53	HdRF262-5/1-L-182/4TC	HdRF262-5/1-R-182/4TC	HdRF262-5/1-DE-182/4TC	\$549.11
		3.25	182/4TC	90	HdRF325-5/1-L-182/4TC	HdRF325-5/1-R-182/4TC	HdRF325-5/1-DE-182/4TC	\$775.65
10:1	175	1.33	56C	17	HdRF133-10/1-L-56C	HdRF133-10/1-R-56C	HdRF133-10/1-DE-56C	\$275.79
		1.54	56C	22	HdRF154-10/1-L-56C	HdRF154-10/1-R-56C	HdRF154-10/1-DE-56C	\$302.87
		1.75	56C	27	HdRF175-10/1-L-56C	HdRF175-10/1-R-56C	HdRF175-10/1-DE-56C	\$333.66
		2.06	56C	32	HdRF206-10/1-L-56C	HdRF206-10/1-R-56C	HdRF206-10/1-DE-56C	\$423.53
		2.37	56C	38	HdRF237-10/1-L-56C	HdRF237-10/1-R-56C	HdRF237-10/1-DE-56C	\$509.71
		2.37	145TC	53	HdRF237-10/1-L-145TC	HdRF237-10/1-R-145TC	HdRF237-10/1-DE-145TC	\$509.71
		2.62	182/4TC	53	HdRF262-10/1-L-182/4TC	HdRF262-10/1-R-182/4TC	HdRF262-10/1-DE-182/4TC	\$549.11
3.25	182/4TC	90	HdRF325-10/1-L-182/4TC	HdRF325-10/1-R-182/4TC	HdRF325-10/1-DE-182/4TC	\$775.65		
15:1	120	1.33	56C	17	HdRF133-15/1-L-56C	HdRF133-15/1-R-56C	HdRF133-15/1-DE-56C	\$275.79
		1.54	56C	22	HdRF154-15/1-L-56C	HdRF154-15/1-R-56C	HdRF154-15/1-DE-56C	\$302.87
		1.75	56C	27	HdRF175-15/1-L-56C	HdRF175-15/1-R-56C	HdRF175-15/1-DE-56C	\$333.66
		2.06	56C	32	HdRF206-15/1-L-56C	HdRF206-15/1-R-56C	HdRF206-15/1-DE-56C	\$423.53
		2.37	56C	38	HdRF237-15/1-L-56C	HdRF237-15/1-R-56C	HdRF237-15/1-DE-56C	\$509.71
		2.62	56C	53	HdRF262-15/1-L-56C	HdRF262-15/1-R-56C	HdRF262-15/1-DE-56C	\$549.11
		2.62	145TC	53	HdRF262-15/1-L-145TC	HdRF262-15/1-R-145TC	HdRF262-15/1-DE-145TC	\$549.11
3.25	182/4TC	90	HdRF325-15/1-L-182/4TC	HdRF325-15/1-R-182/4TC	HdRF325-15/1-DE-182/4TC	\$775.65		
20:1	88	1.33	56C	17	HdRF133-20/1-L-56C	HdRF133-20/1-R-56C	HdRF133-20/1-DE-56C	\$275.79
		1.54	56C	22	HdRF154-20/1-L-56C	HdRF154-20/1-R-56C	HdRF154-20/1-DE-56C	\$302.87
		1.75	56C	27	HdRF175-20/1-L-56C	HdRF175-20/1-R-56C	HdRF175-20/1-DE-56C	\$333.66
		2.06	56C	32	HdRF206-20/1-L-56C	HdRF206-20/1-R-56C	HdRF206-20/1-DE-56C	\$423.53
		2.37	56C	38	HdRF237-20/1-L-56C	HdRF237-20/1-R-56C	HdRF237-20/1-DE-56C	\$509.71
		2.62	56C	53	HdRF262-20/1-L-56C	HdRF262-20/1-R-56C	HdRF262-20/1-DE-56C	\$549.11
		2.62	145TC	53	HdRF262-20/1-L-145TC	HdRF262-20/1-R-145TC	HdRF262-20/1-DE-145TC	\$549.11
3.25	182/4TC	90	HdRF325-20/1-L-182/4TC	HdRF325-20/1-R-182/4TC	HdRF325-20/1-DE-182/4TC	\$775.65		
25:1	70	2.06	56C	32	HdRF206-25/1-L-56C	HdRF206-25/1-R-56C	---	\$423.53
		2.37	56C	38	HdRF237-25/1-L-56C	HdRF237-25/1-R-56C	---	\$509.71
		2.62	56C	53	HdRF262-25/1-L-56C	HdRF262-25/1-R-56C	---	\$549.11
		2.62	145TC	53	HdRF262-25/1-L-145TC	HdRF262-25/1-R-145TC	---	\$549.11
		3.25	145TC	90	HdRF325-25/1-L-145TC	HdRF325-25/1-R-145TC	---	\$775.65
		1.33	56C	17	HdRF133-30/1-L-56C	HdRF133-30/1-R-56C	HdRF133-30/1-DE-56C	\$275.79
		1.54	56C	22	HdRF154-30/1-L-56C	HdRF154-30/1-R-56C	HdRF154-30/1-DE-56C	\$302.87
30:1	58	1.75	56C	27	HdRF175-30/1-L-56C	HdRF175-30/1-R-56C	HdRF175-30/1-DE-56C	\$333.66
		2.06	56C	32	HdRF206-30/1-L-56C	HdRF206-30/1-R-56C	HdRF206-30/1-DE-56C	\$423.53
		2.37	56C	38	HdRF237-30/1-L-56C	HdRF237-30/1-R-56C	HdRF237-30/1-DE-56C	\$509.71
		2.62	56C	50	HdRF262-30/1-L-56C	HdRF262-30/1-R-56C	HdRF262-30/1-DE-56C	\$549.11
		2.62	145TC	50	HdRF262-30/1-L-145TC	HdRF262-30/1-R-145TC	HdRF262-30/1-DE-145TC	\$549.11
		3.25	56C	87	HdRF325-30/1-L-56C	HdRF325-30/1-R-56C	HdRF325-30/1-DE-56C	\$775.65
		3.25	145TC	87	HdRF325-30/1-L-145TC	HdRF325-30/1-R-145TC	HdRF325-30/1-DE-145TC	\$775.65
3.25	182/4TC	90	HdRF325-30/1-L-182/4TC	HdRF325-30/1-R-182/4TC	---	\$775.65		
40:1	44	1.33	56C	17	HdRF133-40/1-L-56C	HdRF133-40/1-R-56C	HdRF133-40/1-DE-56C	\$275.79
		1.54	56C	22	HdRF154-40/1-L-56C	HdRF154-40/1-R-56C	HdRF154-40/1-DE-56C	\$302.87
		1.75	56C	27	HdRF175-40/1-L-56C	HdRF175-40/1-R-56C	HdRF175-40/1-DE-56C	\$333.66
		2.06	56C	32	HdRF206-40/1-L-56C	HdRF206-40/1-R-56C	HdRF206-40/1-DE-56C	\$423.53
		2.37	56C	38	HdRF237-40/1-L-56C	HdRF237-40/1-R-56C	HdRF237-40/1-DE-56C	\$509.71
		2.62	56C	50	HdRF262-40/1-L-56C	HdRF262-40/1-R-56C	HdRF262-40/1-DE-56C	\$549.11
		2.62	145TC	50	HdRF262-40/1-L-145TC	---	---	\$549.11
3.25	56C	87	HdRF325-40/1-L-56C	HdRF325-40/1-R-56C	HdRF325-40/1-DE-56C	\$775.65		
3.25	145TC	87	HdRF325-40/1-L-145TC	HdRF325-40/1-R-145TC	HdRF325-40/1-DE-145TC	\$775.65		
50:1	35	1.33	56C	17	HdRF133-50/1-L-56C	HdRF133-50/1-R-56C	HdRF133-50/1-DE-56C	\$275.79
		1.54	56C	22	HdRF154-50/1-L-56C	HdRF154-50/1-R-56C	HdRF154-50/1-DE-56C	\$302.87
		1.76	56C	27	HdRF175-50/1-L-56C	HdRF175-50/1-R-56C	HdRF175-50/1-DE-56C	\$333.66
		2.06	56C	32	HdRF206-50/1-L-56C	HdRF206-50/1-R-56C	HdRF206-50/1-DE-56C	\$423.53
		2.37	56C	38	HdRF237-50/1-L-56C	HdRF237-50/1-R-56C	HdRF237-50/1-DE-56C	\$509.71
		2.62	56C	50	HdRF262-50/1-L-56C	HdRF262-50/1-R-56C	HdRF262-50/1-DE-56C	\$549.11
		3.25	56C	87	HdRF325-50/1-L-56C	HdRF325-50/1-R-56C	HdRF325-50/1-DE-56C	\$775.65
3.25	145TC	87	HdRF325-50/1-L-145TC	HdRF325-50/1-R-145TC	HdRF325-50/1-DE-145TC	\$775.65		
60:1	29	1.33	56C	17	HdRF133-60/1-L-56C	HdRF133-60/1-R-56C	HdRF133-60/1-DE-56C	\$275.79
		1.54	56C	22	HdRF154-60/1-L-56C	HdRF154-60/1-R-56C	HdRF154-60/1-DE-56C	\$302.87
		1.75	56C	27	HdRF175-60/1-L-56C	HdRF175-60/1-R-56C	HdRF175-60/1-DE-56C	\$333.66
		2.06	56C	32	HdRF206-60/1-L-56C	HdRF206-60/1-R-56C	HdRF206-60/1-DE-56C	\$423.53
		2.37	56C	38	HdRF237-60/1-L-56C	HdRF237-60/1-R-56C	HdRF237-60/1-DE-56C	\$509.71
		2.62	56C	50	HdRF262-60/1-L-56C	HdRF262-60/1-R-56C	HdRF262-60/1-DE-56C	\$549.11
		3.25	56C	87	HdRF325-60/1-L-56C	HdRF325-60/1-R-56C	HdRF325-60/1-DE-56C	\$775.65
3.25	145TC	87	HdRF325-60/1-L-145TC	HdRF325-60/1-R-145TC	HdRF325-60/1-DE-145TC	\$775.65		

HdR Series - HD Cast Iron Worm Gear Reducers: Dimensions
 Flange Input, Shaft Output, Left / Right Hand Output



2
 HDR SERIES - HEAVY DUTY
 CAST IRON REDUCERS

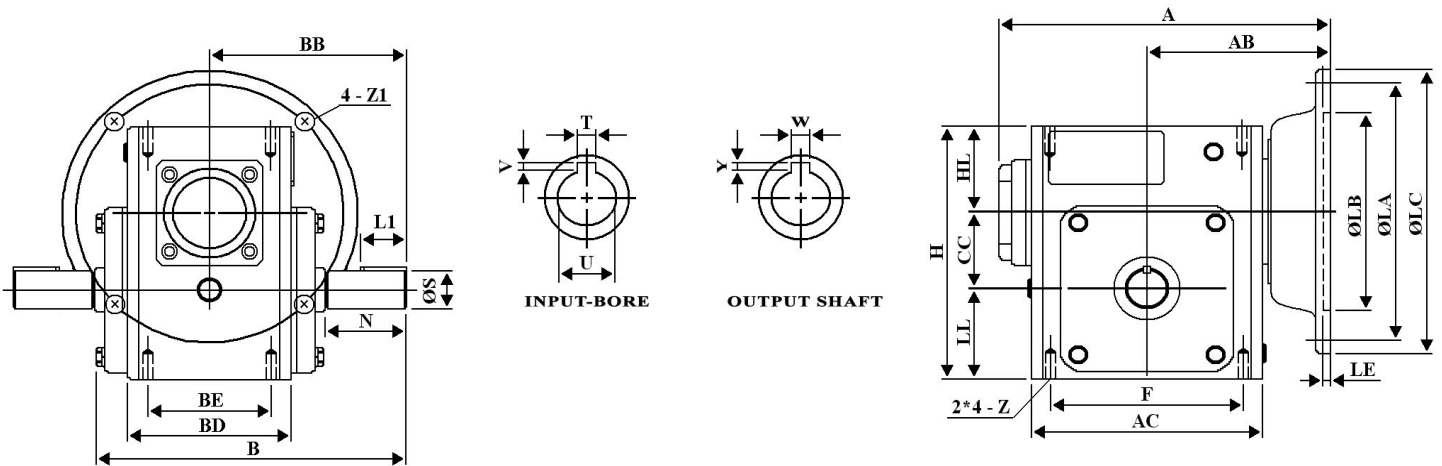
All listed dimensions in inches														
Box Size	NEMA Frame	A	AB	AC	B	BB	BD	BE	CC	F	H	HL	LL	N
133	56C	5.99	3.386	3.78	6.067	4	2.835	2	1.333	3.25	4.656	1.605	1.718	2
154	56C	7.15	3.976	4.961	6.122	4.311	3.622	2.75	1.54	4.188	5.378	1.929	1.909	1.772
175	56C	7.29	4.035	5.059	6.831	4.311	3.563	2.75	1.75	4.188	5.75	1.938	2.062	1.781
206	56C	7.95	4.37	5.748	7.249	4.69	3.819	2.88	2.062	5	6.375	2.032	2.281	2.09
237	56C	8.71	4.705	6.378	7.948	5.087	4.055	2.88	2.375	5	6.937	2.062	2.5	2.37
262	56C	9.41	5.059	7.165	8.872	5.63	4.685	3.375	2.625	6.375	8	2.437	2.938	2.626
	145TC	9.41	5.059	7.165	8.872	5.63	4.685	3.375	2.625	6.375	8	2.437	2.938	2.626
325	182/4TC	10.57	6.24	7.165	8.872	5.63	4.685	3.375	2.625	6.375	8	2.437	2.938	2.626
	56C	11.42	6.063	9.016	11.014	7.059	5.748	4	3.25	7.5	9.375	2.625	3.5	3.25
325	145TC	11.42	6.063	9.016	11.014	7.059	5.748	4	3.25	7.5	9.375	2.625	3.5	3.25
	182/4TC	12.59	7.244	9.016	11.014	7.059	5.748	4	3.25	7.5	9.375	2.625	3.5	3.25

All listed dimensions in inches														
Box Size	NEMA Frame	Z (UNC)	INPUT BORE		OUTPUT SHAFT			FLANGE					Oil (oz.)	
			U	T x V	L1	S	W x Y	LA	LB	LC	LE	Z1		
133	56C	5/16 - 18	0.625	3/16 x 3/32	1	0.625	3/16 x 3/32	5.875	4.5	6.496	0.157	0.433	5.82	
154	56C	5/16 - 18	0.625	3/16 x 3/32	1	0.75	3/16 x 3/32	5.875	4.5	6.496	0.157	0.433	11.64	
175	56C	5/16 - 18	0.625	3/16 x 3/32	1	0.875	3/16 x 3/32	5.875	4.5	6.496	0.157	0.433	11.64	
206	56C	3/8 - 16	0.625	3/16 x 3/32	1.25	1	1/4 x 1/8	5.875	4.5	6.496	0.157	0.433	19.41	
237	56C	3/8 - 16	0.625	3/16 x 3/32	1.25	1.125	1/4 x 1/8	5.875	4.5	6.496	0.157	0.433	24.07	
262	56C	3/8 - 16	0.625	3/16 x 3/32	2	1.125	1/4 x 1/8	5.875	4.5	6.496	0.157	0.433	34.55	
	145TC	3/8 - 16	0.875	3/16 x 3/32	2	1.125	1/4 x 1/8	5.875	4.5	6.496	0.157	0.433	34.55	
325	182/4TC	3/8 - 16	1.125	1/4 x 1/8	2	1.125	1/4 x 1/8	8.5	7.25	9	0.197	0.551	34.55	
	56C	7/16 - 14	0.625	3/16 x 3/32	2.438	1.375	5/16 x 5/32	5.875	4.5	6.496	0.157	0.433	73.75	
325	145TC	7/16 - 14	0.875	3/16 x 3/32	2.438	1.375	5/16 x 5/32	5.875	4.5	6.496	0.157	0.433	73.75	
	182/4TC	7/16 - 14	1.125	1/4 x 1/8	2.438	1.375	5/16 x 5/32	8.5	7.25	9	0.197	0.551	73.75	

Dimensions shown in this catalog are for general use only. For an exact drawing on a specific rating, please contact our sales office.

HdR Series - HD Cast Iron Worm Gear Reducers: Dimensions
Flange Input, Shaft Output, Double End Output

2
HdR SERIES - HEAVY DUTY
CAST IRON REDUCERS



All listed dimensions in inches														
Box Size	NEMA Frame	A	AB	AC	B	BB	BD	BE	CC	F	H	HL	LL	N
133	56C	5.99	3.386	3.78	6.067	4	2.835	2	1.333	3.25	4.656	1.605	1.718	2
175	56C	7.29	4.035	5.059	6.831	4.311	3.563	2.75	1.75	4.188	5.75	1.938	2.062	1.781
206	56C	7.95	4.37	5.748	7.249	4.69	3.819	2.88	2.062	5	6.375	2.032	2.281	2.09
237	56C	8.71	4.705	6.378	7.948	5.087	4.055	2.88	2.375	5	6.937	2.062	2.5	2.37
262	56C	9.41	5.059	7.165	8.872	5.63	4.685	3.375	2.625	6.375	8	2.437	2.938	2.626
	145TC	9.41	5.059	7.165	8.872	5.63	4.685	3.375	2.625	6.375	8	2.437	2.938	2.626
	182/4TC	10.57	6.24	7.165	8.872	5.63	4.685	3.375	2.625	6.375	8	2.437	2.938	2.626
325	56C	11.42	6.063	9.016	11.014	7.059	5.748	4	3.25	7.5	9.375	2.625	3.5	3.25
	145TC	11.42	6.063	9.016	11.014	7.059	5.748	4	3.25	7.5	9.375	2.625	3.5	3.25
	182/4TC	12.59	7.244	9.016	11.014	7.059	5.748	4	3.25	7.5	9.375	2.625	3.5	3.25

All listed dimensions in inches														
Box Size	NEMA Frame	Z (UNC)	INPUT BORE		OUTPUT SHAFT			FLANGE					Oil (oz.)	
			U	T x V	L1	S	W x Y	LA	LB	LC	LE	Z1		
133	56C	5/16 - 18	0.625	3/16 x 3/32	1	0.625	3/16 x 3/32	5.875	4.5	6.496	0.157	0.433	5.82	
175	56C	5/16 - 18	0.625	3/16 x 3/32	1	0.875	3/16 x 3/32	5.875	4.5	6.496	0.157	0.433	11.64	
206	56C	3/8 - 16	0.625	3/16 x 3/32	1.25	1	1/4 x 1/8	5.875	4.5	6.496	0.157	0.433	19.41	
237	56C	3/8 - 16	0.625	3/16 x 3/32	1.25	1.125	1/4 x 1/8	5.875	4.5	6.496	0.157	0.433	24.07	
262	56C	3/8 - 16	0.625	3/16 x 3/32	2	1.125	1/4 x 1/8	5.875	4.5	6.496	0.157	0.433	34.55	
	145TC	3/8 - 16	0.875	3/16 x 3/32	2	1.125	1/4 x 1/8	5.875	4.5	6.496	0.157	0.433	34.55	
	182/4TC	3/8 - 16	1.125	1/4 x 1/8	2	1.125	1/4 x 1/8	8.5	7.25	9	0.197	0.551	34.55	
325	56C	7/16 - 14	0.625	3/16 x 3/32	2.438	1.375	5/16 x 5/32	5.875	4.5	6.496	0.157	0.433	73.75	
	145TC	7/16 - 14	0.875	3/16 x 3/32	2.438	1.375	5/16 x 5/32	5.875	4.5	6.496	0.157	0.433	73.75	
	182/4TC	7/16 - 14	1.125	1/4 x 1/8	2.438	1.375	5/16 x 5/32	8.5	7.25	9	0.197	0.551	73.75	

Dimensions shown in this catalog are for general use only. For an exact drawing on a specific rating, please contact our sales office.

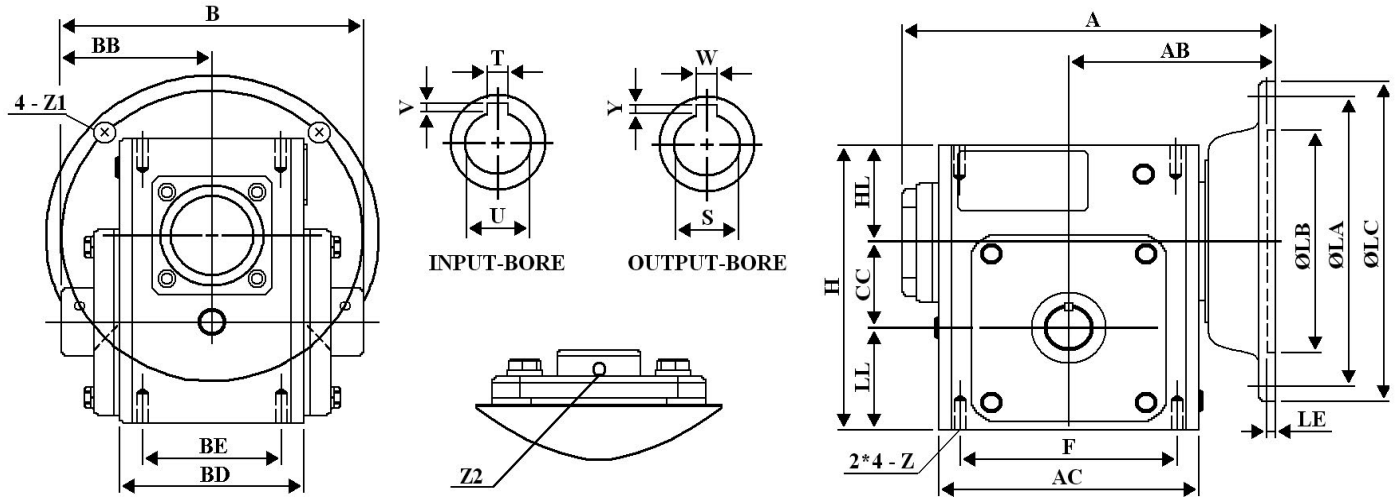
**HdR Series - HD Cast Iron Worm Gear Reducers:
Flange Input, Hollow Bore Output**

Ratio C	Output RPM @ 1800 RPM Input	WCD Center (in.)	NEMA Motor Frame	Approx. Wt. (lbs.)	Model Number	List Price
5:1	350	1.33	56C	17	HdRF133-5/1-H-56C	\$371.82
		1.75	56C	27	HdRF175-5/1-H-56C	\$440.77
		2.06	56C	32	HdRF206-5/1-H-56C	\$528.18
		2.37	56C	38	HdRF237-5/1-H-56C	\$603.29
		2.62	182/4TC	53	HdRF262-5/1-H-182/4TC	\$742.41
		3.25	182/4TC	90	HdRF325-5/1-H-182/4TC	\$1,031.74
10:1	175	1.33	56C	17	HdRF133-10/1-H-56C	\$371.82
		1.75	56C	27	HdRF175-10/1-H-56C	\$440.77
		2.06	56C	32	HdRF206-10/1-H-56C	\$528.18
		2.37	56C	38	HdRF237-10/1-H-56C	\$603.29
		2.62	182/4TC	53	HdRF262-10/1-H-182/4TC	\$742.41
		3.25	182/4TC	90	HdRF325-10/1-H-182/4TC	\$1,031.74
15:1	120	1.33	56C	17	HdRF133-15/1-H-56C	\$371.82
		1.75	56C	27	HdRF175-15/1-H-56C	\$440.77
		2.06	56C	32	HdRF206-15/1-H-56C	\$528.18
		2.37	56C	38	HdRF237-15/1-H-56C	\$603.29
		2.62	56C	53	HdRF262-15/1-H-56C	\$742.41
		3.25	145TC	53	HdRF262-15/1-H-145TC	\$742.41
20:1	88	3.25	182/4TC	90	HdRF325-15/1-H-182/4TC	\$1,031.74
		1.33	56C	17	HdRF133-20/1-H-56C	\$371.82
		1.75	56C	27	HdRF175-20/1-H-56C	\$440.77
		2.06	56C	32	HdRF206-20/1-H-56C	\$528.18
		2.37	56C	38	HdRF237-20/1-H-56C	\$603.29
		2.62	56C	53	HdRF262-20/1-H-56C	\$742.41
25:1	70	2.62	145TC	53	HdRF262-20/1-H-145TC	\$742.41
		3.25	182/4TC	90	HdRF325-20/1-H-182/4TC	\$1,031.74
		1.75	56C	27	HdRF175-25/1-H-56C	\$440.77
		2.06	56C	32	HdRF206-25/1-H-56C	\$528.18
		2.62	56C	53	HdRF262-25/1-H-56C	\$742.41
		2.62	145TC	53	HdRF262-25/1-H-145TC	\$742.41
30:1	58	1.33	56C	17	HdRF133-30/1-H-56C	\$371.82
		1.75	56C	27	HdRF175-30/1-H-56C	\$440.77
		2.06	56C	32	HdRF206-30/1-H-56C	\$528.18
		2.37	56C	38	HdRF237-30/1-H-56C	\$603.29
		2.62	56C	50	HdRF262-30/1-H-56C	\$742.41
		2.62	145TC	50	HdRF262-30/1-H-145TC	\$742.41
40:1	44	3.25	56C	87	HdRF325-30/1-H-56C	\$1,031.74
		3.25	145TC	87	HdRF325-30/1-H-145TC	\$1,031.74
		1.33	56C	17	HdRF133-40/1-H-56C	\$371.82
		1.75	56C	27	HdRF175-40/1-H-56C	\$440.77
		2.06	56C	32	HdRF206-40/1-H-56C	\$528.18
		2.37	56C	38	HdRF237-40/1-H-56C	\$603.29
50:1	35	2.62	56C	50	HdRF262-40/1-H-56C	\$742.41
		3.25	56C	87	HdRF325-40/1-H-56C	\$1,031.74
		3.25	145TC	87	HdRF325-40/1-H-145TC	\$1,031.74
		1.33	56C	17	HdRF133-50/1-H-56C	\$371.82
		1.76	56C	27	HdRF175-50/1-H-56C	\$440.77
		2.06	56C	32	HdRF206-50/1-H-56C	\$528.18
60:1	29	2.37	56C	38	HdRF237-50/1-H-56C	\$603.29
		2.62	56C	50	HdRF262-50/1-H-56C	\$742.41
		3.25	56C	87	HdRF325-50/1-H-56C	\$1,031.74
		3.25	145TC	87	HdRF325-50/1-H-145TC	\$1,031.74
		1.33	56C	17	HdRF133-60/1-H-56C	\$371.82
		1.75	56C	27	HdRF175-60/1-H-56C	\$440.77
60:1	29	2.06	56C	32	HdRF206-60/1-H-56C	\$528.18
		2.37	56C	38	HdRF237-60/1-H-56C	\$603.29
		2.62	56C	50	HdRF262-60/1-H-56C	\$742.41
		3.25	56C	87	HdRF325-60/1-H-56C	\$1,031.74
		3.25	145TC	87	HdRF325-60/1-H-145TC	\$1,031.74
		3.25	182/4TC	90	HdRF325-60/1-H-182/4TC	\$1,031.74

2
 HDR SERIES - HEAVY DUTY
 CAST IRON REDUCERS

HdR Series - HD Cast Iron Worm Gear Reducers: Dimensions
Flange Input, Hollow Bore Output

2
HdR SERIES - HEAVY DUTY
CAST IRON REDUCERS



All listed dimensions in inches														
Box Size	NEMA Frame	A	AB	AC	B	BB	BD	BE	CC	F	H	HL	LL	Z2
133	56C	5.98	3.386	3.78	4.44	2.218	2.835	2	1.333	3.25	4.656	1.605	1.718	#10 - 32 UNF x ¼
175	56C	7.28	4.035	5.059	6.18	3.091	3.563	2.75	1.75	4.19	5.75	1.938	2.062	#10 - 32 UNF x ¼
206	56C	7.95	4.37	5.748	6.44	3.219	3.819	2.88	2.062	5	6.375	2.032	2.281	¼ - 28 UNF x ¾
237	56C	8.68	4.705	6.378	6.44	3.22	4.055	2.88	2.375	5	6.937	2.062	2.5	¼ - 28 UNF x ¾
262	56C	9.41	5.059	7.165	7	3.5	4.68	3.375	2.625	6.38	8	2.437	2.938	¼ - 28 UNF x ¾
	145TC	9.41	5.059	7.165	7	3.5	4.68	3.375	2.625	6.38	8	2.437	2.938	¼ - 28 UNF x ¾
	182/4TC	10.59	6.24	7.165	7	3.5	4.68	3.375	2.625	6.38	8	2.437	2.938	¼ - 28 UNF x ¾
325	56C	11.42	6.063	9.016	8.76	4.38	5.748	4	3.25	7.5	9.375	2.625	3.5	⅜ - 24 UNF x ¾
	145TC	11.42	6.063	9.016	8.76	4.38	5.748	4	3.25	7.5	9.375	2.625	3.5	⅜ - 24 UNF x ¾
	182/4TC	12.6	7.244	9.016	8.76	4.38	5.748	4	3.25	7.5	9.375	2.625	3.5	⅜ - 24 UNF x ¾

All listed dimensions in inches													
Box Size	NEMA Frame	Z (UNC)	INPUT BORE		OUTPUT BORE		FLANGE					Oil (oz.)	
			U	T x V	S	W x Y	LA	LB	LC	LE	Z1		
133	56C	5/16 - 18	0.625	3/16 x 3/32	0.625	3/16 x 3/32	5.875	4.5	6.5	0.157	0.433	5.82	
175	56C	5/16 - 18	0.625	3/16 x 3/32	1	1/4 x 7/64	5.875	4.5	6.5	0.157	0.433	11.64	
206	56C	3/8 - 16	0.625	3/16 x 3/32	1.125	1/4 x 1/8	5.875	4.5	6.5	0.157	0.433	19.41	
237	56C	3/8 - 16	0.625	3/16 x 3/32	1.25	1/4 x 1/8	5.875	4.5	6.5	0.157	0.433	24.07	
262	56C	3/8 - 16	0.625	3/16 x 3/32	1.437	3/8 x 3/16	5.875	4.5	6.5	0.157	0.433	34.55	
	145TC	3/8 - 16	0.875	3/16 x 3/32	1.437	3/8 x 3/16	5.875	4.5	6.5	0.157	0.433	34.55	
	182/4TC	3/8 - 16	1.125	1/4 x 1/8	1.437	3/8 x 3/16	7.25	8.5	9	0.2	0.551	34.55	
325	56C	7/16 - 14	0.625	3/16 x 3/32	1.937	1/2 x 1/4	5.875	4.5	6.5	0.157	0.433	73.75	
	145TC	7/16 - 14	0.875	3/16 x 3/32	1.937	1/2 x 1/4	5.875	4.5	6.5	0.157	0.433	73.75	
	1842/TC	7/16 - 14	1.125	1/4 x 1/8	1.937	1/2 x 1/4	7.25	8.5	9	0.2	0.551	73.75	

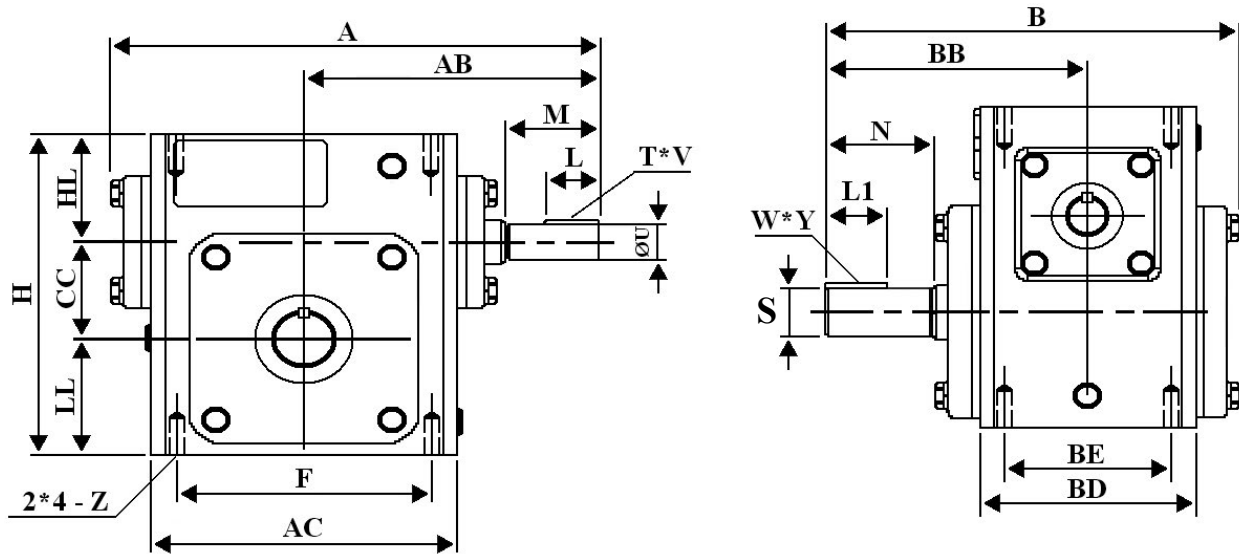
Dimensions shown in this catalog are for general use only.
 For an exact drawing on a specific rating, please contact our sales office.

**HdR Series - HD Cast Iron Worm Gear Reducers:
Shaft Input, Shaft Output**

Ratio C	Output RPM @ 1800 RPM Input	WCD Center (in.)	NEMA Motor Frame	Approx. Wt. (lbs.)	Model Number Left Hand Output	Model Number Right Hand Output	List Price
5:1	350	1.33	56C	17	HdRS133-5/1-L	HdRS133-5/1-R	\$237.63
		1.75	56C	27	HdRS175-5/1-L	HdRS175-5/1-R	\$286.86
		2.06	56C	32	HdRS206-5/1-L	HdRS206-5/1-R	\$343.51
		2.37	56C	38	HdRS237-5/1-L	HdRS237-5/1-R	\$393.98
		2.62	182/4TC	53	HdRS262-5/1-L	HdRS262-5/1-R	\$483.85
		3.25	182/4TC	90	HdRS325-5/1-L	HdRS325-5/1-R	\$682.08
10:1	175	1.33	56C	17	HdRS133-10/1-L	HdRS133-10/1-R	\$237.63
		1.54	56C	22	HdRS154-10/1-L	---	\$262.25
		1.75	56C	27	HdRS175-10/1-L	HdRS175-10/1-R	\$286.86
		2.06	56C	32	HdRS206-10/1-L	HdRS206-10/1-R	\$343.51
		2.37	56C	38	HdRS237-10/1-L	HdRS237-10/1-R	\$393.98
		2.62	182/4TC	53	HdRS262-10/1-L	HdRS262-10/1-R	\$483.85
15:1	120	1.33	56C	17	HdRS133-15/1-L	HdRS133-15/1-R	\$237.63
		1.75	56C	27	HdRS175-15/1-L	HdRS175-15/1-R	\$286.86
		2.06	56C	32	HdRS206-15/1-L	HdRS206-15/1-R	\$343.51
		2.37	56C	38	HdRS237-15/1-L	HdRS237-15/1-R	\$393.98
		2.62	56C/145TC	53	HdRS262-15/1-L	HdRS262-15/1-R	\$483.85
		3.25	182/4TC	90	HdRS325-15/1-L	HdRS325-15/1-R	\$682.08
20:1	88	1.33	56C	17	HdRS133-20/1-L	HdRS133-20/1-R	\$237.63
		1.54	56C	22	HdRS154-20/1-L	---	\$262.25
		1.75	56C	27	HdRS175-20/1-L	HdRS175-20/1-R	\$286.86
		2.06	56C	32	HdRS206-20/1-L	HdRS206-20/1-R	\$343.51
		2.37	56C	38	HdRS237-20/1-L	HdRS237-20/1-R	\$393.98
		2.62	56C/145TC	53	HdRS262-20/1-L	HdRS262-20/1-R	\$483.85
30:1	58	1.33	56C	17	HdRS133-30/1-L	HdRS133-30/1-R	\$237.63
		1.75	56C	27	HdRS175-30/1-L	HdRS175-30/1-R	\$286.86
		2.06	56C	32	HdRS206-30/1-L	HdRS206-30/1-R	\$343.51
		2.37	56C	38	HdRS237-30/1-L	HdRS237-30/1-R	\$393.98
		2.62	56C/145TC	50	HdRS262-30/1-L	HdRS262-30/1-R	\$483.85
		3.25	56C/145TC	87	HdRS325-30/1-L	HdRS325-30/1-R	\$682.08
40:1	44	1.33	56C	17	HdRS133-40/1-L	HdRS133-40/1-R	\$237.63
		1.54	56C	22	HdRS154-40/1-L	---	\$262.25
		1.75	56C	27	HdRS175-40/1-L	HdRS175-40/1-R	\$286.86
		2.06	56C	32	HdRS206-40/1-L	HdRS206-40/1-R	\$343.51
		2.37	56C	38	HdRS237-40/1-L	HdRS237-40/1-R	\$393.98
		2.62	56C	50	HdRS262-40/1-L	HdRS262-40/1-R	\$483.85
50:1	35	1.33	56C/145TC	87	HdRS325-40/1-L	HdRS325-40/1-R	\$682.08
		1.33	56C	17	HdRS133-50/1-L	HdRS133-50/1-R	\$237.63
		1.76	56C	27	HdRS175-50/1-L	HdRS175-50/1-R	\$286.86
		2.06	56C	32	HdRS206-50/1-L	HdRS206-50/1-R	\$343.51
		2.37	56C	38	HdRS237-50/1-L	HdRS237-50/1-R	\$393.98
		2.62	56C	50	HdRS262-50/1-L	HdRS262-50/1-R	\$483.85
60:1	29	3.25	56C/145TC	87	HdRS325-50/1-L	HdRS325-50/1-R	\$682.08
		1.33	56C	17	HdRS133-60/1-L	HdRS133-60/1-R	\$237.63
		1.75	56C	27	HdRS175-60/1-L	HdRS175-60/1-R	\$286.86
		2.06	56C	32	HdRS206-60/1-L	HdRS206-60/1-R	\$343.51
		2.37	56C	38	HdRS237-60/1-L	HdRS237-60/1-R	\$393.98
		2.62	56C	50	HdRS262-60/1-L	HdRS262-60/1-R	\$483.85
		3.25	56C/145TC/182/4TC	87	HdRS325-60/1-L	HdRS325-60/1-R	\$682.08

2
HDR SERIES - HEAVY DUTY
CAST IRON REDUCERS

HdR Series - HD Cast Iron Worm Gear Reducers: Dimensions
Shaft Input, Shaft Output



2
HdR SERIES - HEAVY DUTY
CAST IRON REDUCERS

All listed dimensions in inches														
Box Size	NEMA Frame	A	AB	AC	B	BB	BD	BE	CC	F	H	HL	LL	N
133	56	6.45	3.907	3.78	6.067	4	2.835	2	1.333	3.25	4.656	1.605	1.718	2
175	56	8.06	4.872	5.059	6.831	4.311	3.563	2.75	1.75	4.188	5.75	1.938	2.062	1.781
206	56	8.65	5.128	5.748	7.249	4.69	3.819	2.88	2.062	5	6.375	2.032	2.281	2.09
	145T	8.65	5.128	5.748	7.249	4.69	3.819	2.88	2.062	5	6.375	2.032	2.281	2.09
237	56	9.69	5.75	6.378	7.948	5.087	4.055	2.88	2.375	5	6.937	2.062	2.5	2.37
	145T	9.69	5.75	6.378	7.948	5.087	4.055	2.88	2.375	5	6.937	2.062	2.5	2.37
	182/4T	9.69	5.75	6.378	7.948	5.087	4.055	2.88	2.375	5	6.937	2.062	2.5	2.37
262	56	10.61	6.309	7.165	8.872	5.63	4.685	3.375	2.625	6.375	8	2.437	2.938	2.626
	145T	10.61	6.309	7.165	8.872	5.63	4.685	3.375	2.625	6.375	8	2.437	2.938	2.626
	182/4T	10.61	6.309	7.165	8.872	5.63	4.685	3.375	2.625	6.375	8	2.437	2.938	2.626
325	145T	12.74	7.441	9.016	11.01	7.059	5.748	4	3.25	7.5	9.375	2.625	3.5	3.25
	182/4T	12.74	7.441	9.016	11.01	7.059	5.748	4	3.25	7.5	9.375	2.625	3.5	3.25

All listed dimensions in inches									
Box Size	NEMA Frame	Z (UNC)	INPUT SHAFT			OUTPUT SHAFT			Oil (oz.)
			L	U	T x V	L1	S	W x Y	
133	56	5/16 - 18	0.625	0.5	1/8 x 1/16	1	0.625	3/16 x 3/32	5.82
175	56	5/16 - 18	0.875	0.625	3/16 x 3/32	1	0.875	3/16 x 3/32	11.64
206	56	3/8 - 16	0.875	0.625	3/16 x 3/32	1.25	1	1/4 x 1/8	19.41
	145T	3/8 - 16	0.875	0.625	3/16 x 3/32	1.25	1	1/4 x 1/8	19.41
237	56	3/8 - 16	1	0.75	3/16 x 3/32	1.25	1.125	1/4 x 1/8	24.07
	145T	3/8 - 16	1	0.75	3/16 x 3/32	1.25	1.125	1/4 x 1/8	24.07
	182/4T	3/8 - 16	1	0.75	3/16 x 3/32	1.25	1.125	1/4 x 1/8	24.07
262	56	3/8 - 16	1	0.75	3/16 x 3/32	2	1.125	1/4 x 1/8	34.55
	145T	3/8 - 16	1	0.75	3/16 x 3/32	2	1.125	1/4 x 1/8	34.55
	182/4T	3/8 - 16	1	0.75	3/16 x 3/32	2	1.125	1/4 x 1/8	34.55
325	145T	7/16 - 14	1	0.875	3/16 x 3/32	2.438	1.375	5/16 x 5/32	73.75
	182/4T	7/16 - 14	1	0.875	3/16 x 3/32	2.438	1.375	5/16 x 5/32	73.75

Dimensions shown in this catalog are for general use only.
 For an exact drawing on a specific rating, please contact our sales office.

HdR Series - HD Cast Iron Worm Gear Reducers: Competitive Interchange

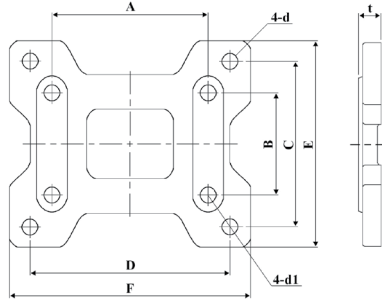
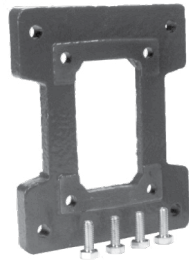
	Center Distance	1.33	1.75	2.06	2.37	2.62	3.25
<p>C-FACE INPUT SHAFT OUTPUT</p>	WorldWide Electric	HdRF133-L/R	HdRF175-L/R	HdRF206-L/R	HdRF237-L/R	HdRF262-L/R	HdRF325-L/R
	Alling Lander	13UF	17UF	20UF	23UF	26UF	32UF
	Baldor	F913	F918	F921	F924	F926	F932
	Boston	F713	F718	F721	F724	F726	F732
	Browning - Raider	Q133	Q175	Q206	Q237	Q262	Q325
	Dodge - Tigear	Q133	Q175	Q200	—	Q262	—
	Electra *	MSC13	MSC17	MSC21	—	MSC26	—
	Falk - Omnibox	1133WBM	1175WBM	1206WBM	1238WBM	1262WBM	1325WBM
	Grove (New)	BMQ213	BMQ218	BMQ220	BMQ224	BMQ226	BMQ232
	Grove (Old)	BMQ1133	BMQ1175	BMQ1206	BMQ1238	BMQ1262	BMQ1325
	Hub City *	134	184	214	—	264	324
	Leeson	BMQ613	BMQ618	BMQ621	BMQ624	BMQ626	BMQ632
	Morse Cobra *	13Q	18Q	21Q	—	26Q	—
	Morse Raider	713F	718F	721F	724F	726F	732F
	Ohio Gear	BMQ2133	BMQ2175	BMQ2206	BMQ2238	BMQ2262	BMQ2325
Winsmith *	913MDN	917MDN	920MDN	924MDN	926MDN	—	
<p>C-FACE INPUT HOLLOW BORE OUTPUT</p>	WorldWide Electric	HdRF133-H	HdRF175-H	HdRF206-H	HdRF237-H	HdRF262-H	HdRF325-H
	Alling Lander	13YF	17YF	20YF	23YF	26YF	32YF
	Baldor	HF913	HF918	HF921	HF924	HF926	HF932
	Boston	HF713	HF718	HF721	HF724	HF726	HF732
	Browning - Raider	QH133	QH175	QH206	QH237	QH262	QH325
	Electra *	—	MHSC17	MHSC21	—	MHSC26	—
	Falk - Omnibox	1133WBQM	1175WBQM	1206WBQM	1238WBQM	1262WBQM	1325WBQM
	Grove (New)	HMQ213	HMQ218	HMQ220	HMQ224	HMQ226	HMQ232
	Grove (Old)	HMQ1133	HMQ1175	HMQ1206	HMQ1238	HMQ1262	HMQ1325
	Hub City *	—	185	215	—	265	325
	Leeson	HMQ613	HMQ618	HMQ621	HMQ624	HMQ626	HMQ632
	Morse Cobra *	13QH	18QH	21QH	—	26QH	—
	Morse Raider	713SF	718SF	721SF	724SF	726SF	732SF
	Ohio Gear	SM2133MQ	SM2175MQ	SM2206MQ	SM2238MQ	SM2262MQ	SM2325MQ
	Winsmith *	—	917MDSN	920MDSN	924MDSN	926MDSN	—
<p>SHAFT INPUT SHAFT OUTPUT</p>	WorldWide Electric	HdRS133	HdRS175	HdRS206	HdRS237	HdRS262	HdRS325
	Alling Lander	13U	17U	20U	23U	26U	32U
	Baldor	S913	S918	S921	S924	S926	S932
	Boston	713	718	721	724	726	732
	Browning - Raider	U133	U175	U206	U237	U262	U325
	Dodge - Tigear	S133	S175	S200	—	S262	—
	Electra *	M13	M17	M21	—	M26	—
	Falk - Omnibox	1133WB	1175WB	1206WB	1238WB	1262WB	1325WB
	Grove (New)	B213	B218	B220	B224	B226	B232
	Grove (Old)	B1133	B1175	B1206	B1238	B1262	B1325
	Hub City *	131	181	211	—	261	321
	Leeson	B613	B618	B621	B624	B626	B632
	Morse Cobra *	13U	18U	21U	—	26U	—
	Morse Raider	713B	718B	721B	724B	726B	732B
	Ohio Gear	B2133	B2175	B2206	B2238	B2262	B2325
Winsmith *	913DN	917DN	920DN	924DN	926DN	—	

* WorldWide worm gearboxes are not dimensionally interchangeable with these manufacturers.
 ** WorldWide hollow bore worm gearboxes have only one output diameter bore available per center distance.

HdR Series - HD Cast Iron Worm Gear Reducers: Accessories and Parts

Mounting Bases

- Box Sizes 1.33 - 3.25
- Includes Mounting Bolts



Box Size	Model Number	List Price
133	HdRBASE133	\$33.97
154	HdRBASE154	\$38.21
175	HdRBASE175	\$42.46
206	HdRBASE206	\$50.95
237	HdRBASE237	\$59.44
262	HdRBASE262	\$67.94
325	HdRBASE325	\$76.42

All dimensions in inches									
Box Size	A	B	C	D	E	F	t	d	d1
133	3.25	2.00	3.31	4.38	4.19	5.38	0.53	1 1/2	3/8
154	4.19	2.75	4.31	5.25	5.44	6.44	0.59	1 1/2	3/8
175	4.19	2.75	4.50	5.75	5.69	7.00	0.69	1 3/2	3/8
206	5.00	2.88	4.69	6.38	5.94	7.75	0.72	1 3/2	7/16
237	5.00	2.88	4.88	7.06	6.22	8.50	0.75	1 3/2	7/16
262	6.38	3.38	5.25	8.00	6.66	9.63	0.75	1 3/2	7/16
325	7.50	4.00	6.13	9.50	7.66	11.19	0.88	1 3/2	1/2

Model Number	Description	List Price
Breather Plugs		
BREATHER_BRR-PT14	BREATHER PLUG HdRF133-HdRF262 / HdRS133-HdRS262	\$21.55
BREATHER_BRR-PT38	BREATHER PLUG HdRF325 / HdRS325	\$23.43
Bearings / Input		
HdR-PBA30203	INPUT BEARING HdRF133-HdRF206	\$38.07
HdR-PBA30204	INPUT BEARING HdRS133	\$32.33
HdR-PBA30205	INPUT BEARING HdRF237-HdRF262 / HdRS175-HdRS206	\$35.74
HdR-PBA30206	INPUT BEARING HdRF133-HdRF206 / HdRF325	\$41.06
HdR-PBA30207	INPUT BEARING HdRS325	\$51.70
Bearings / Output		
HdR-PBA30204	OUTPUT BEARING HdRF133 / HdRS133	\$32.33
HdR-PBA30206	OUTPUT BEARING HdRF175-HdRF206 / HdRS175-HdRS206	\$41.06
HdR-PBA30207	OUTPUT BEARING HdRF237-HdRF262 / HdRS237-HdRS262	\$51.70
HdR-PBA30208	OUTPUT BEARING HdRF325 / HdRS325	\$61.47
HdR-PBA32008	OUTPUT BEARING HdRF175 HOLLOW BORE	\$80.84
HdR-PBA32009	OUTPUT BEARING HdRF206 HOLLOW BORE	\$98.91
HdR-PBA32010	OUTPUT BEARING HdRF237 HOLLOW BORE	\$113.59
HdR-PBA32012	OUTPUT BEARING HdRF262 HOLLOW BORE	\$165.08
HdR-PBA32014	OUTPUT BEARING HdRF325 HOLLOW BORE	\$253.79
Input Flanges		
HdR-KFYG0331651	INPUT FLANGE HdRF133-HdRF154 (56C)	\$112.90
HdR-KFYG0451651	INPUT FLANGE HdRF175-HdRF206 (56C)	\$121.40
HdR-KFYG0611651	INPUT FLANGE HdRF237-HdRF262 (56C/145TC)	\$125.32
HdR-KFYG0612281	INPUT FLANGE HdRF262 (182/4TC)	\$232.08
HdR-KFYG0831651	INPUT FLANGE HdRF325 (56C/145TC)	\$143.06
HdR-KFYG0832281	INPUT FLANGE HdRF325 (182/4TC)	\$270.98
Oil Seals / Sealed		
HdR-PSS000040087	OIL SEAL / SEALED HdRF133-HdRF206	\$11.13
HdR-PSS000052079	OIL SEAL / SEALED HdRF237-HdRF262	\$17.98
HdR-PSS000062107	OIL SEAL / SEALED HdRF325	\$25.43
Oil Seals / Input		
HdR-PSS030042081	OIL SEAL / INPUT HdRF133-HdRF325 (56C)	\$14.46
HdR-PSS035042081	OIL SEAL / INPUT HdRF237-HdRF262 (145TC)	\$11.29
HdR-PSS045062081	OIL SEAL / INPUT HdRF262-HdRF325 (182/4TC)	\$11.29
HdR-PSS045062081	OIL SEAL / INPUT HdRF325 (145TC)	\$11.29
HdR-PSS017035071	OIL SEAL / INPUT HdRS133 (56C)	\$10.22
HdR-PSS020035081	OIL SEAL / INPUT HdRS175-HdRS206 (56C)	\$9.09
HdR-PSS025035061	OIL SEAL / INPUT HdRS237-HdRS262 (56C)	\$10.22
HdR-PSS030040071	OIL SEAL / INPUT HdRS325-(56C)	\$11.29

Model Number	Description	List Price
Oil Seals / Output		
HdR-PSS020032061	OIL SEAL / OUTPUT HdRF133 / HdRS133	\$10.07
HdR-PSS025045081	OIL SEAL / OUTPUT HdRF175 / HdRS175	\$15.37
HdR-PSS030047061	OIL SEAL / OUTPUT HdRF206 / HdRS206	\$17.48
HdR-PSS035050081	OIL SEAL / OUTPUT HdRF237 / HdRS237	\$14.30
HdR-PSS035055081	OIL SEAL / OUTPUT HdRF262 / HdRS262	\$16.43
HdR-PSS040055081	OIL SEAL / OUTPUT HdRF325 / HdRS325	\$14.30
HdR-PSS040062091	OIL SEAL / OUTPUT HdRF175 HOLLOW BORE	\$16.10
HdR-PSS045065101	OIL SEAL / OUTPUT HdRF206 HOLLOW BORE	\$11.29
HdR-PSS050072121	OIL SEAL / OUTPUT HdRF237 HOLLOW BORE	\$26.54
HdR-PSS060082121	OIL SEAL / OUTPUT HdRF262 HOLLOW BORE	\$33.39
HdR-PSS070095131	OIL SEAL / OUTPUT HdRF325 HOLLOW BORE	\$42.38
Output Flanges		
HdR133-OPF	OUTPUT FLANGE HdRF133-H	\$35.22
HdR154-OPF	OUTPUT FLANGE HdRF154-H	\$58.78
HdR175-OPF	OUTPUT FLANGE HdRF175-H	\$82.34
HdR206-OPF	OUTPUT FLANGE HdRF206-H	\$94.00
HdR237-OPF	OUTPUT FLANGE HdRF237-H	\$105.63
HdR262-OPF	OUTPUT FLANGE HdRF262-H	\$117.56
HdR325-OPF	OUTPUT FLANGE HdRF325-H	\$129.19
Set Screws		
HdR-H-PTCB10006F	SET SCREW HdRF133-HdRF175 / HdRS133-HdRS175	\$1.53
HdR-H-PTCB02009F	SET SCREW HdRF206-HdRF237 / HdRS206-HdRS237	\$1.53
HdR-H-PTCB02011F	SET SCREW HdRF262 / HdRS262	\$1.53
HdR-H-PTCBH2009F	SET SCREW HdRF325 / HdRS325	\$1.53

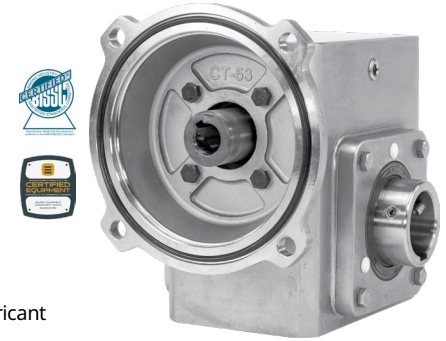
Reducer Size CD (in.)	Output Bore Size	Model Number	Inner Diameter I.D. (in.)	List Price
Bushing Kits				
2.06	1-1/8"	HdRB118.1	1"	\$98.74
2.37	1-1/4"	HdRB114.1	1"	\$98.74
2.62	1-7/16"	HdRB1716.1	1"	\$172.62
3.25	1-15/16"	HdRB11516.114	1-1/4"	\$189.58
		HdRB11516.1716	1-7/16"	\$189.58
		HdRB11516.112	1-1/2"	\$189.58

SSHdR Series - Stainless Steel Worm Gear Reducers: Product Overview

Product Specifications

- 5:1 - 100:1 ratios
- Box sizes (Center distances 1.75" - 3.25")
- 304 stainless steel housing, covers and flange
- BEAG certified - formerly BISSC
- IP69K protection against close-range high pressure, high temperature spray downs
- Magnetic hardware allows for recognition by metal detection devices to prevent contamination
- Double-lipped VITON oil seals (at output)
- Smooth, polished surfaces and etched nameplate

- Internal bladder functions as a breather and effectively dispels heat
- 15CrMo4 NEMA quill input with carburizing heat treatment
- CuSn12Ni2 bronze alloy worm wheel with high efficiency gear tooth configuration
- RoHS plastic covers supplied to fill unused mounting slots
- O-ring provided on input flange to prevent moisture intrusion
- Performance equivalent to other major brands
- Units filled with Mobil CIBUS 460 H1 food grade lubricant
- 1 year warranty



Ratio	Output RPM @ 1750 RPM Input	WCD Center (in.)	NEMA Motor Frame	Approx. Wt. (lbs.)	Model Number	List Price
5:1	350	1.75	56C	16	SSHdR175-5/1-H-56C-1.0	\$1,499.69
		2.06	56C	22	SSHdR206-5/1-H-56C-1.716	\$1,529.14
		2.37	56C	28	SSHdR237-5/1-H-56C-1.716	\$1,991.28
		2.62	145TC	39	SSHdR262-5/1-H-145TC-1.1516	\$2,589.35
		3.25	56C	66	SSHdR325-5/1-H-56C-2.316	\$3,360.71
10:1	175	3.25	145TC	66	SSHdR325-5/1-H-145TC-2.316	\$3,360.71
		1.75	56C	16	SSHdR175-10/1-H-56C-1.0	\$1,401.14
		2.06	56C	22	SSHdR206-10/1-H-56C-1.716	\$1,529.14
		2.37	56C	28	SSHdR237-10/1-H-56C-1.716	\$1,861.03
		2.62	145TC	39	SSHdR262-10/1-H-145TC-1.1516	\$2,429.65
15:1	120	3.25	56C	66	SSHdR325-10/1-H-56C-2.316	\$3,360.71
		3.25	145TC	66	SSHdR325-10/1-H-145TC-2.316	\$3,360.71
		1.75	56C	16	SSHdR175-15/1-H-56C-1.0	\$1,401.14
		2.06	56C	22	SSHdR206-15/1-H-56C-1.716	\$1,529.14
		2.37	56C	28	SSHdR237-15/1-H-56C-1.716	\$1,861.03
20:1	88	2.62	145TC	39	SSHdR262-15/1-H-145TC-1.1516	\$2,429.65
		3.25	56C	66	SSHdR325-15/1-H-56C-2.316	\$3,360.71
		3.25	145TC	66	SSHdR325-15/1-H-145TC-2.316	\$3,360.71
		1.75	56C	16	SSHdR175-20/1-H-56C-1.0	\$1,401.14
		2.06	56C	22	SSHdR206-20/1-H-56C-1.716	\$1,529.14
30:1	58	2.37	56C	28	SSHdR237-20/1-H-56C-1.716	\$1,861.03
		2.62	56C	39	SSHdR262-20/1-H-56C-1.716	\$2,429.65
		2.62	145TC	39	SSHdR262-20/1-H-145TC-1.1516	\$2,429.65
		3.25	56C	66	SSHdR325-20/1-H-56C-2.316	\$3,360.71
		3.25	145TC	66	SSHdR325-20/1-H-145TC-2.316	\$3,360.71
40:1	44	1.75	56C	16	SSHdR175-30/1-H-56C-1.0	\$1,401.14
		2.06	56C	22	SSHdR206-30/1-H-56C-1.716	\$1,529.14
		2.37	56C	28	SSHdR237-30/1-H-56C-1.716	\$1,861.03
		2.62	56C	39	SSHdR262-30/1-H-56C-1.1516	\$2,429.65
		2.62	145TC	39	SSHdR262-30/1-H-145TC-1.1516	\$2,429.65
50:1	35	3.25	56C	66	SSHdR325-30/1-H-56C-2.316	\$3,360.71
		3.25	145TC	66	SSHdR325-30/1-H-145TC-2.316	\$3,360.71
		1.75	56C	16	SSHdR175-40/1-H-56C-1.0	\$1,401.14
		2.06	56C	22	SSHdR206-40/1-H-56C-1.716	\$1,529.14
		2.37	56C	28	SSHdR237-40/1-H-56C-1.716	\$1,861.03
60:1	29	2.62	56C	39	SSHdR262-40/1-H-56C-1.1516	\$2,429.65
		3.25	56C	66	SSHdR325-40/1-H-56C-2.316	\$3,360.71
		3.25	145TC	66	SSHdR325-40/1-H-145TC-2.316	\$3,360.71
		1.75	56C	16	SSHdR175-50/1-H-56C-1.0	\$1,401.14
		2.06	56C	22	SSHdR206-50/1-H-56C-1.716	\$1,529.14
80:1	22	2.37	56C	28	SSHdR237-50/1-H-56C-1.716	\$1,861.03
		2.62	56C	39	SSHdR262-50/1-H-56C-1.1516	\$2,429.65
		3.25	56C	66	SSHdR325-50/1-H-56C-2.316	\$3,360.71
		3.25	145TC	66	SSHdR325-50/1-H-145TC-2.316	\$3,360.71
		1.75	56C	16	SSHdR175-60/1-H-56C-1.0	\$1,401.14
100:1	18	2.06	56C	22	SSHdR206-60/1-H-56C-1.716	\$1,529.14
		2.37	56C	28	SSHdR237-60/1-H-56C-1.716	\$1,861.03
		2.62	56C	39	SSHdR262-60/1-H-56C-1.1516	\$2,429.65
		3.25	56C	66	SSHdR325-60/1-H-56C-2.316	\$3,360.71
		3.25	145TC	66	SSHdR325-60/1-H-145TC-2.316	\$3,360.71
		2.06	56C	22	SSHdR206-80/1-H-56C-1.716	\$1,529.14
		2.37	56C	28	SSHdR237-80/1-H-56C-1.716	\$1,861.03
		2.62	56C	39	SSHdR262-80/1-H-56C-1.1516	\$2,429.65
		3.25	143TC	66	SSHdR325-80/1-H-143TC-2.316	\$3,360.71
		2.06	56C	22	SSHdR206-100/1-H-56C-1.716	\$1,529.14
		2.37	56C	28	SSHdR237-100/1-H-56C-1.716	\$1,861.03
		2.62	56C	39	SSHdR262-100/1-H-56C-1.1516	\$2,429.65
		3.25	56C	66	SSHdR325-100/1-H-56C-2.316	\$3,360.71

2
SSHdR SERIES - STAINLESS
STEEL REDUCERS

SSHdR Series - Stainless Steel Worm Gear Reducers: Mechanical Ratings

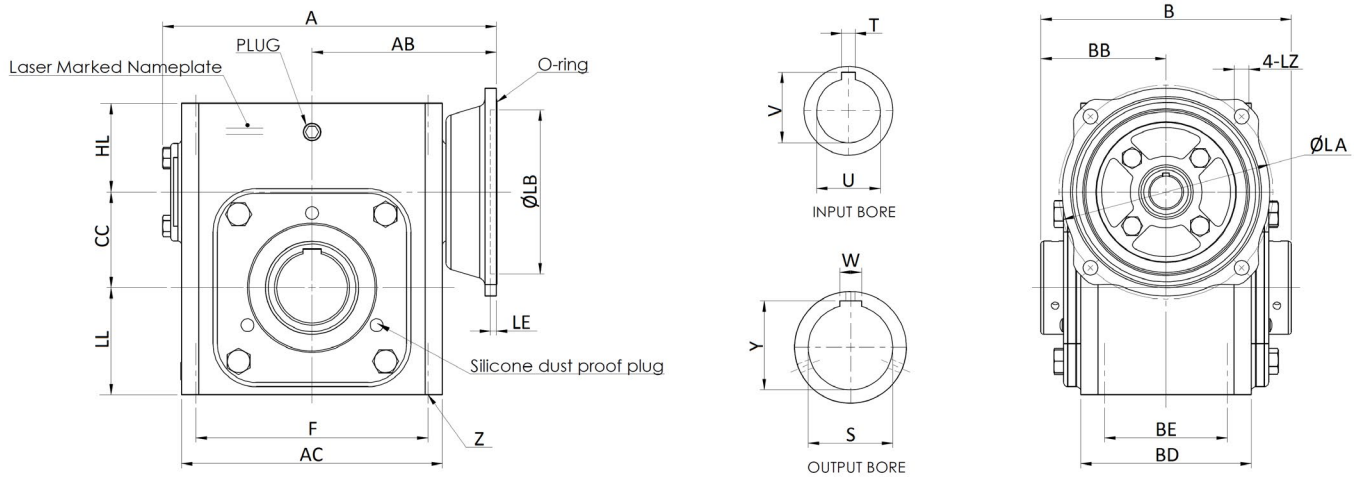
2

SSHDR SERIES - STAINLESS
STEEL REDUCERS

Input Speed: 1750 RPM												
Series Size			Mechanical			Thermal			Efficiency (%)	O.H.L. (lbs.)	Output Shaft Thrust Load (lbs.)	Backlash (Angular Min.) (')
Box Size	Nominal Ratio	Actual Ratio	Input HP	Output Torque (lb-in)	Output HP	Input HP	Output Torque (lb-in)	Output HP				
175	5	5.25	2.36	416	2.20	1.99	350	1.85	93.2	650	550	20
	10	10	1.52	495	1.38	1.43	467	1.30	90.5			
	15	15	1.09	506	0.94	0.96	448	0.83	85.9			
	20	20.5	0.85	527	0.71	0.85	514	0.71	84.0			
	30	30	0.65	532	0.49	0.56	460	0.43	75.8			
	40	40	0.57	599	0.42	0.50	527	0.37	72.9			
	50	50	0.44	568	0.32	Thermal Equals Mechanical			71.7			
	60	60	0.31	457	0.21	Thermal Equals Mechanical			68.3			
	80	80	0.26	488	0.17	Thermal Equals Mechanical			65.1			
	100	100	0.21	460	0.13	Thermal Equals Mechanical			60.8			
206	5	5.25	3.62	640	3.38	3.04	538	2.84	93.5	700	750	17
	10	10	2.47	799	2.22	1.94	627	1.74	89.8			
	15	15	1.80	850	1.57	1.57	741	1.37	87.4			
	20	20.5	1.48	907	1.23	1.16	713	0.97	83.0			
	30	30	0.95	802	0.74	0.90	762	0.71	78.1			
	40	40	0.76	774	0.54	0.67	687	0.48	70.7			
	50	50	0.60	771	0.43	Thermal Equals Mechanical			71.4			
	60	60	0.52	777	0.36	Thermal Equals Mechanical			69.2			
	80	80	0.39	706	0.24	Thermal Equals Mechanical			62.8			
	100	100	0.33	698	0.19	Thermal Equals Mechanical			58.7			
237	5	5.25	4.32	767	4.06	3.91	693	3.67	93.9	900	900	17
	10	10	3.23	1055	2.93	2.56	837	2.32	90.7			
	15	15	2.36	1108	2.05	1.82	854	1.58	86.9			
	20	20.5	2.01	1243	1.68	1.47	910	1.23	83.8			
	30	30	1.33	1105	1.02	1.03	857	0.79	76.9			
	40	40	1.07	1156	0.80	0.95	1029	0.71	75.0			
	50	50	0.87	1111	0.62	0.82	1045	0.58	70.9			
	60	60	0.71	1008	0.47	0.69	986	0.46	65.7			
	80	80	0.48	871	0.30	Thermal Equals Mechanical			63.0			
	100	100	0.37	767	0.21	Thermal Equals Mechanical			57.6			
262	5	5.25	5.24	933	4.94	5.17	920	4.87	94.2	1000	1000	17
	10	10	3.96	1301	3.61	3.41	1119	3.11	91.2			
	15	15	2.96	1415	2.62	2.61	1246	2.31	88.5			
	20	20.5	2.36	1472	1.99	1.93	1206	1.63	84.5			
	30	30	1.68	1446	1.34	1.48	1271	1.18	79.7			
	40	40	1.33	1454	1.01	1.24	1360	0.94	75.9			
	50	50	1.08	1423	0.79	Thermal Equals Mechanical			73.2			
	60	60	0.89	1279	0.59	Thermal Equals Mechanical			66.5			
	80	80	0.62	1159	0.40	Thermal Equals Mechanical			64.9			
	100	100	0.46	961	0.27	Thermal Equals Mechanical			58.0			
325	5	5.25	9.72	1740	9.20	8.14	1458	7.71	94.7	1200	1100	15
	10	10	6.60	2184	6.07	5.33	1763	4.90	91.9			
	15	15	4.94	2380	4.41	4.00	1925	3.56	89.2			
	20	20.5	3.93	2530	3.43	3.37	2170	2.94	87.2			
	30	30	2.84	2476	2.29	2.24	1949	1.80	80.7			
	40	40	2.22	2523	1.75	2.04	2324	1.61	78.9			
	50	50	1.80	2434	1.35	1.73	2343	1.30	75.1			
	60	60	1.49	2286	1.06	Thermal Equals Mechanical			71.0			
	80	80	0.94	1760	0.61	Thermal Equals Mechanical			65.0			
	100	100	0.71	1611	0.45	Thermal Equals Mechanical			63.0			

* Thermal limit ratings - max. input HP at 20°C ambient temperature with HI Food Grade 460 lubricant

SSHdR Series - Stainless Steel Worm Gear Reducers: Dimensions



2
SSHdR SERIES - STAINLESS
STEEL REDUCERS

All listed dimensions in inches

Box Size	NEMA Frame	A	AB	AC	B	BB	BD	BE	CC	F	HL	LL
175	56C	7.05	4.04	5.06	5.7	2.85	3.57	2.75	1.75	4.19	1.94	2.06
206	56C	7.72	4.37	5.75	6.44	3.22	3.82	2.88	2.06	5	2.03	2.28
237	56C	8.41	4.69	6.38	6.44	3.22	4.06	2.88	2.38	5	2.06	2.5
	145TC	8.41	4.69	6.38	6.44	3.22	4.06	2.88	2.38	5	2.06	2.5
262	56C	9.16	5.06	7.17	6.88	3.44	4.69	3.37	2.62	6.37	2.44	2.94
	145TC	9.16	5.06	7.17	6.88	3.44	4.69	3.37	2.62	6.37	2.44	2.94
325	56C	11.17	6.06	9.02	8.62	4.31	5.75	4	3.25	7.5	2.63	3.5
	145TC	11.17	6.06	9.02	8.62	4.31	5.75	4	3.25	7.5	2.63	3.5

Box Size	NEMA Frame	Z	INPUT BORE (inches)			OUTPUT BORE (inches)			FLANGE (inches)			
			U	T	V	S	W	Y	LA	LB	LE	LZ
175	56C	2x4-5/16-18UNCx0.5"	0.625	0.19	0.71	1	0.25	1.11	5.875	4.5	0.16	0.41
206	56C	2x4-3/8-16UNCx0.55"	0.625	0.19	0.71	1.438	0.38	1.54	5.875	4.5	0.16	0.41
237	56C	2x4-3/8-16UNCx0.59"	0.625	0.19	0.71	1.438	0.38	1.54	5.875	4.5	0.16	0.41
	145TC	2x4-3/8-16UNCx0.59"	0.875	0.19	0.96	1.438	0.38	1.54	5.875	4.5	0.16	0.41
262	56C	2x4-3/8-16UNCx1"	0.625	0.19	0.71	1.938	0.5	2.03	5.875	4.5	0.16	0.41
	145TC	2x4-3/8-16UNCx1"	0.875	0.19	0.96	1.938	0.5	2.03	5.875	4.5	0.16	0.41
325	56C	2x4-7/16-14UNCx0.86"	0.625	0.19	0.71	2.188	0.5	2.29	5.875	4.5	0.16	0.41
	145TC	2x4-7/16-14UNCx0.86"	0.875	0.19	0.96	2.188	0.5	2.29	5.875	4.5	0.16	0.41

Dimensions shown in this catalog are for general use only. For an exact drawing on a specific rating, please contact our sales office.

SSHdR Series - Stainless Steel Worm Gear Reducers: Accessories and Parts

Output Covers

- Stainless Steel output covers.
- Sizes available for 1.75" through 3.25" center distances.

Reducer Size CD (in.)	Model Number	Engineering Make-up	List Price
1.75	SSHdR175-H-OPC	Non Toxic -PP	\$8.50
2.06	SSHdR206-H-OPC	Non Toxic -PP	\$8.50
2.37	SSHdR237-H-OPC	Non Toxic -PP	\$8.50
2.62	SSHdR262-H-OPC	Non Toxic -PP	\$8.50
3.25	SSHdR325-H-OPC	Non Toxic -PP	\$8.50



SSHdR Series - Stainless Steel Worm Gear Reducers: Accessories and Parts

Stainless Steel Bushing Kits

- Stainless Steel Bushing Kits include sizing inserts, keys and set screws.
- Sizes available for 1.75" through 3.25" center distances.
- Stainless Steel Bushing Kits are not suitable for cast iron gear reducers. Please see page 39 for cast iron bushing kits.



SSHdR Output Flanges



Reducer Size CD (in.)	Output Bore Size	Model Number	Outer Diameter O.D. (in.)	Inner Diameter I.D. (in.)	List Price
1.75	1"	SSB1.58	1"	5/8"	\$106.47
	1"	SSB1.1116	1"	11/16"	\$106.47
	1"	SSB1.34	1"	3/4"	\$106.47
	1"	SSB1.78	1"	7/8"	\$106.47
	1"	NOT REQUIRED	1"	1"	---
2.06	1-7/16"	SSB1716.1	1-7/16"	1"	\$134.80
	1-7/16"	SSB1716.1.18	1-7/16"	1-1/8"	\$134.80
	1-7/16"	SSB1716.1.316	1-7/16"	1-3/16"	\$134.80
	1-7/16"	SSB1716.1.14	1-7/16"	1-1/4"	\$134.80
	1-7/16"	NOT REQUIRED	1-7/16"	1-7/16"	---
2.37	1-7/16"	SSB1716.1	1-7/16"	1"	\$134.80
	1-7/16"	SSB1716.1.18	1-7/16"	1-1/8"	\$134.80
	1-7/16"	SSB1716.1.316	1-7/16"	1-3/16"	\$134.80
	1-7/16"	SSB1716.1.14	1-7/16"	1-1/4"	\$134.80
	1-7/16"	NOT REQUIRED	1-7/16"	1-7/16"	---
2.62	1-15/16"	SSB11516.1	1-15/16"	1"	\$168.77
	1-15/16"	SSB11516.1.18	1-15/16"	1-1/8"	\$168.77
	1-15/16"	SSB11516.1.316	1-15/16"	1-3/16"	\$168.77
	1-15/16"	SSB11516.1.14	1-15/16"	1-1/4"	\$168.77
	1-15/16"	SSB11516.1.716	1-15/16"	1-7/16"	\$168.77
	1-15/16"	SSB11516.1.12	1-15/16"	1-1/2"	\$168.77
	1-15/16"	NOT REQUIRED	1-15/16"	1-15/16"	---
3.25	2-3/16"	SSB2316.1.14	2-3/16"	1-1/4"	\$192.56
	2-3/16"	SSB2316.1.716	2-3/16"	1-7/16"	\$192.56
	2-3/16"	SSB2316.1.12	2-3/16"	1-1/2"	\$192.56
	2-3/16"	SSB2316.1.58	2-3/16"	1-5/8"	\$192.56
	2-3/16"	SSB2316.1.1116	2-3/16"	1-11/16"	\$192.56
	2-3/16"	SSB2316.1.34	2-3/16"	1-3/4"	\$192.56
	2-3/16"	SSB2316.1.1516	2-3/16"	1-15/16"	\$192.56
	2-3/16"	SSB2316.2	2-3/16"	2"	\$192.56
	2-3/16"	NOT REQUIRED	2-3/16"	2-3/16"	---

Model Number	Description	List Price
SSHdR175-SCF	OUTPUT FLANGE SSHdR175	\$271.67
SSHdR206-SCF	OUTPUT FLANGE SSHdR206	\$380.69
SSHdR237-SCF	OUTPUT FLANGE SSHdR237	\$435.21
SSHdR262-SCF	OUTPUT FLANGE SSHdR262	\$489.72

Single Output Shafts

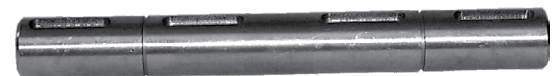
- Kit includes single output shaft, keys, endplate and bolt.



Box Size	Shaft Diameter (in.)	Shaft Length (in.)	Model Number	List Price
175	0.875	1.781	SSHdR175-OPS-S	\$107.61
206	1	2.090	SSHdR206-OPS-S	\$114.40
237	1.125	2.370	SSHdR237-OPS-S	\$146.11
262	1.125	2.626	SSHdR262-OPS-S-1.125	\$163.11
262	1.25	2.626	SSHdR262-OPS-S	\$163.11
325	1.375	3.250	SSHdR325-OPS-S-1.375	\$232.21
325	1.5	3.250	SSHdR325-OPS-S	\$232.21

Double Output Shafts

- Kit includes double output shaft, keys, retaining rings and C-clips.



Box Size	Shaft Diameter (in.)	Shaft Length (in.)	Model Number	List Price
175	0.875	1.781	SSHdR175-OPS-DS	\$150.65
206	1	2.090	SSHdR206-OPS-DS	\$161.98
237	1.125	2.370	SSHdR237-OPS-DS	\$202.75
262	1.125	2.626	SSHdR262-OPS-DS-1.125	\$223.15
262	1.25	2.626	SSHdR262-OPS-DS	\$223.15
325	1.375	3.250	SSHdR325-OPS-DS-1.375	\$318.28
325	1.5	3.250	SSHdR325-OPS-DS	\$318.28

Hollow Output Shaft Oil Seals

- Tapered seals sold in quantities of two.

Unit Size	Max. Bore Size	Bearing #	Model Number	List Price
SSHdR175-H	1"	32008	SSHdR-PSS040062083	\$19.66
SSHdR206-H	1-7/16"	32010	SSHdR-PSS050068083	\$22.68
SSHdR237-H	1-7/16"	32010	SSHdR-PSS050072123	\$25.70
SSHdR262-H	1-15/16"	32013	SSHdR-PSS065088123	\$33.79
SSHdR325-H	2-3/16"	32015	SSHdR-PSS075100133	\$42.88

2
SSHDR SERIES - STAINLESS STEEL REDUCERS

CALM Series - Aluminum Worm Gear Reducers - NEMA: Product Overview

Product Specifications

- 7.5:1 - 100:1 ratios
- Box sizes (Center distances 30 mm - 90 mm)
- Aluminum alloy housing for light weight design
- Hardened worm shaft for increased durability
- Two bearings on input and output shafts
- NEMA motor input flanges
- All units filled with synthetic oil (Mobil SHC632) for an "M1" position mounting
- Adjust oil level for alternative mounting positions
- Double lip oil seals prevent leakage
- Multiple mounting holes for all angle mounts
- Powder coat paint plan on external housing to resist corrosion
- Hollow output bores with plug-in output shafts
- 1 year warranty



2
CALM SERIES - ALUMINUM
WORM GEAR REDUCERS

Ratio	Output RPM @ 1750 RPM Input	WCD Center (mm)	HP	NEMA Motor Frame	Approx. Wt. (lbs.)	Model Number	List Price
7.5:1	233	30	0.70	56C	3	CALM30-7.5/1-56C	\$187.14
		40	1.50	56C	5	CALM40-7.5/1-56C	\$229.97
		50	2.72	56C	8	CALM50-7.5/1-56C	\$317.42
		63	4.46	56C	13	CALM63-7.5/1-56C	\$410.99
		63	4.46	145TC	13	CALM63-7.5/1-145TC	\$410.99
		75	6.44	56C	19	CALM75-7.5/1-56C	\$594.64
		75	6.44	145TC	19	CALM75-7.5/1-145TC	\$594.64
		75	6.44	182/4TC	19	CALM75-7.5/1-182/4TC	\$594.64
		90	10.98	56C	28	CALM90-7.5/1-56C	\$680.31
		90	10.98	145TC	28	CALM90-7.5/1-145TC	\$680.31
90	10.98	182/4TC	28	CALM90-7.5/1-182/4TC	\$680.31		
10:1	175	30	0.54	56C	3	CALM30-10/1-56C	\$187.14
		40	1.21	56C	5	CALM40-10/1-56C	\$229.97
		50	2.12	56C	8	CALM50-10/1-56C	\$317.42
		63	3.52	56C	13	CALM63-10/1-56C	\$410.99
		63	3.52	145TC	13	CALM63-10/1-145TC	\$410.99
		75	5.20	56C	19	CALM75-10/1-56C	\$594.64
		75	5.20	145TC	19	CALM75-10/1-145TC	\$594.64
		75	5.20	182/4TC	19	CALM75-10/1-182/4TC	\$594.64
		90	8.92	56C	28	CALM90-10/1-56C	\$680.31
		90	8.92	145TC	28	CALM90-10/1-145TC	\$680.31
90	8.92	182/4TC	28	CALM90-10/1-182/4TC	\$680.31		
15:1	117	30	0.38	56C	3	CALM30-15/1-56C	\$187.14
		40	0.83	56C	5	CALM40-15/1-56C	\$229.97
		50	1.52	56C	8	CALM50-15/1-56C	\$317.42
		63	2.70	56C	13	CALM63-15/1-56C	\$410.99
		63	2.70	145TC	13	CALM63-15/1-145TC	\$410.99
		75	4.07	56C	19	CALM75-15/1-56C	\$594.64
		75	4.07	145TC	19	CALM75-15/1-145TC	\$594.64
		75	4.07	182/4TC	19	CALM75-15/1-182/4TC	\$594.64
		90	7.05	56C	28	CALM90-15/1-56C	\$680.31
		90	7.05	145TC	28	CALM90-15/1-145TC	\$680.31
90	7.05	182/4TC	28	CALM90-15/1-182/4TC	\$680.31		
20:1	88	30	0.28	56C	3	CALM30-20/1-56C	\$187.14
		40	0.63	56C	5	CALM40-20/1-56C	\$229.97
		50	1.14	56C	8	CALM50-20/1-56C	\$317.42
		63	2.06	56C	13	CALM63-20/1-56C	\$410.99
		63	2.06	145TC	13	CALM63-20/1-145TC	\$410.99

Continued On Next Page

**CALM Series - Aluminum Worm Gear Reducers - NEMA:
Product Overview**

2
CALM SERIES - ALUMINUM
WORM GEAR REDUCERS

Ratio	Output RPM @ 1800 RPM Input	WCD Center (mm)	HP	NEMA Motor Frame	Approx. Wt. (lbs.)	Model Number	List Price
20:1	88	75	3.24	56C	19	CALM75-20/1-56C	\$594.64
		75	3.24	145TC	19	CALM75-20/1-145TC	\$594.64
		90	5.33	56C	28	CALM90-20/1-56C	\$680.31
		90	5.33	145TC	28	CALM90-20/1-145TC	\$680.31
		90	5.33	182/4TC	28	CALM90-20/1-182/4TC	\$680.31
25:1	70	30	0.30	56C	3	CALM30-25/1-56C	\$187.14
		40	0.48	56C	5	CALM40-25/1-56C	\$229.97
		50	0.86	56C	8	CALM50-25/1-56C	\$317.42
		63	1.56	56C	13	CALM63-25/1-56C	\$410.99
		75	2.43	56C	19	CALM75-25/1-56C	\$594.64
		75	2.43	145TC	19	CALM75-25/1-145TC	\$594.64
		90	4.18	56C	28	CALM90-25/1-56C	\$680.31
		90	4.18	145TC	28	CALM90-25/1-145TC	\$680.31
		90	4.18	182/4TC	28	CALM90-25/1-182/4TC	\$680.31
30:1	58	30	0.25	56C	3	CALM30-30/1-56C	\$187.14
		40	0.53	56C	5	CALM40-30/1-56C	\$229.97
		50	0.94	56C	8	CALM50-30/1-56C	\$317.42
		63	1.64	56C	13	CALM63-30/1-56C	\$410.99
		75	2.41	56C	19	CALM75-30/1-56C	\$594.64
		75	2.41	145TC	19	CALM75-30/1-145TC	\$594.64
		90	4.21	56C	28	CALM90-30/1-56C	\$680.31
		90	4.21	145TC	28	CALM90-30/1-145TC	\$680.31
		90	4.21	182/4TC	28	CALM90-30/1-182/4TC	\$680.31
40:1	44	30	0.19	56C	3	CALM30-40/1-56C	\$187.14
		40	0.40	56C	5	CALM40-40/1-56C	\$229.97
		50	0.70	56C	8	CALM50-40/1-56C	\$317.42
		63	1.21	56C	13	CALM63-40/1-56C	\$410.99
		75	1.90	56C	19	CALM75-40/1-56C	\$594.64
		90	3.01	56C	28	CALM90-40/1-56C	\$680.31
		90	3.01	145TC	28	CALM90-40/1-145TC	\$680.31
		90	3.01	182/4TC	28	CALM90-40/1-182/4TC	\$680.31
50:1	35	30	0.15	56C	3	CALM30-50/1-56C	\$187.14
		40	0.31	56C	5	CALM40-50/1-56C	\$229.97
		50	0.56	56C	8	CALM50-50/1-56C	\$317.42
		63	0.99	56C	13	CALM63-50/1-56C	\$410.99
		75	1.47	56C	19	CALM75-50/1-56C	\$594.64
		90	2.36	56C	28	CALM90-50/1-56C	\$680.31
		90	2.36	145TC	28	CALM90-50/1-145TC	\$680.31
		90	2.36	182/4TC	28	CALM90-50/1-182/4TC	\$680.31
60:1	29	30	0.12	56C	3	CALM30-60/1-56C	\$187.14
		40	0.25	56C	5	CALM40-60/1-56C	\$229.97
		50	0.47	56C	8	CALM50-60/1-56C	\$317.42
		63	0.82	56C	13	CALM63-60/1-56C	\$410.99
		75	1.22	56C	19	CALM75-60/1-56C	\$594.64
80:1	22	40	0.18	56C	5	CALM40-80/1-56C	\$229.97
		50	0.35	56C	8	CALM50-80/1-56C	\$317.42
		63	0.60	56C	13	CALM63-80/1-56C	\$410.99
		75	0.91	56C	19	CALM75-80/1-56C	\$594.64
		90	1.27	56C	28	CALM90-80/1-56C	\$680.31
100:1	17.5	40	0.14	56C	5	CALM40-100/1-56C	\$229.97
		50	0.26	56C	8	CALM50-100/1-56C	\$317.42
		63	0.51	56C	13	CALM63-100/1-56C	\$410.99
		75	0.74	56C	19	CALM75-100/1-56C	\$594.64
		90	1.03	56C	28	CALM90-100/1-56C	\$680.31

**CALM Series - Aluminum Worm Gear Reducers - IEC:
Product Overview**

Product Specifications

- 7.5:1 - 100:1 ratios
- Box sizes (Center distances 30 mm - 90 mm)
- Aluminum alloy housing for light weight design
- Hardened worm shaft for increased durability
- Two bearings on input and output shafts
- IEC motor input flanges
- All units filled with synthetic oil (Mobil SHC632) for an "M1" position mounting
- Adjust oil level for alternative mounting positions
- Double lip oil seals prevent leakage
- Multiple mounting holes for all angle mounts
- Powder coat paint plan on external housing to resist corrosion
- Hollow output bores with plug-in output shafts
- 1 year warranty



2
CALM SERIES - ALUMINUM
WORM GEAR REDUCERS

Ratio	Output RPM @ 1750 RPM Input	WCD Center (mm)	HP	IEC Motor Frame	Approx. Wt. (lbs.)	Model Number	List Price
7.5:1	233	30	0.70	63B14	3	CALM30-7.5/1-63B14	\$187.14
		40	1.50	63B14	5	CALM40-7.5/1-63B14	\$229.97
		40	1.50	71B14	5	CALM40-7.5/1-71B14	\$229.97
		50	2.72	71B14	8	CALM50-7.5/1-71B14	\$317.42
		50	2.72	80B14	8	CALM50-7.5/1-80B14	\$317.42
		63	4.46	80B14	13	CALM63-7.5/1-80B14	\$410.99
		63	4.46	90B14	13	CALM63-7.5/1-90B14	\$410.99
		75	6.44	90B14	19	CALM75-7.5/1-90B14	\$594.64
		75	6.44	100B14	19	CALM75-7.5/1-100B14	\$594.64
		75	6.44	112B14	19	CALM75-7.5/1-112B14	\$594.64
		90	10.98	112B14	28	CALM90-7.5/1-112B14	\$680.31
		90	10.98	100B14	28	CALM90-7.5/1-100B14	\$680.31
90	10.98	90B14	28	CALM90-7.5/1-90B14	\$680.31		
10:1	175	30	0.54	63B14	3	CALM30-10/1-63B14	\$187.14
		40	1.21	71B14	5	CALM40-10/1-71B14	\$229.97
		40	1.21	63B14	5	CALM40-10/1-63B14	\$229.97
		50	2.12	71B14	8	CALM50-10/1-71B14	\$317.42
		50	2.12	80B14	8	CALM50-10/1-80B14	\$317.42
		63	3.52	80B14	13	CALM63-10/1-80B14	\$410.99
		63	3.52	90B14	13	CALM63-10/1-90B14	\$410.99
		75	5.20	90B14	19	CALM75-10/1-90B14	\$594.64
		75	5.20	100B14	19	CALM75-10/1-100B14	\$594.64
		75	5.20	112B14	19	CALM75-10/1-112B14	\$594.64
		90	8.92	112B14	28	CALM90-10/1-112B14	\$680.31
		90	8.92	100B14	28	CALM90-10/1-100B14	\$680.31
90	8.92	90B14	28	CALM90-10/1-90B14	\$680.31		
15:1	117	30	0.38	63B14	3	CALM30-15/1-63B14	\$187.14
		40	0.83	71B14	5	CALM40-15/1-71B14	\$229.97
		40	0.83	63B14	5	CALM40-15/1-63B14	\$229.97
		50	1.52	71B14	8	CALM50-15/1-71B14	\$317.42
		50	1.52	80B14	8	CALM50-15/1-80B14	\$317.42
		63	2.70	80B14	13	CALM63-15/1-80B14	\$410.99
		63	2.70	90B14	13	CALM63-15/1-90B14	\$410.99
		75	4.07	90B14	19	CALM75-15/1-90B14	\$594.64
		75	4.07	100B14	19	CALM75-15/1-100B14	\$594.64
		75	4.07	112B14	19	CALM75-15/1-112B14	\$594.64
		90	7.05	112B14	28	CALM90-15/1-112B14	\$680.31
		90	7.05	100B14	28	CALM90-15/1-100B14	\$680.31
90	7.05	90B14	28	CALM90-15/1-90B14	\$680.31		
20:1	88	30	0.28	63B14	3	CALM30-20/1-63B14	\$187.14
		40	0.63	71B14	5	CALM40-20/1-71B14	\$229.97
		40	0.63	63B14	5	CALM40-20/1-63B14	\$229.97
		50	1.14	71B14	8	CALM50-20/1-71B14	\$317.42
		50	1.14	80B14	8	CALM50-20/1-80B14	\$317.42
		63	2.06	80B14	13	CALM63-20/1-80B14	\$410.99
63	2.06	90B14	13	CALM63-20/1-90B14	\$410.99		

Continued On Next Page

CALM Series - Aluminum Worm Gear Reducers - IEC:
Product Overview

2
CALM SERIES - ALUMINUM
WORM GEAR REDUCERS

Ratio	Output RPM @ 1800 RPM Input	WCD Center (mm)	HP	IEC Motor Frame	Approx. Wt. (lbs.)	Model Number	List Price		
20:1	88	75	3.24	80B14	19	CALM75-20/1-80B14	\$594.64		
		75	3.24	90B14	19	CALM75-20/1-90B14	\$594.64		
		90	5.33	112B14	28	CALM90-20/1-112B14	\$680.31		
		90	5.33	100B14	28	CALM90-20/1-100B14	\$680.31		
		90	5.33	90B14	28	CALM90-20/1-90B14	\$680.31		
25:1	70	30	0.30	63B14	3	CALM30-25/1-63B14	\$187.14		
		40	0.48	71B14	5	CALM40-25/1-71B14	\$229.97		
		40	0.48	63B14	5	CALM40-25/1-63B14	\$229.97		
		50	0.86	71B14	8	CALM50-25/1-71B14	\$317.42		
		50	0.86	80B14	8	CALM50-25/1-80B14	\$317.42		
		63	1.56	80B14	13	CALM63-25/1-80B14	\$410.99		
		63	1.56	90B14	13	CALM63-25/1-90B14	\$410.99		
		75	2.43	80B14	19	CALM75-25/1-80B14	\$594.64		
		75	2.43	90B14	19	CALM75-25/1-90B14	\$594.64		
		90	4.18	112B14	28	CALM90-25/1-112B14	\$680.31		
		90	4.18	100B14	28	CALM90-25/1-100B14	\$680.31		
90	4.18	90B14	28	CALM90-25/1-90B14	\$680.31				
30:1	58	30	0.25	63B14	3	CALM30-30/1-63B14	\$187.14		
		40	0.53	71B14	5	CALM40-30/1-71B14	\$229.97		
		40	0.53	63B14	5	CALM40-30/1-63B14	\$229.97		
		50	0.94	71B14	8	CALM50-30/1-71B14	\$317.42		
		50	0.94	80B14	8	CALM50-30/1-80B14	\$317.42		
		63	1.64	80B14	13	CALM63-30/1-80B14	\$410.99		
		63	1.64	90B14	13	CALM63-30/1-90B14	\$410.99		
		75	2.41	80B14	19	CALM75-30/1-80B14	\$594.64		
		75	2.41	90B14	19	CALM75-30/1-90B14	\$594.64		
		90	4.21	112B14	28	CALM90-30/1-112B14	\$680.31		
		90	4.21	100B14	28	CALM90-30/1-100B14	\$680.31		
90	4.21	90B14	28	CALM90-30/1-90B14	\$680.31				
40:1	44	30	0.19	63B14	3	CALM30-40/1-63B14	\$187.14		
		40	0.40	71B14	5	CALM40-40/1-71B14	\$229.97		
		50	0.70	71B14	8	CALM50-40/1-71B14	\$317.42		
		63	1.21	71B14	13	CALM63-40/1-71B14	\$410.99		
		63	1.21	80B14	13	CALM63-40/1-80B14	\$410.99		
		75	1.90	80B14	19	CALM75-40/1-80B14	\$594.64		
		75	1.90	90B14	19	CALM75-40/1-90B14	\$594.64		
		90	3.01	90B14	28	CALM90-40/1-90B14	\$680.31		
		90	3.01	80B14	28	CALM90-40/1-80B14	\$680.31		
		50:1	35	30	0.15	63B14	3	CALM30-50/1-63B14	\$187.14
				40	0.31	63B14	5	CALM40-50/1-63B14	\$229.97
50	0.56			71B14	8	CALM50-50/1-71B14	\$317.42		
63	0.99			71B14	13	CALM63-50/1-71B14	\$410.99		
63	0.99			80B14	13	CALM63-50/1-80B14	\$410.99		
75	1.47			80B14	19	CALM75-50/1-80B14	\$594.64		
90	2.36			90B14	28	CALM90-50/1-90B14	\$680.31		
90	2.36			80B14	28	CALM90-50/1-80B14	\$680.31		
60:1	29			40	0.25	63B14	5	CALM40-60/1-63B14	\$229.97
				50	0.47	71B14	8	CALM50-60/1-71B14	\$317.42
				63	0.82	71B14	13	CALM63-60/1-71B14	\$410.99
		63	0.82	80B14	13	CALM63-60/1-80B14	\$410.99		
		75	1.22	80B14	19	CALM75-60/1-80B14	\$594.64		
90	1.93	90B14	28	CALM90-60/1-90B14	\$680.31				
80:1	22	40	0.18	63B14	5	CALM40-80/1-63B14	\$229.97		
		50	0.35	71B14	8	CALM50-80/1-71B14	\$317.42		
		63	0.60	71B14	13	CALM63-80/1-71B14	\$410.99		
		63	0.60	80B14	13	CALM63-80/1-80B14	\$410.99		
		75	0.91	80B14	19	CALM75-80/1-80B14	\$594.64		
90	1.27	80B14	28	CALM90-80/1-80B14	\$680.31				
100:1	17.5	40	0.14	63B14	5	CALM40-100/1-63B14	\$229.97		
		63	0.51	80B14	13	CALM63-100/1-80B14	\$410.99		
		63	0.51	71B14	13	CALM63-100/1-71B14	\$410.99		
		75	0.74	80B14	19	CALM75-100/1-80B14	\$594.64		
90	1.03	80B14	28	CALM90-100/1-80B14	\$680.31				

CALM Series - Aluminum Worm Gear Reducers: Mechanical Ratings

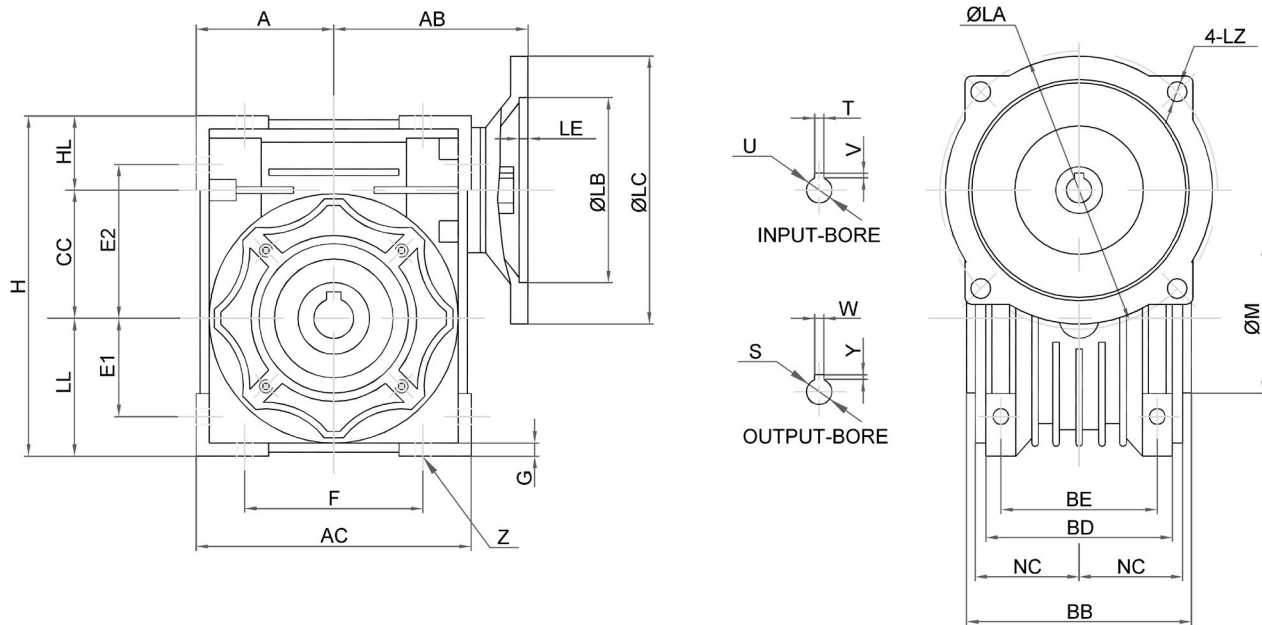
Input Speed		1750 RPM					Output Shaft Thrust Load (lbs.)	Backlash (Angular Minutes) (')	
Box Size	Ratio	Mechanical (1.0 SF)			Efficiency (%)	O.H.L. (lbs.)		Min	Max
		Input HP	Output Torque (lbs. in.)	Output Speed					
30	7.5:1	0.70	160	233	85	143	29	13.8	28.8
	10:1	0.54	160	175	83	157	31	13.8	28.8
	15:1	0.38	160	117	78	180	36	13.8	28.8
	20:1	0.28	151	88	74	198	40	13.2	28.2
	25:1	0.30	185	70	69	213	43	13.2	27.0
	30:1	0.25	177	58	66	226	45	13.8	28.8
	40:1	0.19	160	44	60	249	50	13.2	28.2
	50:1	0.15	151	35	56	268	54	13.2	27.0
	60:1	0.12	134	29	52	285	57	12.6	25.8
40	7.5:1	1.50	353	233	87	274	55	11.4	24.0
	10:1	1.21	370	175	85	302	60	11.4	24.0
	15:1	0.83	370	117	83	346	69	11.4	24.0
	20:1	0.63	361	88	79	381	76	11.4	24.0
	25:1	0.48	328	70	76	410	82	10.8	21.0
	30:1	0.53	403	58	71	436	87	11.4	24.0
	40:1	0.40	378	44	66	479	96	11.4	24.0
	50:1	0.31	353	35	63	517	103	10.8	21.0
	60:1	0.25	319	29	59	549	110	11.4	21.6
	80:1	0.18	277	22	53	604	121	11.4	21.6
100:1	0.14	244	18	48	651	130	11.4	21.6	
50	7.5:1	2.72	647	233	88	377	75	8.4	19.2
	10:1	2.12	664	175	87	415	83	8.4	19.2
	15:1	1.52	681	117	83	475	95	8.4	19.2
	20:1	1.14	656	88	80	522	104	6.6	17.4
	25:1	0.86	597	70	77	563	113	7.2	17.4
	30:1	0.94	740	58	73	598	120	8.4	19.2
	40:1	0.70	689	44	68	658	132	6.6	17.4
	50:1	0.56	647	35	64	709	142	7.2	17.4
	60:1	0.47	605	29	60	753	151	6.6	16.2
	80:1	0.35	546	22	54	829	166	6.6	16.2
100:1	0.26	462	18	50	893	179	6.6	16.2	
63	7.5:1	4.46	1076	233	89	492	98	7.8	17.4
	10:1	3.52	1108	175	87	542	108	7.8	17.4
	15:1	2.70	1236	117	85	620	124	7.8	17.4
	20:1	2.06	1225	88	83	683	137	6.6	16.2
	25:1	1.56	1124	70	80	736	147	6.6	13.8
	30:1	1.64	1345	58	76	782	156	7.8	17.4
	40:1	1.21	1261	44	72	860	172	6.6	16.2
	50:1	0.99	1208	35	68	927	185	6.6	13.8
	60:1	0.82	1135	29	64	985	197	6.0	13.8
	80:1	0.60	1027	22	59	1084	217	6.0	13.8
100:1	0.51	992	18	54	1168	234	6.0	13.8	
75	7.5:1	6.44	1555	233	89	581	116	7.8	16.2
	10:1	5.20	1656	175	88	640	128	7.8	16.2
	15:1	4.07	1900	117	86	732	146	7.8	16.2
	20:1	3.24	1953	88	84	806	161	6.6	14.4
	25:1	2.43	1784	70	82	868	174	6.6	13.2
	30:1	2.41	2028	58	78	923	185	7.8	16.2
	40:1	1.90	2029	44	74	1015	203	6.6	14.4
	50:1	1.47	1881	35	71	1094	219	6.6	13.2
	60:1	1.22	1778	29	67	1162	232	6.0	12.6
	80:1	0.91	1632	22	62	1279	256	6.0	12.6
100:1	0.74	1517	18	57	1378	276	6.0	12.6	
90	7.5:1	10.98	2682	233	90	643	129	7.2	14.4
	10:1	8.92	2867	175	89	708	142	7.2	14.4
	15:1	7.05	3330	117	87	810	162	7.2	14.4
	20:1	5.33	3288	88	86	892	178	6.6	12.0
	25:1	4.18	3145	70	84	961	192	6.0	11.4
	30:1	4.21	3632	58	80	1021	204	7.2	14.4
	40:1	3.01	3330	44	77	1123	225	6.6	12.0
	50:1	2.36	3145	35	74	1210	242	6.0	11.4
	60:1	1.93	2960	29	71	1286	257	5.4	10.8
	80:1	1.27	2397	22	65	1416	283	5.4	10.8
100:1	1.03	2271	18	61	1525	305	5.4	10.8	

2

CALM SERIES - ALUMINUM WORM GEAR REDUCERS

**CALM Series - Aluminum Worm Gear Reducers - NEMA:
Dimensions**

2
CALM SERIES - ALUMINUM
WORM GEAR REDUCERS



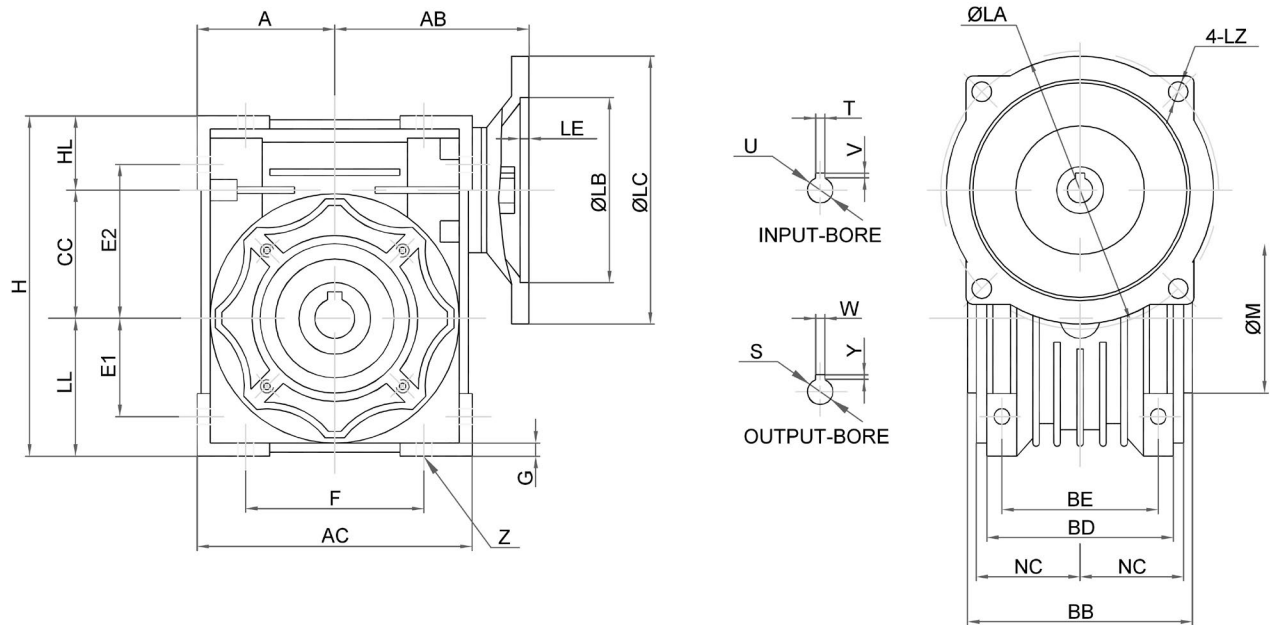
All listed dimensions in millimeters

Box Size	NEMA Frame	A	AB	AC	BB	BD	BE	CC	E1	E2	F	G	H	HL	LL	M
30	56C	40	70	80	63	56	44	30	27	44	54	5.5	97	27	40	55
40	56C	50	86	101	78	71	60	40	35	55	70	6.6	121	31.5	50	60
50	56C	60	94	121	92	85	70	50	40	64	80	7	144	34	60	70
63	56C	72	105	146	112	103	85	63	50	80	100	8	174	39	72	80
	145TC	72	105	146	112	103	85	63	50	80	100	8	174	39	72	80
75	56C	86	126	174	120	112	90	75	60	93	120	10	205	45	86	95
	145TC	86	126	174	120	112	90	75	60	93	120	10	205	45	86	95
	182/4TC	86	126	174	120	112	90	75	60	93	120	10	205	45	86	95
90	56C	103	143	208	140	130	100	90	70	102	140	11	238	45	103	110
	145TC	103	143	208	140	130	100	90	70	102	140	11	238	45	103	110
	182/4TC	103	143	208	140	130	100	90	70	102	140	11	238	45	103	110

Box Size	NEMA Frame	NC	Z	INPUT BORE (inches)		OUTPUT BORE (inches)		FLANGE (inches)				
				U	T x V	S	W x Y	LA	LB	LC	LE	LZ
30	56C	29	6.5	0.625	3/16 x 3/32	0.625	3/16 x 3/32	5.875	4.5	5.787	0.177	0.413
40	56C	36.5	6.5	0.625	3/16 x 3/32	0.75	3/16 x 3/32	5.875	4.5	5.787	0.157	0.413
50	56C	43.5	8.4	0.625	3/16 x 3/32	1	1/4 x 7/64	5.875	4.5	5.787	0.157	0.413
63	56C	53	8.5	0.625	3/16 x 3/32	1.125	1/4 x 1/8	5.875	4.5	5.787	0.177	0.413
	145TC	53	8.5	0.875	3/16 x 3/32	1.125	1/4 x 1/8	5.875	4.5	5.787	0.177	0.413
75	56C	57	11	0.625	3/16 x 3/32	1.25	1/4 x 1/8	5.875	4.5	5.787	0.157	0.413
	145TC	57	11	0.875	3/16 x 3/32	1.25	1/4 x 1/8	5.875	4.5	5.787	0.157	0.413
	182/4TC	57	11	1.125	1/4 x 1/8	1.25	1/4 x 1/8	7.25	8.5	9	0.217	0.413
90	56C	67	13	0.625	3/16 x 3/32	1.375	5/16 x 3/64	5.875	4.5	5.787	0.157	0.413
	145TC	67	13	0.875	3/16 x 3/32	1.375	5/16 x 3/64	5.875	4.5	5.787	0.157	0.413
	182/4TC	67	13	1.125	1/4 x 1/8	1.375	5/16 x 3/64	7.25	8.5	9	0.217	0.413

Dimensions shown in this catalog are for general use only.
For an exact drawing on a specific rating, please contact our sales office.

**CALM Series - Aluminum Worm Gear Reducers - IEC:
Dimensions**



2
CALM SERIES - ALUMINUM
WORM GEAR REDUCERS

All listed dimensions in millimeters

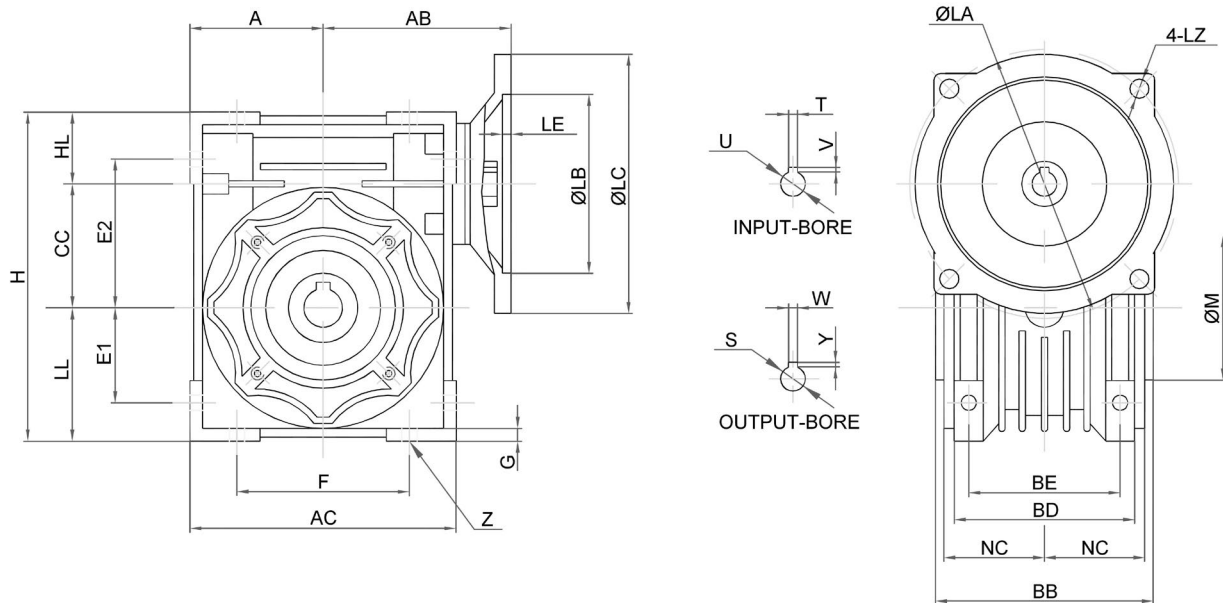
Box Size	IEC Frame	A	AB	AC	BB	BD	BE	CC	E1	E2	F	G	H	HL	LL	M
30	63B14	40	55	81	63	56	44	30	27	44	54	5.5	97	27	40	55
40	63B14	50	86	101	78	71	6	40	35	55	70	6.6	121	31.5	50	60
	71B14	50	86	101	78	71	60	40	35	55	70	6.6	121	31.5	50	60
50	71B14	60	94	121	92	85	70	50	40	64	80	7	144	34	60	70
	80B14	60	94	121	92	85	70	50	40	64	80	7	144	34	60	70
63	80B14	72	105	146	112	103	85	63	50	80	100	8	174	39	72	80
	90B14	72	105	146	112	103	85	63	50	80	100	8	174	39	72	80
75	90B14	86	126	174	120	112	90	75	60	93	120	10	205	45	86	95
	100B14	86	126	174	120	112	90	75	60	93	120	10	205	45	86	95
	112B14	86	126	174	120	112	90	75	60	93	120	10	205	45	86	95
90	90B14	103	143	208	140	130	100	90	70	102	140	11	238	45	103	110
	100B14	103	143	208	140	130	100	90	70	102	140	11	238	45	103	110
	112B14	103	143	208	140	130	100	90	70	102	140	11	238	45	103	110

Box Size	IEC Frame	NC	Z	INPUT BORE (mm)		OUTPUT BORE (mm)		FLANGE (mm)				
				U	T x V	S	W x Y	LA	LB	LC	LE	LZ
30	63B14	29	6.5	11	4 x 1.8	14	5 x 2.3	75	60	90	3	5.5
40	63B14	36.5	6.5	11	4 x 1.8	18	6 x 2.8	75	60	90	4	6
	71B14	36.5	6.5	14	4 x 2.3	18	6 x 2.8	85	70	105	3.5	6.6
50	71B14	43.5	8.4	14	5 x 2.3	25	8 x 3.3	85	70	105	4	6.6
	80B14	43.5	8.4	19	6 x 2.8	25	8 x 3.3	100	80	120	4	6.6
63	80B14	53	8.5	19	6 x 2.8	25	8 x 3.3	100	80	120	3.5	6.6
	90B14	53	8.5	24	8 x 3.3	25	8 x 3.3	115	95	140	3.5	9
75	90B14	57	11	24	8 x 3.3	28	8 x 3.3	115	95	140	3.5	9
	100B14	57	11	28	8 x 3.3	28	8 x 3.3	130	110	160	4	9
	112B14	57	11	28	8 x 3.3	28	8 x 3.3	130	110	160	4	9
90	90B14	67	13	24	8 x 3.3	35	8 x 3.3	115	95	140	3.5	9
	100B14	67	13	28	8 x 3.3	35	8 x 3.3	130	110	160	4	9
	112B14	67	13	28	8 x 3.3	35	8 x 3.3	130	110	160	4	9

Dimensions shown in this catalog are for general use only. For an exact drawing on a specific rating, please contact our sales office.

**CALM Series - Aluminum Worm Gear Reducers - NEMA:
Competitor Dimensional Comparison - Motovario**

2
CALM SERIES - ALUMINUM
WORM GEAR REDUCERS



All listed dimensions in millimeters

Box Size	NEMA Frame	A	AB	AC	BB	BD	BE	CC	E1	E2	F	G	H	HL	LL	M
30	56C	40	67	80	63	56	44	30	27	44	54	5.5	97	27	40	55
40	56C	50	80	100	78	71	60	40	35	55	70	6.5	121.5	31.5	50	60
50	56C	60	90	120	92	85	70	50	40	64	80	7	144	34	60	70
63	56C	72	122	144	112	103	85	63	50	80	100	8	179	44	72	80
	145TC	72	122	144	112	103	85	63	50	80	100	8	179	44	72	80
75	56C	89	140	178	120	112	90	75	60	93	120	10	209	48	86	95
	145TC	89	140	178	120	112	90	75	60	93	120	10	209	48	86	95
	182/4TC	89	150	178	120	112	90	75	60	93	120	10	209	48	86	95
90	56C	103	158	206	140	130	100	90	70	102	140	11	247	54	103	110
	145TC	103	158	206	140	130	100	90	70	102	140	11	247	54	103	110
	182/4TC	103	168	206	140	130	100	90	70	102	140	11	247	54	103	110

Box Size	NEMA Frame	NC	Z	INPUT BORE (inches)		OUTPUT BORE (inches)		FLANGE (inches)				
				U	T x V	S	W x Y	LA	LB	LC	LE	LZ
30	56C	29	6.5	0.625	3/16 x 3/32	0.625	3/16 x 3/32	5.875	3	5.625	NL	0.413
40	56C	36.5	6.5	0.625	3/16 x 3/32	0.75	3/16 x 3/32	5.875	4.5	6.5	NL	0.413
50	56C	43.5	8.4	0.625	3/16 x 3/32	1	1/4 x 7/64	5.875	4.5	6.5	NL	0.413
63	56C	53	8.5	0.625	3/16 x 3/32	1.125	1/4 x 1/8	5.875	4.5	6.5	NL	0.413
	145TC	53	8.5	0.875	3/16 x 3/32	1.125	1/4 x 1/8	5.875	4.5	6.5	NL	0.413
75	56C	57	11	0.625	3/16 x 3/32	1.25	1/4 x 1/8	5.875	4.5	6.5	NL	0.413
	145TC	57	11	0.875	3/16 x 3/32	1.25	1/4 x 1/8	5.875	4.5	6.5	NL	0.413
	182/4TC	57	11	1.125	1/4 x 1/8	1.25	1/4 x 1/8	7.25	8.5	9	NL	0.413
90	56C	67	13	0.625	3/16 x 3/32	1.375	5/16 x 9/64	5.875	4.5	6.5	NL	0.413
	145TC	67	13	0.875	3/16 x 3/32	1.375	5/16 x 9/64	5.875	4.5	6.5	NL	0.413
	182/4TC	67	13	1.125	1/4 x 1/8	1.375	5/16 x 9/64	7.25	8.5	9	NL	0.413

Motovario® dimensional data was derived from their Catalog_VSF_Nema_WEB_3012012111322.
Blue shaded cells indicate a dimensional difference. NL denotes ratings not listed.
All dimensions are in millimeters unless denoted in inches.

**CALM Series - Aluminum Worm Gear Reducers:
Accessories and Parts**

2
CALM SERIES - ALUMINUM
WORM GEAR REDUCERS



Output Flanges

Box Size	Model Number	List Price
30	CALM30-OPF	\$23.92
40	CALM40-OPF	\$33.50
50	CALM50-OPF	\$39.38
63	CALM63-OPF	\$46.06
75	CALM75-OPF	\$60.14
90	CALM90-OPF	\$75.30

Output Flanges are FA style.
FB and FC style output flanges are available for order as non-stock items.



Output Covers

Box Size	Model Number	List Price
30	CALM30-OPC	\$9.24
40	CALM40-OPC	\$9.24
50	CALM50-OPC	\$15.39
63	CALM63-OPC	\$15.39
75	CALM75-OPC	\$15.39
90	CALM90-OPC	\$15.39



Drain Plugs

Box Size	Model Number	List Price
30	PJK10W	\$4.62
40	PJK10W	\$4.62
50	PJK10W	\$4.62
63	PJK16W	\$4.62
75	PJK16W	\$4.62
90	PJK16W	\$4.62



Torque Arms

Box Size	Model Number	List Price
30	CALM30-TA	\$33.09
40	CALM40-TA	\$35.26
50	CALM50-TA	\$44.85
63	CALM63-TA	\$55.08
75	CALM75-TA	\$67.76
90	CALM90-TA	\$84.64

Single Output Shafts



Box Size	Shaft Dia. (in.)	Shaft Length (in.)	Model Number	List Price
30	0.625	1.57	CALM30-S	\$20.77
40	0.75	1.97	CALM40-S	\$24.05
50	1	1.97	CALM50-S	\$33.55
63	1.125	2.36	CALM63-S	\$38.25
75	1.25	2.76	CALM75-S	\$49.18
90	1.375	3.15	CALM90-S	\$63.48

Double Output Shafts



Box Size	Shaft Dia. (in.)	Shaft Length (in.)	Model Number	List Price
30	0.625	1.57	CALM30-DS	\$20.77
40	0.75	1.97	CALM40-DS	\$24.05
50	1	1.97	CALM50-DS	\$33.55
63	1.125	2.36	CALM63-DS	\$38.25
75	1.25	2.76	CALM75-DS	\$49.18
90	1.375	3.15	CALM90-DS	\$63.48

Box Size	Shaft Dia. (mm)	Shaft Length (mm)	Model Number	List Price
30	14	30	CALM30-S-IEC	\$20.77
40	18	40	CALM40-S-IEC	\$24.05
50	25	50	CALM50-S-IEC	\$33.55
63	25	50	CALM63-S-IEC	\$38.25
75	28	60	CALM75-S-IEC	\$49.18
90	35	80	CALM90-S-IEC	\$63.48

Box Size	Shaft Dia. (mm)	Shaft Length (mm)	Model Number	List Price
30	14	30	CALM30-DS-IEC	\$20.77
40	18	40	CALM40-DS-IEC	\$24.05
50	25	50	CALM50-DS-IEC	\$33.55
63	25	50	CALM63-DS-IEC	\$38.25
75	28	60	CALM75-DS-IEC	\$49.18
90	35	80	CALM90-DS-IEC	\$63.48

WINL Series - Inline Gear Reducers: Product Overview

Product Specifications

- 2:1 - 180:1 ratios (other ratios available as custom orders)
- Box sizes 37 - 147
- Horsepower range from 1/4 HP to 100 HP
- Built for high efficiency, high strength and low noise
- All cast iron housings for increased strength and reliability
- Gears are precision machined for better rotation and quieter operation
- Gearbox flanges are designed to accept NEMA C-face electric motors
- No coupling necessary
- Drop-in for most major European-produced inline reducer brands
- Units filled with HD320 mineral oil for an "M1" mounting position
- Adjust oil level for alternative mounting positions
- 2 year warranty



Box Size	Nominal Ratio	Actual Ratio	Output RPM @ 1800 RPM Input	Input HP	S. C.	Output Torque (lbs. in.)	O.H.L. (lbs.)	Motor Frame	Stages	Approx. Weight (lbs.)	Model Number	List Price	
37	5	4.88	359	1.00	III	165	535	56C	2	31	WINL37-5/1-56C	\$664.85	
	5	4.88	359	2.00	III	330	510	145TC	2	31	WINL37-5/1-145TC	\$664.85	
	10	10.02	175	1.00	III	335	665	56C	2	31	WINL37-10/1-56C	\$664.85	
	10	10.02	175	2.00	III	675	620	145TC	2	31	WINL37-10/1-145TC	\$664.85	
	15	15.75	111	1.00	III	530	755	56C	2	31	WINL37-15/1-56C	\$664.85	
	15	14.08	124	2.00	II	920	665	145TC	3	31	WINL37-15/1-145TC-3S	\$664.85	
	20	19.95	88	2.00	I	670	805	56C	2	31	WINL37-20/1-56C	\$664.85	
	20	19.95	88	1.00	III	1340	715	145TC	2	31	WINL37-20/1-145TC	\$664.85	
	30	31.02	56	1.00	II	1010	890	56C	3	31	WINL37-30/1-56C	\$664.85	
	40	40.08	44	1.00	I	1310	935	56C	3	31	WINL37-40/1-56C	\$664.85	
	50	52.24	34	1.00	I	1710	985	56C	3	31	WINL37-50/1-56C	\$664.85	
	60	60.84	29	1.00	I	1990	1000	56C	3	31	WINL37-60/1-56C	\$664.85	
47	5	4.85	361	2.00	III	325	630	145TC	2	50	WINL47-5/1-145TC	\$764.57	
	5	4.85	361	3.00	III	490	610	182/4TC	2	50	WINL47-5/1-182/4TC	\$764.57	
	10	11.27	155	3.00	III	1140	770	182/4TC	2	50	WINL47-10/1-182/4TC	\$764.57	
	15	15.18	115	3.00	II	1530	820	182/4TC	2	50	WINL47-15/1-182/4TC	\$764.57	
	20	18.37	95	2.00	III	1240	915	145TC	2	50	WINL47-20/1-145TC	\$764.57	
	20	18.37	95	3.00	I	1860	850	182/4TC	2	50	WINL47-20/1-182/4TC	\$764.57	
	30	31.83	55	2.00	I	2080	1000	145TC	3	50	WINL47-30/1-145TC	\$764.57	
	30	31.83	55	3.00	I*	3120	870	182/4TC	3	50	WINL47-30/1-182/4TC	\$764.57	
	40	41.51	42	1.00	II	1360	1220	56C	3	50	WINL47-40/1-56C	\$764.57	
	50	52.84	33	1.00	II	1730	1220	56C	3	50	WINL47-50/1-56C	\$764.57	
	60	63.37	28	1.00	I	2070	1220	56C	3	50	WINL47-60/1-56C	\$764.57	
	RX57	3	3.19	549	2.00	III	220	420	143/5TC	1	44	WINL57-3/1-143/5TC	\$664.85
3		3.19	549	3.00	I	330	400	182TC	1	44	WINL57-3/1-182TC	\$664.85	
57	5	4.93	355	5.00	III	830	655	182/4TC	2	54	WINL57-5/1-182/4TC	\$1,049.00	
	10	11.53	152	3.00	III	1170	895	182TC	2	54	WINL57-10/1-182TC	\$1,049.00	
	15	15.53	113	2.00	III	1050	1030	143/5TC	2	48	WINL57-15/1-143/5TC	\$1,049.00	
	20	22.81	77	3.00	I	2240	925	182TC	3	57	WINL57-20/1-182TC	\$1,049.00	
	40	42.48	41	2.00	I	2780	1220	143/5TC	3	48	WINL57-40/1-143/5TC	\$1,049.00	
	50	54.07	32	2.00	I	3530	1240	143/5TC	3	48	WINL57-50/1-143/5TC	\$1,049.00	
	60	60.21	29	1.00	III	1970	1560	56C	3	46	WINL57-60/1-56C	\$1,049.00	
	80	79.65	22	1.00	II	2600	1600	56C	3	46	WINL57-80/1-56C	\$1,049.00	
	100	101.77	17	1.00	I	3320	1600	56C	3	46	WINL57-100/1-56C	\$1,049.00	
	130	129.16	14	1.00	I*	4220	1600	56C	3	46	WINL57-130/1-56C	\$1,049.00	
	RX67	2	1.86	942	5.00	II	320	385	182/4TC	1	49	WINL67-2/1-182/4TC	\$720.25
		2.5	2.35	745	5.00	III	410	400	182/4TC	1	49	WINL67-2.5/1-182/4TC	\$720.25
3.5		3.52	497	3.00	I	365	490	182TC	1	49	WINL67-3.5/1-182TC	\$720.25	
67	5	5.23	334	2.00	III	350	955	145TC	2	73	WINL67-5/1-145TC	\$1,085.91	
	5	5.23	334	5.00	III	880	900	182/4TC	2	73	WINL67-5/1-182/4TC	\$1,085.91	
	10	9.90	177	5.00	III	1670	1080	182/4TC	2	73	WINL67-10/1-182/4TC	\$1,085.91	
	15	15.41	114	2.00	III	1040	1330	145TC	2	73	WINL67-15/1-145TC	\$1,085.91	
	15	15.41	114	3.00	III	1560	1280	182TC	2	73	WINL67-15/1-182TC	\$1,085.91	
	20	21.33	82	5.00	I	2160	1390	182TC	3	73	WINL67-20/1-182TC	\$1,085.91	
	30	28.77	61	2.00	III	1880	1560	145TC	3	73	WINL67-30/1-145TC	\$1,085.91	
	40	41.22	42	2.00	II	2690	1650	145TC	3	73	WINL67-40/1-145TC	\$1,085.91	
	50	52.21	34	2.00	II	3410	1650	145TC	3	73	WINL67-50/1-145TC	\$1,085.91	
	60	63.07	28	1.00	III	2060	1650	56C	3	73	WINL67-60/1-56C	\$1,085.91	
	80	78.59	22	1.00	III	2570	1650	56C	3	73	WINL67-80/1-56C	\$1,085.91	
	100	98.69	18	1.00	II	3220	1650	56C	3	73	WINL67-100/1-56C	\$1,085.91	
120	125.28	14	1.00	I	4090	1650	56C	3	73	WINL67-120/1-56C	\$1,085.91		

Service Class I (S.F.=1.0) Service Class II (S.F.=1.5) Service Class III (S.F.=2.0) * Service Class < 1

Continued On Next Page

Section 3: Helical and Helical-Bevel Gear Reducers
WINL Series - Inline Gear Reducers



WINL Series - Inline Gear Reducers:
Product Overview (Continued)

Box Size	Nominal Ratio	Actual Ratio	Output RPM @ 1800 RPM Input	Input HP	S. C.	Output Torque (lbs. in.)	O.H.L. (lbs.)	Motor Frame	Stages	Approx. Weight (lbs.)	Model Number	List Price
RX77	2.5	2.38	737	5.00	III	410	720	182/4TC	1	71	WINL77-2.5/1-182/4TC	\$941.87
	2.5	2.38	737	7.50	II	620	550	213TC	1	71	WINL77-2.5/1-213TC	\$941.87
	4	4.19	418	3.00	III	435	910	182TC	1	71	WINL77-4/1-182TC	\$941.87
	5	4.78	366	5.00	III	805	1070	182/4TC	2	83	WINL77-5/1-182/4TC	\$1,274.28
77	5	4.78	366	7.50	III	1210	1030	213/5TC	2	83	WINL77-5/1-213/5TC	\$1,274.28
	10	10.91	160	5.00	III	1840	1360	182/4TC	2	83	WINL77-10/1-182/4TC	\$1,274.28
	10	10.91	160	7.50	III	2760	1290	213TC	2	83	WINL77-10/1-213TC	\$1,274.28
	15	14.83	118	5.00	III	2500	1470	182/4TC	2	83	WINL77-15/1-182/4TC	\$1,274.28
	20	23.31	75	3.00	III	2360	1750	182/4TC	2	83	WINL77-20/1-182/4TC	\$1,274.28
	25	25.27	69	5.00	II	4130	1620	182/4TC	3	83	WINL77-25/1-182/4TC	\$1,274.28
	30	31.97	55	5.00	I	5220	1690	182/4TC	3	83	WINL77-30/1-182/4TC	\$1,274.28
	40	39.31	45	3.00	II	3850	1960	182/4TC	3	83	WINL77-40/1-182/4TC	\$1,274.28
	50	53.24	33	2.00	II	3480	2230	145TC	3	83	WINL77-50/1-145TC	\$1,274.28
	60	57.73	30	2.00	II	3770	2230	145TC	3	83	WINL77-60/1-145TC	\$1,274.28
	80	84.62	21	2.00	I	5530	2230	145TC	3	83	WINL77-80/1-145TC	\$1,274.28
	100	109.54	16	2.00	I*	7180	2230	145TC	3	83	WINL77-100/1-145TC	\$1,274.28
	120	124.34	14	1.00	II	4060	2230	56C	3	83	WINL77-120/1-56C	\$1,274.28
	RX87	2	2.04	859	10.00	III	705	800	213/5TC	1	124	WINL87-2/1-213/5TC
2		2.04	859	20.00	I	1410	450	254/6TC	1	159	WINL87-2/1-254/6TC	\$1,551.30
2.5		2.52	694	10.00	III	875	830	213/5TC	1	124	WINL87-2.5/1-213/5TC	\$1,551.30
2.5		2.52	694	20.00	I	1750	350	254/6TC	1	159	WINL87-2.5/1-254/6TC	\$1,551.30
3		3.19	549	10.00	I	1110	840	213/5TC	1	124	WINL87-3/1-213/5TC	\$1,551.30
3.5		3.54	495	10.00	I	1230	840	213/5TC	1	124	WINL87-3.5/1-213/5TC	\$1,551.30
4		3.77	464	10.00	I	1310	870	213/5TC	1	124	WINL87-4/1-213/5TC	\$1,551.30
4.5		4.43	395	5.00	I	770	1050	182/4TC	1	106	WINL87-4.5/1-182/4TC	\$1,551.30
5		4.73	370	10.00	III	1590	2020	213/5TC	2	160	WINL87-5/1-213/5TC	\$2,022.25
87	5	4.73	370	15.00	II	2390	1960	254/6TC	2	160	WINL87-5/1-254/6TC	\$2,022.25
	10	10.66	164	5.00	III	1800	2700	182/4TC	2	160	WINL87-10/1-182/4TC	\$2,022.25
	10	10.66	164	10.00	II	3590	2580	213/5TC	2	160	WINL87-10/1-213/5TC	\$2,022.25
	10	10.66	164	15.00	I	5390	2460	254TC	2	160	WINL87-10/1-254TC	\$2,022.25
	15	15.29	114	5.00	III	2570	3000	182/4TC	2	160	WINL87-15/1-182/4TC	\$2,022.25
	15	15.29	114	7.50	III	3860	2920	213/5TC	2	160	WINL87-15/1-213/5TC	\$2,022.25
	20	20.06	87	5.00	III	3280	3230	182/4TC	3	160	WINL87-20/1-182/4TC	\$2,022.25
	20	20.06	87	10.00	I	6550	2970	213/5TC	3	160	WINL87-20/1-213/5TC	\$2,022.25
	30	31.73	55	5.00	II	5180	3650	182/4TC	3	160	WINL87-30/1-182/4TC	\$2,022.25
	40	38.20	46	5.00	II	6240	3800	182/4TC	3	160	WINL87-40/1-182/4TC	\$2,022.25
	50	49.16	36	2.00	III	3210	3800	145TC	3	160	WINL87-50/1-145TC	\$2,022.25
	50	49.16	36	5.00	I	8030	3800	182/4TC	3	160	WINL87-50/1-182/4TC	\$2,022.25
	60	61.54	28	2.00	III	4020	3800	145TC	3	160	WINL87-60/1-145TC	\$2,022.25
	60	61.54	28	5.00	I	10000	3800	182/4TC	3	160	WINL87-60/1-182/4TC	\$2,022.25
	80	87.27	20	2.00	III	5700	3800	145TC	3	160	WINL87-80/1-145TC	\$2,022.25
	80	87.27	20	3.00	II	8550	3800	182/4TC	3	160	WINL87-80/1-182/4TC	\$2,022.25
	110	112.52	16	2.00	II	7350	3800	145TC	3	160	WINL87-110/1-145TC	\$2,022.25
	120	122.17	14	2.00	II	7980	3800	145TC	3	160	WINL87-120/1-145TC	\$2,022.25
180	179.70	10	2.00	I	11700	3800	145TC	3	160	WINL87-180/1-145TC	\$2,022.25	
RX97	2	2.12	825	30.00	II	2210	1020	284/6TC	1	214	WINL97-2/1-284/6TC	\$2,714.79
	2	1.89	926	40.00	I	2620	700	324TC	1	214	WINL97-2/1-324TC	\$2,714.79
	2.5	2.68	654	30.00	I	2790	965	284/6TC	1	214	WINL97-2.5/1-284/6TC	\$2,714.79
	3	3.07	570	20.00	II	2130	1300	254/6TC	1	214	WINL97-3/1-254/6TC	\$2,714.79
	3.5	3.48	503	20.00	II	2420	1250	254/6TC	1	214	WINL97-3.5/1-254/6TC	\$2,714.79
	3.5	3.48	503	30.00	I	3620	870	284/6TC	1	214	WINL97-3.5/1-284/6TC	\$2,714.79
	4	3.81	459	30.00	I	3970	1040	284/6TC	1	214	WINL97-4/1-284/6TC	\$2,714.79
	4.5	4.42	396	10.00	II	1540	1480	213/5TC	1	214	WINL97-4.5/1-213/5TC	\$2,714.79
	5	5.42	323	20.00	III	3650	2790	254/6TC	2	244	WINL97-5/1-254/6TC	\$3,351.92
97	5	5.42	323	30.00	III	5480	2660	284/6TC	2	244	WINL97-5/1-284/6TC	\$3,351.92
	10	10.00	175	20.00	III	6730	3340	254/6TC	2	244	WINL97-10/1-254/6TC	\$3,351.92
	10	10.00	175	30.00	II	10100	3150	284/6TC	2	244	WINL97-10/1-284/6TC	\$3,351.92
	15	13.56	129	10.00	III	4560	3870	213/5TC	2	244	WINL97-15/1-213/5TC	\$3,351.92
	15	13.56	129	20.00	III	9130	3600	254/6TC	2	244	WINL97-15/1-254/6TC	\$3,351.92
	15	13.56	129	30.00	II	13700	3340	284/6TC	2	244	WINL97-15/1-284/6TC	\$3,351.92
	20	21.23	82	20.00	II	14300	3970	254/6TC	2	244	WINL97-20/1-254/6TC	\$3,351.92
	30	28.98	60	10.00	III	9470	4450	213/5TC	3	244	WINL97-30/1-213/5TC	\$3,351.92
	30	28.98	60	15.00	II	14200	4320	254/6TC	3	244	WINL97-30/1-254/6TC	\$3,351.92
	40	37.84	46	10.00	II	12400	4450	213/5TC	3	244	WINL97-40/1-213/5TC	\$3,351.92
	50	51.10	34	10.00	II	16700	4450	213/5TC	3	244	WINL97-50/1-213/5TC	\$3,351.92
	60	59.52	29	10.00	I	19400	4450	213/5TC	3	244	WINL97-60/1-213/5TC	\$3,351.92

Service Class I (S.F.=1.0) Service Class II (S.F.=1.5) Service Class III (S.F.=2.0) * Service Class < 1

Continued On Next Page

Section 3: Helical and Helical-Bevel Gear Reducers
WINL Series - Inline Gear Reducers



WINL Series - Inline Gear Reducers:
Product Overview (Continued)

3
WINL SERIES
INLINE GEAR REDUCERS

Box Size	Nominal Ratio	Actual Ratio	Output RPM @ 1800 RPM Input	Input HP	S. C.	Output Torque (lbs. in.)	O.H.L. (lbs.)	Motor Frame	Stages	Approx. Weight (lbs.)	Model Number	List Price	
97	80	82.59	21	5.00	II	13500	4450	182/4TC	3	244	WINL97-80/1-182/4TC	\$3,351.92	
	80	82.59	21	7.50	I	20200	4450	213/5TC	3	244	WINL97-80/1-213/5TC	\$3,351.92	
	100	97.76	18	5.00	II	16000	4450	182/4TC	3	244	WINL97-100/1-182/4TC	\$3,351.92	
	120	127.61	14	3.00	III	12500	4450	182/4TC	3	244	WINL97-120/1-182/4TC	\$3,351.92	
	180	181.06	10	3.00	III	17740	4450	182TC	3	244	WINL97-180/1-182TC	\$3,351.92	
RX107	2	2.30	761	50.00	I	3990	890	324/6TC	1	286	WINL107-2/1-324/6TC	\$3,435.03	
	3	3.13	560	30.00	II	3250	1380	284/6TC	1	286	WINL107-3/1-284/6TC	\$3,435.03	
	4	4.13	424	20.00	II	2870	1550	254/6TC	1	286	WINL107-4/1-254/6TC	\$3,435.03	
	5	4.50	389	10.00	III	1510	3020	213/5TC	2	411	WINL107-5/1-213/5TC	\$5,180.26	
	5	4.50	389	20.00	III	3030	2940	254/6TC	2	411	WINL107-5/1-254/6TC	\$5,180.26	
	5	4.50	389	30.00	III	4540	2860	284/6TC	2	411	WINL107-5/1-284/6TC	\$5,180.26	
	5	4.50	389	50.00	III	7570	2700	324/6TC	2	411	WINL107-5/1-324/6TC	\$5,180.26	
	10	10.44	168	50.00	I	17600	3330	324/6TC	2	411	WINL107-10/1-324/6TC	\$5,180.26	
	15	14.38	122	10.00	III	4840	4350	213/5TC	3	411	WINL107-15/1-213/5TC	\$5,180.26	
	15	14.38	122	20.00	III	9680	4130	254/6TC	3	411	WINL107-15/1-254/6TC	\$5,180.26	
107	20	21.79	80	30.00	I	21400	4250	284/6TC	3	411	WINL107-20/1-284/6TC	\$5,180.26	
	20	21.79	80	40.00	I	28500	3920	324TC	3	411	WINL107-20/1-324TC	\$5,180.26	
	30	29.23	60	30.00	I	28600	4450	284/6TC	3	411	WINL107-30/1-284/6TC	\$5,180.26	
	40	39.52	44	20.00	I	25800	5270	254/6TC	3	411	WINL107-40/1-254/6TC	\$5,180.26	
	50	53.00	33	10.00	III	17300	6300	213/5TC	3	411	WINL107-50/1-213/5TC	\$5,180.26	
	50	53.00	33	20.00	I	34600	5540	254/6TC	3	411	WINL107-50/1-254/6TC	\$5,180.26	
	60	62.90	28	10.00	II	20500	6540	213/5TC	3	411	WINL107-60/1-213/5TC	\$5,180.26	
	60	62.90	28	15.00	I	30800	6080	254/6TC	3	411	WINL107-60/1-254/6TC	\$5,180.26	
	80	79.95	22	10.00	I	26100	6620	213/5TC	3	411	WINL107-80/1-213/5TC	\$5,180.26	
	120	115.50	15	10.00	I	37700	6620	213/5TC	3	411	WINL107-120/1-213/5TC	\$5,180.26	
	137	5	4.87	360	20.00	III	3280	4020	254/6TC	2	619	WINL137-5/1-254/6TC	\$8,665.15
		5	4.87	360	30.00	III	4920	3950	284/6TC	2	619	WINL137-5/1-284/6TC	\$8,665.15
5		4.87	360	50.00	III	8190	3810	324/6TC	2	619	WINL137-5/1-324/6TC	\$8,665.15	
5		4.87	360	75.00	II	12300	3630	364/5TC	2	619	WINL137-5/1-364/5TC	\$8,665.15	
10		10.12	173	75.00	II	25600	4390	364/5TC	2	619	WINL137-10/1-364/5TC	\$8,665.15	
15		14.60	120	30.00	III	14300	5380	284/6TC	2	619	WINL137-15/1-284/6TC	\$8,665.15	
15		14.60	120	50.00	II	23800	4980	324/6TC	2	619	WINL137-15/1-324/6TC	\$8,665.15	
15		14.60	120	75.00	I	35800	4470	364/5TC	2	619	WINL137-15/1-364/5TC	\$8,665.15	
* Non-Stock		20	20.68	85	75.00	I*	50600	4960	364/5TC	3	619	WINL137-20/1-364/5TC	\$8,665.15
30		32.81	53	50.00	I	53600	5850	324/6TC	3	619	WINL137-30/1-324/6TC	\$8,665.15	
40		43.25	40	30.00	I	42400	7030	284/6TC	3	619	WINL137-40/1-284/6TC	\$8,665.15	
40		43.25	40	40.00	I	56500	6500	324/6TC	3	619	WINL137-40/1-324/6TC	\$8,665.15	
50		50.13	35	20.00	II	32700	7820	254/6TC	3	619	WINL137-50/1-254/6TC	\$8,665.15	
50		50.13	35	30.00	I	49100	7210	284/6TC	3	619	WINL137-50/1-284/6TC	\$8,665.15	
60		59.14	30	20.00	II	38600	8190	254/6TC	3	619	WINL137-60/1-254/6TC	\$8,665.15	
80	79.05	22	20.00	I	51600	8680	254/6TC	3	619	WINL137-80/1-254/6TC	\$8,665.15		
120	117.25	15	15.00	I	57400	9980	254/6TC	3	619	WINL137-120/1-254/6TC	\$8,665.15		
147	4	4.16	421	125.00	III	17500	8130	405TC	2	915	WINL147-4/1-405TC	\$15,457.66	
	5	5.00	350	30.00	III	5050	9020	284/6TC	2	915	WINL147-5/1-284/6TC	\$15,236.04	
	5	5.00	350	50.00	III	8420	8930	324/6TC	2	915	WINL147-5/1-324/6TC	\$15,236.04	
	5	5.00	350	75.00	III	12600	8810	364/5TC	2	915	WINL147-5/1-364/5TC	\$15,236.04	
	5	5.00	350	125.00	II	21000	8570	405TC	2	915	WINL147-5/1-405TC	\$15,236.04	
	10	10.24	171	125.00	II	43100	10400	405TC	2	915	WINL147-10/1-405TC	\$15,236.04	
	15	15.62	112	50.00	III	26300	12700	324/6TC	2	915	WINL147-15/1-324/6TC	\$15,236.04	
	15	15.62	112	75.00	III	39400	12300	364/5TC	2	915	WINL147-15/1-364/5TC	\$15,236.04	
	15	15.62	112	125.00	II	65700	11600	405TC	2	915	WINL147-15/1-405TC	\$15,236.04	
	20	19.99	88	75.00	II	49000	13200	364/5TC	3	915	WINL147-20/1-364/5TC	\$15,236.04	
	* Non-Stock	30	30.23	58	50.00	II	49400	14100	324/6TC	3	915	WINL147-30/1-324/6TC	\$15,236.04
	30	30.23	58	60.00	II	59200	14100	364/5TC	3	915	WINL147-30/1-364/5TC	\$15,236.04	
	40	41.70	42	30.00	III	40900	14100	284/6TC	3	915	WINL147-40/1-284/6TC	\$15,236.04	
	40	41.70	42	50.00	II	68100	14100	324/6TC	3	915	WINL147-40/1-324/6TC	\$15,236.04	
	50	50.49	35	20.00	III	33000	14100	254/6TC	3	915	WINL147-50/1-254/6TC	\$15,236.04	
	50	50.49	35	30.00	III	49500	14100	284/6TC	3	915	WINL147-50/1-284/6TC	\$15,236.04	
	60	60.38	29	20.00	III	39400	14100	254/6TC	3	915	WINL147-60/1-254/6TC	\$15,236.04	
	60	60.38	29	40.00	I	78900	14100	324/6TC	3	915	WINL147-60/1-324/6TC	\$15,236.04	
	80	83.30	21	20.00	III	54400	14100	254/6TC	3	915	WINL147-80/1-254/6TC	\$15,236.04	
	80	83.30	21	30.00	I	81600	14100	284/6TC	3	915	WINL147-80/1-284/6TC	\$15,236.04	
120	117.29	15	20.00	II	76600	14100	254/6TC	3	915	WINL147-120/1-254/6TC	\$15,236.04		

* WINL137 and WINL147 are Non-Stock Items available by special order only.

Service Class I (S.F.=1.0) Service Class II (S.F.=1.5) Service Class III (S.F.=2.0) * Service Class < 1

WINL Series - Inline Gear Reducers: Mechanical Ratings

Box Size	Nominal Ratio	Actual Ratio	Output RPM	Service Factor Values			Stages	Nominal Stock Performance											
				Max Input HP	Max Output Torque (lbs. in.)	O.H.L. (lbs.)		56C			143/145TC			182TC			184TC		
								HP	T	OHL	HP	T	OHL	HP	T	OHL	HP	T	OHL
37	5	4.88	359	5.9	970	420	2	1	165	535	2	330	510						
	10	10.02	175	4.03	1360	530	2	1	335	665	2	675	620						
	15	14.08	124	3.01	1390	595	3				2	920	665						
	15	15.75	111	2.98	1580	615	2	1	530	755									
	20	19.95	88	2.55	1710	665	2	1	670	805	2	1340	715						
	30	31.02	56	1.75	1770	780	3	1	1010	890									
	40	40.08	44	1.35	1770	875	3	1	1310	935									
	50	52.24	34	1.04	1770	975	3	1	1710	985									
60	60.84	29	0.89	1770	995	3	1	1990	1000										
47	5	4.85	361	1690	10.34	465	2				2	325	630	3	490	610			
	10	11.27	155	2530	6.68	625	2							3	1140	770	5	1900	690
	15	15.18	115	2660	5.2	710	2							3	1530	820			
	20	18.37	95	2660	4.3	770	2				2	1240	915	3	1860	850			
	30	31.83	55	2660	2.56	930	3				2	2080	1000	3	3120	870			
	40	41.51	42	2660	1.96	1100	3	1	1360	1220									
	50	52.84	33	2660	1.54	1210	3	1	1730	1220									
	60	63.37	28	2660	1.28	1220	3	1	2070	1220									
RX57	3	3.19	549	4.04	445	315	1	1	110	445	2	220	420	3	330	400			
57	5	4.93	355	10.42	1730	480	2				2	330	750	3	500	720	5	830	655
	10	11.53	152	7.45	2890	615	2	1	390	1020	2	775	960	3	1170	895			
	15	15.53	113	6.11	3190	675	2	1	525	1110	2	1050	1030						
	20	22.81	77	3.91	2910	790	3	1	745	1220	2	1490	1070	3	2240	925			
	40	42.48	41	2.87	3990	1030	3	1	1390	1450	2	2780	1220						
	50	54.07	32	2.26	3990	1160	3	1	1770	1530	2	3530	1240						
	60	60.21	29	2.03	3990	1230	3	1	1970	1560	2	3930	1240						
	80	79.65	22	1.53	3990	1420	3	1	2600	1600									
	100	101.77	17	1.2	3990	1590	3	1	3320	1600									
130	129.16	14	0.94	3990	1600	3	1	4220	1600										
RX67	2	1.86	942	9.58	615	170	1										5	320	385
	2.5	2.35	745	7.56	615	260	1										5	410	400
	3.5	3.52	497	4.11	505	465	1							3	365	490			
67	5	5.23	334	14.36	2530	725	2				2	350	955				5	880	900
	10	9.90	177	11.34	3780	890	2							3	1000	1140	5	1670	1080
	15	15.41	114	8.44	4380	1030	2				2	1040	1330	3	1560	1280			
	20	21.33	82	6.79	4880	1150	2							3	2160	1390			
	30	28.77	61	4.76	4470	1280	3				2	1880	1560						
	40	41.22	42	3.73	5030	1450	3				2	2690	1650						
	50	52.21	34	3.12	5310	1650	3				2	3410	1650						
	60	63.07	28	2.58	5310	1650	3	1	2060	1650									
	80	78.59	22	2.07	5310	1650	3	1	2570	1650									
	100	98.69	18	1.65	5310	1650	3	1	3220	1650									
120	125.28	14	1.3	5310	1650	3	1	4090	1650										
RX77	2.5	2.38	737	13.46	1110	145	1										5	410	720
	4	4.19	418	6.16	895	555	1							3	435	910			
77	5	4.78	366	25.12	4040	785	2							3	480	1100	5	805	1070
	10	10.91	160	17.07	6270	1020	2							3	1100	1410	5	1840	1360
	15	14.83	118	13.3	6640	1160	2										5	2500	1470
	20	23.31	75	8.46	6640	1420	2							3	2360	1750			
	25	25.27	69	8.05	6640	1400	3										5	4130	1620
	30	31.97	55	6.36	6640	1560	3							3	3130	1870	5	5220	1690
	40	39.31	45	5.17	6640	1720	3							3	3850	1960			
	50	53.24	33	3.82	6640	2040	3				2	3480	2230						
	60	57.73	30	3.52	6640	2110	3				2	3770	2230						
	80	84.62	21	2.4	6640	2230	3				2	5530	2230						
	100	109.54	16	1.86	6640	2230	3				2	7180	2230						
	120	124.34	14	1.64	6640	2230	3	1	4060	2230									
RX87	2	2.04	859	26.31	1860	205	1												
	2.5	2.52	694	20.25	1770	340	1												
	3	3.19	549	14.4	1590	585	1												
	3.5	3.54	495	12.83	1580	660	1												
	4	3.77	464	11.5	1510	780	1												
	4.5	4.43	395	6.91	1060	1000	1							3	460	1100	5	770	1050

Continued On Next Page

Section 3: Helical and Helical-Bevel Gear Reducers
WINL Series - Inline Gear Reducers



WINL Series - Inline Gear Reducers:
Mechanical Ratings (Continued)

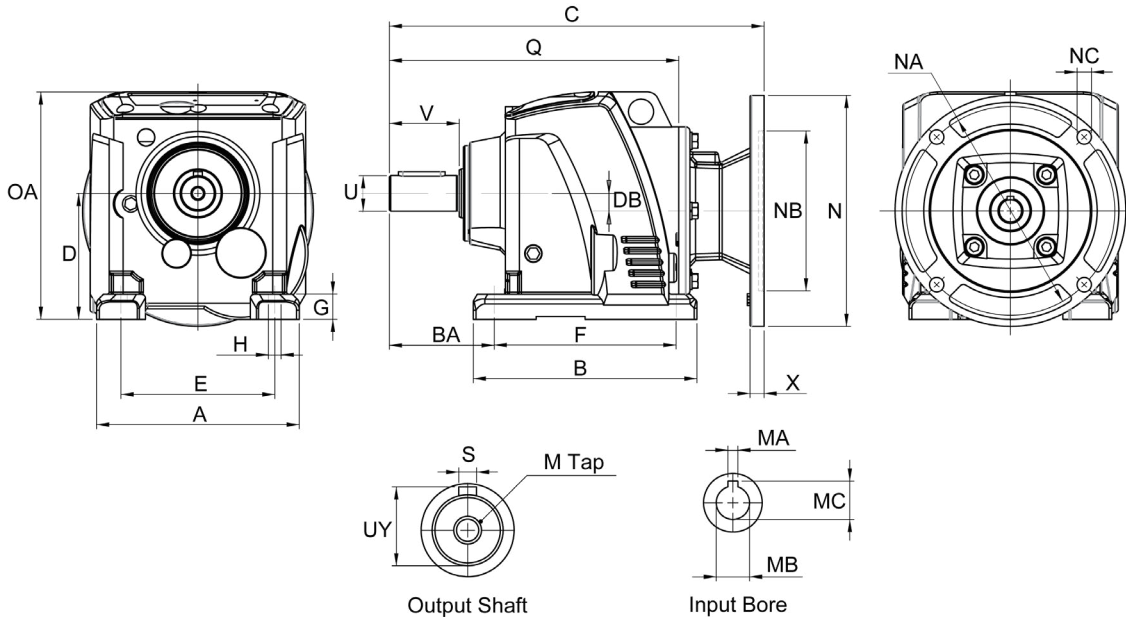
3

WINL SERIES
 INLINE GEAR REDUCERS

Box Size	Nominal Ratio	Actual Ratio	Output RPM	Service Factor Values			Stages	Nominal Stock Performance												
				Max Input HP	Max Output Torque (lbs. in.)	O.H.L. (lbs.)		213TC			215TC			254TC			256TC			
								HP	T	OHL	HP	T	OHL	HP	T	OHL	HP	T	OHL	
37	5	4.88	359	5.9	970	420	2													
	10	10.02	175	4.03	1360	530	2													
	15	14.08	124	3.01	1390	595	3													
	15	15.75	111	2.98	1580	615	2													
	20	19.95	88	2.55	1710	665	2													
	30	31.02	56	1.75	1770	780	3													
	40	40.08	44	1.35	1770	875	3													
	50	52.24	34	1.04	1770	975	3													
60	60.84	29	0.89	1770	995	3														
47	5	4.85	361	1690	10.34	465	2													
	10	11.27	155	2530	6.68	625	2													
	15	15.18	115	2660	5.2	710	2													
	20	18.37	95	2660	4.3	770	2													
	30	31.83	55	2660	2.56	930	3													
	40	41.51	42	2660	1.96	1100	3													
	50	52.84	33	2660	1.54	1210	3													
	60	63.37	28	2660	1.28	1220	3													
RX57	3	3.19	549	4.04	445	315	1													
57	5	4.93	355	10.42	1730	480	2													
	10	11.53	152	7.45	2890	615	2													
	15	15.53	113	6.11	3190	675	2													
	20	22.81	77	3.91	2910	790	3													
	40	42.48	41	2.87	3990	1030	3													
	50	54.07	32	2.26	3990	1160	3													
	60	60.21	29	2.03	3990	1230	3													
	80	79.65	22	1.53	3990	1420	3													
	100	101.77	17	1.2	3990	1590	3													
130	129.16	14	0.94	3990	1600	3														
RX67	2	1.86	942	9.58	615	170	1													
	2.5	2.35	745	7.56	615	260	1													
	3.5	3.52	497	4.11	505	465	1													
67	5	5.23	334	14.36	2530	725	2													
	10	9.90	177	11.34	3780	890	2													
	15	15.41	114	8.44	4380	1030	2													
	20	21.33	82	6.79	4880	1150	2													
	30	28.77	61	4.76	4470	1280	3													
	40	41.22	42	3.73	5030	1450	3													
	50	52.21	34	3.12	5310	1650	3													
	60	63.07	28	2.58	5310	1650	3													
	80	78.59	22	2.07	5310	1650	3													
	100	98.69	18	1.65	5310	1650	3													
120	125.28	14	1.3	5310	1650	3														
RX77	2.5	2.38	737	13.46	1110	145	1	7.5	620	550										
	4	4.19	418	6.16	895	555	1													
77	5	4.78	366	25.12	4040	785	2	7.5	1210	1030										
	10	10.91	160	17.07	6270	1020	2	7.5	2760	1290										
	15	14.83	118	13.3	6640	1160	2													
	20	23.31	75	8.46	6640	1420	2													
	25	25.27	69	8.05	6640	1400	3													
	30	31.97	55	6.36	6640	1560	3													
	40	39.31	45	5.17	6640	1720	3													
	50	53.24	33	3.82	6640	2040	3													
	60	57.73	30	3.52	6640	2110	3													
	80	84.62	21	2.4	6640	2230	3													
100	109.54	16	1.86	6640	2230	3														
120	124.34	14	1.64	6640	2230	3														
RX87	2	2.04	859	26.31	1860	205	1	7.5	530	830	10	705	800	15	1060	640	20	1410	450	
	2.5	2.52	694	20.25	1770	340	1	7.5	655	865	10	875	830	15	1310	595	20	1750	350	
	3	3.19	549	14.4	1590	585	1	7.5	830	920	10	1110	840							
	3.5	3.54	495	12.83	1580	660	1	7.5	920	945	10	1230	840							
	4	3.77	464	11.5	1510	780	1	7.5	980	980	10	1310	870							
	4.5	4.43	395	6.91	1060	1000	1													

Continued On Next Page

WINL Series - Inline Gear Reducers:
Dimensions

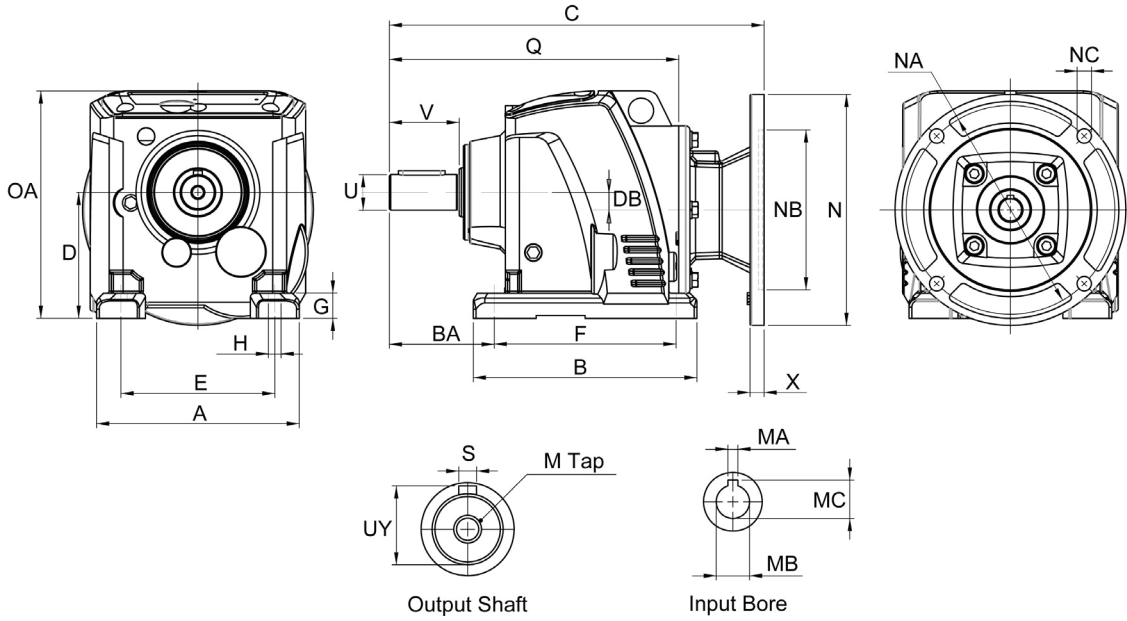


3
WINL SERIES
INLINE GEAR REDUCERS

All listed dimensions in inches																										
Box Size	NEMA Frame	A	B	BA	C	D	DB	E	F	G	H	M (UNC)	MA	MB	MC	N	NA	NB	NC	OA	Q	S	U	UY	V	X
37	56C	5.71	6.3	2.95	10.55	3.54	0.49	4.33	5.12	0.71	0.35	3/8 -16	0.19	0.63	0.72	6.5	5.88	4.5	4 x 0.41	6.4	8.15	0.25	1.0	1.11	1.97	0.39
	145TC	5.71	6.3	2.95	10.94	3.54	0.49	4.33	5.12	0.71	0.35	3/8 -16	0.19	0.88	0.97	6.5	5.88	4.5	4 x 0.41	6.4	8.15	0.25	1.0	1.11	1.97	0.47
47	56C	6.69	7.68	3.54	11.63	4.53	0.55	5.31	6.5	0.94	0.55	1/2 -13	0.19	0.63	0.72	6.5	5.88	4.5	4 x 0.41	8.25	9.41	0.25	1.25	1.36	2.36	0.39
	145TC	6.69	7.68	3.54	12.03	4.53	0.55	5.31	6.5	0.94	0.55	1/2 -13	0.19	0.88	0.97	6.5	5.88	4.5	4 x 0.41	8.25	9.41	0.25	1.25	1.36	2.36	0.47
	182/4TC	6.69	7.68	3.54	12.76	4.53	0.55	5.31	6.5	0.94	0.55	1/2 -13	0.25	1.13	1.25	9	7.25	8.5	4 x 0.55	8.25	9.41	0.25	1.25	1.36	2.36	0.67
57	56C	7.48	7.87	3.94	12.34	4.53	0.63	5.31	6.5	0.94	0.53	1/2 -13	0.188	0.625	0.71	6.5	5.875	4.5	0.41	8.17	10.12	0.31	1.375	1.52	2.76	0.39
	143/5TC	7.48	7.87	3.94	12.74	4.53	0.63	5.31	6.5	0.94	0.53	1/2 -13	0.188	0.875	0.96	6.5	5.875	4.5	0.41	8.17	10.12	0.31	1.375	1.52	2.76	0.47
	182/4TC	7.48	7.87	3.94	13.46	4.53	0.63	5.31	6.5	0.94	0.53	1/2 -13	0.25	1.125	1.24	9.0	7.25	8.5	0.55	8.17	10.12	0.31	1.375	1.52	2.76	0.67
67	56C	8.27	9.25	3.94	13.13	5.12	0.67	5.91	7.68	1.26	0.55	1/2 -13	0.19	0.63	0.72	6.5	5.88	4.5	4 x 0.41	8.89	10.98	0.31	1.38	1.51	2.76	0.39
	145TC	8.27	9.25	3.94	13.52	5.12	0.67	5.91	7.68	1.26	0.55	1/2 -13	0.19	0.88	0.97	6.5	5.88	4.5	4 x 0.41	8.89	10.98	0.31	1.38	1.51	2.76	0.47
	182/4TC	8.27	9.25	3.94	14.25	5.12	0.67	5.91	7.68	1.26	0.55	1/2 -13	0.25	1.13	1.25	9	7.25	8.5	4 x 0.55	8.89	10.98	0.31	1.38	1.51	2.76	0.67
77	56C	9.06	9.65	4.53	14.23	5.51	0.61	6.69	8.07	1.18	0.71	5/8 -11	0.19	0.63	0.72	6.5	5.88	4.5	4 x 0.41	10.04	11.91	0.38	1.63	1.79	3.15	0.39
	145TC	9.06	9.65	4.53	14.23	5.51	0.61	6.69	8.07	1.18	0.71	5/8 -11	0.19	0.88	0.97	6.5	5.88	4.5	4 x 0.41	10.04	11.91	0.38	1.63	1.79	3.15	0.47
	182/4TC	9.06	9.65	4.53	14.96	5.51	0.61	6.69	8.07	1.18	0.71	5/8 -11	0.25	1.13	1.25	9	7.25	8.5	4 x 0.55	10.04	11.91	0.38	1.63	1.79	3.15	0.67
	213/5TC	9.06	9.65	4.53	17.22	5.51	0.61	6.69	8.07	1.18	0.71	5/8 -11	0.31	1.38	1.53	9	7.25	8.5	4 x 0.55	10.04	11.91	0.38	1.63	1.79	3.15	0.67
87	145TC	11.42	12.2	5.51	17.2	7.09	0.71	8.46	10.24	1.77	0.71	3/4 -10	0.19	0.88	0.97	6.5	5.88	4.5	4 x 0.41	12.99	14.65	0.5	2.13	2.34	3.94	0.47
	182/4TC	11.42	12.2	5.51	17.33	7.09	0.71	8.46	10.24	1.77	0.71	3/4 -10	0.25	1.13	0.68	9	7.25	8.5	4 x 0.55	12.99	14.65	0.5	2.13	2.34	3.94	0.67
	213/5TC	11.42	12.2	5.51	19.59	7.09	0.71	8.46	10.24	1.77	0.71	3/4 -10	0.31	1.38	0.88	9	7.25	8.5	4 x 0.55	12.99	14.65	0.5	2.13	2.34	3.94	0.67
	254/6TC	11.42	12.2	5.51	20.57	7.09	0.71	8.46	10.24	1.77	0.71	3/4 -10	0.31	1.38	1.53	10	7.25	8.5	4 x 0.55	12.99	14.65	0.5	2.13	2.34	3.94	0.79
	182/4TC	13.39	14.37	6.3	19.84	8.86	0.81	9.84	12.2	2.17	0.87	3/4 -11	0.25	1.13	0.68	9	7.25	8.5	4 x 0.55	15.16	17.32	0.63	2.38	2.65	4.72	0.67
97	213/5TC	13.39	14.37	6.3	21.95	8.86	0.81	9.84	12.2	2.17	0.87	3/4 -11	0.31	1.38	0.88	9	7.25	8.5	4 x 0.55	15.16	17.32	0.63	2.38	2.65	4.72	0.67
	254/6TC	13.39	14.37	6.3	22.93	8.86	0.81	9.84	12.2	2.17	0.87	3/4 -11	0.38	1.63	1.81	10	7.25	8.5	4 x 0.55	15.16	17.32	0.63	2.38	2.65	4.72	0.79
	284/6TC	13.39	14.37	6.3	23.29	8.86	0.81	9.84	12.2	2.17	0.87	3/4 -11	0.5	1.88	1.10	11.26	9	10.5	4 x 0.59	15.16	17.32	0.63	2.38	2.65	4.72	0.79
	213/5TC	15.75	17.32	7.28	23.74	9.84	0.91	11.42	14.57	2.56	1.02	3/4 -10	0.31	1.38	1.52	9	7.25	8.5	4 x 0.55	15.92	19.49	0.75	2.88	3.2	5.51	0.67
107	254/6TC	15.75	17.32	7.28	24.72	9.84	0.91	11.42	14.57	2.56	1.02	3/4 -10	0.38	1.63	1.81	10	7.25	8.5	4 x 0.55	15.92	19.49	0.75	2.88	3.2	5.51	0.79
	284/6TC	15.75	17.32	7.28	25.08	9.84	0.91	11.42	14.57	2.56	1.02	3/4 -10	0.5	1.88	2.13	11.26	9	10.5	4 x 0.59	15.92	19.49	0.75	2.88	3.2	5.51	0.79
	324/6TC	15.75	17.32	7.28	26.3	9.84	0.91	11.42	14.57	2.56	1.02	3/4 -10	0.5	2.13	2.38	14.02	11	12.5	4 x 0.65	15.92	19.49	0.75	2.88	3.2	5.51	0.79
	254/6TC	17.72	19.29	8.66	28.07	12.4	1.38	13.39	16.14	2.76	1.3	1 - 8	0.38	1.63	1.81	10	7.25	8.5	4 x 0.55	19.29	23.23	0.88	3.63	4.01	6.69	0.79
Non-Stock	284/6TC	17.72	19.29	8.66	28.39	12.4	1.38	13.39	16.14	2.76	1.3	1 - 8	0.5	1.88	2.13	11.26	9	10.5	4 x 0.59	19.29	23.23	0.88	3.63	4.01	6.69	0.79
	324/6TC	17.72	19.29	8.66	29.61	12.4	1.38	13.39	16.14	2.76	1.3	1 - 8	0.5	2.13	2.38	14.02	11	12.5	4 x 0.65	19.29	23.23	0.88	3.63	4.01	6.69	0.79
	364/5TC	17.72	19.29	8.66	30.67	12.4	1.38	13.39	16.14	2.76	1.3	1 - 8	0.63	2.38	2.65	14.02	11	12.5	4 x 0.65	19.29	23.23	0.88	3.63	4.01	6.69	0.87
	254/6TC	20.87	23.23	10.24	31.89	13.98	2.05	14.96	19.69	3.15	1.54	1 - 8	0.38	1.63	1.81	10	7.25	8.5	4 x 0.55	24.96	27.36	1	4.38	4.82	8.27	0.79
Non-Stock	284/6TC	20.87	23.23	10.24	32.2	13.98	2.05	14.96	19.69	3.15	1.54	1 - 8	0.5	1.88	2.13	11.26	9	10.5	4 x 0.59	24.96	27.36	1	4.38	4.82	8.27	0.79
	324/6TC	20.87	23.23	10.24	33.58	13.98	2.05	14.96	19.69	3.15	1.54	1 - 8	0.5	2.13	2.38	14.02	11	12.5	4 x 0.65	24.96	27.36	1	4.38	4.82	8.27	0.79
	365/5TC	20.87	23.23	10.24	34.65	13.98	2.05	14.96	19.69	3.15	1.54	1 - 8	0.63	2.38	2.65	14.02	11	12.5	4 x 0.65	24.96	27.36	1	4.38	4.82	8.27	0.87
	405TC	20.87	23.23	10.24	36.61	13.98	2.05	14.96	19.69	3.15	1.54	1 - 8	0.75	2.88	3.21	13.88	11	12.5	4 x 0.73	24.96	27.36	1	4.38	4.82	8.27	0.75

Dimensions shown in this catalog are for general use only.
RX model dimensions are not shown.
For an exact drawing on a specific rating, please contact our sales office.

WINL Series - Inline Gear Reducers:
Competitor Dimensional Comparison - SEW Eurodrive



3
WINL SERIES
INLINE GEAR REDUCERS

All listed dimensions in inches																											
Box Size	NEMA Frame	SEW Model	A	B	BA	C	D	DB	E	F	G	H	M (UNC)	MA	MB	MC	N	NA	NB	NC	OA	Q	S	U	UY	V	X
37	56C	R37	5.71	6.30	2.95	11.77	3.54	0.40	4.33	5.12	0.71	0.35	3/8 - 16	0.19	0.63	0.71	6.69	5.87	4.5	4 x 0.41	5.94	7.91	0.25	1	1.11	1.97	0.61
	145TC		5.71	6.30	2.95	12.70	3.54	0.40	4.33	5.12	0.71	0.35	3/8 - 16	0.19	0.88	0.97	6.69	5.87	4.5	4 x 0.41	5.94	7.91	0.25	1	1.11	1.97	0.65
47	56C	R47	6.69	7.68	3.54	12.86	4.53	0.55	5.31	6.50	0.94	0.53	1/2 - 13	0.19	0.63	0.71	6.69	5.87	4.5	4 x 0.41	7.36	9.25	0.25	1.25	1.36	2.36	0.61
	145TC		6.69	7.68	3.54	13.78	4.53	0.55	5.31	6.50	0.94	0.53	1/2 - 13	0.19	0.88	0.97	6.69	5.87	4.5	4 x 0.41	7.36	9.25	0.25	1.25	1.36	2.36	0.65
57	182/4TC	R57	6.69	7.68	3.54	15.26	4.53	0.55	5.31	6.50	0.94	0.53	1/2 - 13	0.25	1.13	1.25	8.98	7.24	8.5	4 x 0.59	7.36	9.25	0.25	1.25	1.36	2.36	0.59
	56C		7.48	7.87	3.94	13.55	4.53	0.44	5.31	6.5	0.94	0.53	1/2-13	0.188	0.625	0.71	6.69	5.875	4.5	4 x 0.35	7.36	10.12	0.31	1.375	1.51	2.76	0.43
67	143/5TC	R67	7.48	7.87	3.94	14.47	4.53	0.44	5.31	6.5	0.94	0.53	1/2-13	0.188	0.875	0.98	6.69	5.875	4.5	4 x 0.35	7.36	10.12	0.31	1.375	1.51	2.76	0.47
	182/4TC		7.48	7.87	3.94	15.93	4.53	0.44	5.31	6.5	0.94	0.53	1/2-13	0.25	1.125	1.24	9.0	7.25	8.5	4 x 0.35	7.36	10.12	0.31	1.375	1.51	2.76	0.39
77	56C	R77	8.27	9.25	3.94	14.63	5.12	0.81	5.91	7.68	1.18	0.55	1/2 - 13	0.19	0.63	0.71	6.69	5.87	4.5	4 x 0.41	8.35	11.02	0.31	1.38	1.51	2.76	0.61
	145TC		8.27	9.25	3.94	15.55	5.12	0.81	5.91	7.68	1.18	0.55	1/2 - 13	0.19	0.88	0.97	6.69	5.87	4.5	4 x 0.41	8.35	11.02	0.31	1.38	1.51	2.76	0.65
87	182/4TC	R87	9.06	9.65	4.53	15.18	5.51	0.63	6.69	8.07	1.18	0.69	5/8 - 11	0.19	0.63	0.71	6.69	5.87	4.5	4 x 0.41	8.98	11.81	0.38	1.63	1.79	3.15	0.61
	145TC		9.06	9.65	4.53	16.06	5.51	0.63	6.69	8.07	1.18	0.69	5/8 - 11	0.19	0.88	0.97	6.69	5.87	4.5	4 x 0.41	8.98	11.81	0.38	1.63	1.79	3.15	0.65
97	182/4TC	R97	9.06	9.65	4.53	17.50	5.51	0.63	6.69	8.07	1.18	0.69	5/8 - 11	0.25	1.13	1.25	8.98	7.24	8.5	4 x 0.59	8.98	11.81	0.38	1.63	1.79	3.15	0.59
	213/5TC		9.06	9.65	4.53	19.43	5.51	0.63	6.69	8.07	1.18	0.69	5/8 - 11	0.31	1.38	1.52	8.98	7.24	8.5	4 x 0.59	8.98	11.81	0.38	1.63	1.79	3.15	0.63
107	182/4TC	R107	11.42	12.20	5.51	18.71	7.09	0.50	8.46	10.24	1.77	0.69	3/4 - 10	0.19	0.88	0.97	6.69	5.87	4.5	4 x 0.41	11.61	14.65	0.5	2.13	2.35	3.94	0.65
	213/5TC		11.42	12.20	5.51	20.15	7.09	0.50	8.46	10.24	1.77	0.69	3/4 - 10	0.25	1.13	1.25	8.98	7.24	8.5	4 x 0.59	11.61	14.65	0.5	2.13	2.35	3.94	0.59
137	182/4TC	R137	13.39	14.37	6.30	22.62	8.86	0.40	9.84	12.20	2.17	0.87	3/4 - 10	0.25	1.13	1.25	8.98	7.24	8.5	4 x 0.59	14.49	17.32	0.63	2.38	2.65	4.72	0.59
	213/5TC		13.39	14.37	6.30	24.55	8.86	0.40	9.84	12.20	2.17	0.87	3/4 - 10	0.31	1.38	1.52	8.98	7.24	8.5	4 x 0.59	14.49	17.32	0.63	2.38	2.65	4.72	0.63
147	254/6TC	R147	13.39	14.37	6.30	26.54	8.86	0.40	9.84	12.20	2.17	0.87	3/4 - 10	0.38	1.63	1.8	8.98	7.24	8.5	4 x 0.59	14.49	17.32	0.63	2.38	2.65	4.72	0.67
	284/6TC		13.39	14.37	6.30	26.81	8.86	0.40	9.84	12.20	2.17	0.87	3/4 - 10	0.50	1.88	2.1	11.26	9	10.5	4 x 0.59	14.49	17.32	0.63	2.38	2.65	4.72	0.99
Non-Stock	213/5TC	R107	15.75	17.32	7.28	26.48	9.84	0.80	11.42	14.57	2.56	1.02	3/4 - 10	0.31	1.38	1.52	8.98	7.24	8.5	4 x 0.59	16.06	19.49	0.75	2.88	3.2	5.51	0.63
	254/6TC		15.75	17.32	7.28	28.47	9.84	0.80	11.42	14.57	2.56	1.02	3/4 - 10	0.38	1.63	1.8	8.98	7.24	8.5	4 x 0.59	16.06	19.49	0.75	2.88	3.2	5.51	0.67
Non-Stock	284/6TC	R137	15.75	17.32	7.28	28.75	9.84	0.80	11.42	14.57	2.56	1.02	3/4 - 10	0.50	1.88	2.1	11.26	9	10.5	4 x 0.59	16.06	19.49	0.75	2.88	3.2	5.51	0.79
	324/6TC		15.75	17.32	7.28	31.11	9.84	0.80	11.42	14.57	2.56	1.02	3/4 - 10	0.50	2.13	2.36	14.02	11	12.5	4 x 0.69	16.06	19.49	0.75	2.88	3.2	5.51	0.87
Non-Stock	254/6TC	R137	17.72	19.29	8.66	31.89	12.40	0.99	13.39	16.14	2.76	1.30	1 - 8	0.38	1.63	1.8	8.98	7.24	8.5	4 x 0.59	19.49	23.19	0.88	3.63	4.01	6.69	0.67
	284/6TC		17.72	19.29	8.66	32.17	12.40	0.99	13.39	16.14	2.76	1.30	1 - 8	0.50	1.88	2.1	11.26	9	10.5	4 x 0.59	19.49	23.19	0.88	3.63	4.01	6.69	0.79
Non-Stock	324/6TC	R137	17.72	19.29	8.66	34.53	12.40	0.99	13.39	16.14	2.76	1.30	1 - 8	0.50	2.13	2.36	14.02	11	12.5	4 x 0.69	19.49	23.19	0.88	3.63	4.01	6.69	0.87
	365/5TC		17.72	19.29	8.66	34.53	12.40	0.99	13.39	16.14	2.76	1.30	1 - 8	0.63	2.38	2.66	14.02	11	12.5	4 x 0.69	19.49	23.19	0.88	3.63	4.01	6.69	0.87
Non-Stock	254/6TC	R147	20.87	23.23	10.24	35.75	13.98	1.31	14.96	19.69	3.15	1.54	1 - 8	0.38	1.63	1.8	8.98	7.24	8.5	4 x 0.59	22.24	27.36	1	4.38	4.82	8.27	0.67
	284/6TC		20.87	23.23	10.24	36.02	13.98	1.31	14.96	19.69	3.15	1.54	1 - 8	0.50	1.88	2.1	11.26	9	10.5	4 x 0.59	22.24	27.36	1	4.38	4.82	8.27	0.79
Non-Stock	324/6TC	R147	20.87	23.23	10.24	38.39	13.98	1.31	14.96	19.69	3.15	1.54	1 - 8	0.50	2.13	2.36	14.02	11	12.5	4 x 0.69	22.24	27.36	1	4.38	4.82	8.27	0.87
	365/5TC		20.87	23.23	10.24	38.39	13.98	1.31	14.96	19.69	3.15	1.54	1 - 8	0.63	2.38	2.66	14.02	11	12.5	4 x 0.69	22.24	27.36	1	4.38	4.82	8.27	0.87

SEW Eurodrive dimensional data was derived from their Catalog - US - GM.
Blue shaded cells indicate a dimensional difference.

Section 3: Helical and Helical-Bevel Gear Reducers

KAN & KHN Series - Helical-Bevel Gear Reducers

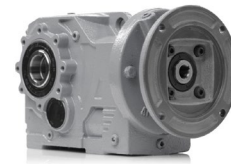


Product Overview

Product Specifications

- 5:1 - 120:1 ratios
Additional ratios via custom order
- Box sizes 37 - 97
- Horsepower range from 3/4 HP to 30 HP
- **KAN Series:** Torque arm mounted or flange mounted - hollow bore output series. Torque arm and B5 flange are sold separately.

- **KHN Series:** Foot mounted - hollow bore output series
- All cast iron housings for increased strength and reliability
- Gears are precision machined for better rotation and quieter operation
- Gearbox flanges are designed to accept NEMA C-face electric motors
- Drop-in for most major European-produced inline reducer brands
- 2 year warranty



KAN Series



KHN Series

Box Size	Nominal Ratio	Actual Ratio	Output RPM @ 1750 RPM Input	Input HP	S.C.	Output Torque (lbs. in.)	O.H.L. (lbs.)	Motor Frame	Stages	Approx. Weight (lbs.)	KAN Model Number	KAN List Price	KHN Model Number	KHN List Price
37	5	4.72	370	0.75	III	120	450	56C	3	32	KAN37-5/1-H-56C	\$1,699.78	KHN37-5/1-H-56C	\$1,746.53
	5	4.72	370	2.00	III	310	430	143/5TC	3	37	KAN37-5/1-H-143/5TC	\$1,699.78	KHN37-5/1-H-143/5TC	\$1,746.53
	7.5	7.96	220	0.75	III	190	530	56C	3	32	KAN37-7.5/1-H-56C	\$1,699.78	KHN37-7.5/1-H-56C	\$1,746.53
	7.5	7.96	220	2.00	III	520	490	143/5TC	3	37	KAN37-7.5/1-H-143/5TC	\$1,699.78	KHN37-7.5/1-H-143/5TC	\$1,746.53
	10	11.09	158	0.75	III	270	590	56C	3	32	KAN37-10/1-H-56C	\$1,699.78	KHN37-10/1-H-56C	\$1,746.53
	10	11.09	158	2.00	III	720	550	143/5TC	3	37	KAN37-10/1-H-143/5TC	\$1,699.78	KHN37-10/1-H-143/5TC	\$1,746.53
	15	15.32	114	0.75	III	380	650	56C	3	32	KAN37-15/1-H-56C	\$1,699.78	KHN37-15/1-H-56C	\$1,746.53
	15	15.32	114	2.00	II	1000	590	143/5TC	3	37	KAN37-15/1-H-143/5TC	\$1,699.78	KHN37-15/1-H-143/5TC	\$1,746.53
	25	23.10	76	0.75	III	570	730	56C	3	32	KAN37-25/1-H-56C	\$1,699.78	KHN37-25/1-H-56C	\$1,746.53
	25	23.10	76	2.00	I	1510	600	143/5TC	3	37	KAN37-25/1-H-143/5TC	\$1,699.78	KHN37-25/1-H-143/5TC	\$1,746.53
	30	32.19	54	0.75	III	790	810	56C	3	32	KAN37-30/1-H-56C	\$1,699.78	KHN37-30/1-H-56C	\$1,746.53
	30	32.19	54	1.00	II	1050	780	143TC	3	37	KAN37-30/1-H-143TC	\$1,699.78	KHN37-30/1-H-143TC	\$1,746.53
	40	37.97	46	0.75	II	930	850	56C	3	32	KAN37-40/1-H-56C	\$1,699.78	KHN37-40/1-H-56C	\$1,746.53
	40	37.97	46	1.00	I	1240	810	143TC	3	37	KAN37-40/1-H-143TC	\$1,699.78	KHN37-40/1-H-143TC	\$1,746.53
	50	49.51	35	0.75	I	1210	910	56C	3	32	KAN37-50/1-H-56C	\$1,699.78	KHN37-50/1-H-56C	\$1,746.53
	60	59.67	29	0.75	I	1460	940	56C	3	32	KAN37-60/1-H-56C	\$1,699.78	KHN37-60/1-H-56C	\$1,746.53
47	5	5.85	299	2.00	III	380	510	145TC	3	51	KAN47-5/1-H-145TC	\$1,845.53	KHN47-5/1-H-145TC	\$1,911.21
	5	5.85	299	5.00	II	960	450	182/4TC	3	57	KAN47-5/1-H-182/4TC	\$1,845.53	KHN47-5/1-H-182/4TC	\$1,911.21
	7.5	7.11	246	2.00	III	460	530	145TC	3	51	KAN47-7.5/1-H-145TC	\$1,845.53	KHN47-7.5/1-H-145TC	\$1,911.21
	7.5	7.11	246	5.00	II	1160	460	182/4TC	3	57	KAN47-7.5/1-H-182/4TC	\$1,845.53	KHN47-7.5/1-H-182/4TC	\$1,911.21
	10	9.95	176	0.75	III	240	620	56C	3	46	KAN47-10/1-H-56C	\$1,845.53	KHN47-10/1-H-56C	\$1,911.21
	10	9.95	176	2.00	III	650	580	143/5TC	3	51	KAN47-10/1-H-143/5TC	\$1,845.53	KHN47-10/1-H-143/5TC	\$1,911.21
	10	9.95	176	5.00	I	1620	470	182/4TC	3	57	KAN47-10/1-H-182/4TC	\$1,845.53	KHN47-10/1-H-182/4TC	\$1,911.21
	15	16.99	103	2.00	III	1110	670	145TC	3	51	KAN47-15/1-H-145TC	\$1,845.53	KHN47-15/1-H-145TC	\$1,911.21
	15	16.99	103	3.00	II	1660	600	182TC	3	57	KAN47-15/1-H-182TC	\$1,845.53	KHN47-15/1-H-182TC	\$1,911.21
	20	20.65	85	2.00	II	1350	690	143/5TC	3	51	KAN47-20/1-H-143/5TC	\$1,845.53	KHN47-20/1-H-143/5TC	\$1,911.21
	20	20.65	85	3.00	I	2020	610	182TC	3	57	KAN47-20/1-H-182TC	\$1,845.53	KHN47-20/1-H-182TC	\$1,911.21
	30	28.88	61	0.75	III	710	855	56C	3	46	KAN47-30/1-H-56C	\$1,845.53	KHN47-30/1-H-56C	\$1,911.21
	30	28.88	61	2.00	II	1890	730	143/5TC	3	51	KAN47-30/1-H-143/5TC	\$1,845.53	KHN47-30/1-H-143/5TC	\$1,911.21
	40	41.36	42	0.75	III	1010	950	56C	3	46	KAN47-40/1-H-56C	\$1,845.53	KHN47-40/1-H-56C	\$1,911.21
	40	41.36	42	2.00	I	2700	750	143/5TC	3	51	KAN47-40/1-H-143/5TC	\$1,845.53	KHN47-40/1-H-143/5TC	\$1,911.21
	50	47.08	37	0.75	III	1150	980	56C	3	46	KAN47-50/1-H-56C	\$1,845.53	KHN47-50/1-H-56C	\$1,911.21
50	47.08	37	2.00	I	3080	750	143TC	3	51	KAN47-50/1-H-143TC	\$1,845.53	KHN47-50/1-H-143TC	\$1,911.21	
60	58.99	30	0.75	III	1440	1030	56C	3	46	KAN47-60/1-H-56C	\$1,845.53	KHN47-60/1-H-56C	\$1,911.21	
60	58.99	30	1.00	II	1930	980	143TC	3	51	KAN47-60/1-H-143TC	\$1,845.53	KHN47-60/1-H-143TC	\$1,911.21	
70	71.78	24	0.75	III	1760	1070	56C	3	46	KAN47-70/1-H-56C	\$1,845.53	KHN47-70/1-H-56C	\$1,911.21	
70	71.78	24	1.00	II	2340	1000	143TC	3	51	KAN47-70/1-H-143TC	\$1,845.53	KHN47-70/1-H-143TC	\$1,911.21	
85	86.89	20	0.75	II	2130	1110	56C	3	46	KAN47-85/1-H-56C	\$1,845.53	KHN47-85/1-H-56C	\$1,911.21	
57	10	11.00	159	5.00	II	1800	730	182/4TC	3	66	KAN57-10/1-H-182/4TC	\$2,055.00	---	---
	18	17.57	100	5.00	I	2870	720	182/4TC	3	68	---	---	KHN57-18/1-H-182/4TC	\$2,055.00
	20	22.24	79	5.00	I	3630	710	182/4TC	3	68	KAN57-20/1-H-182/4TC	\$2,055.00	KHN57-20/1-H-182/4TC	\$2,055.00
	30	32.22	54	2.00	III	2100	1100	143/5TC	3	59	KAN57-30/1-H-143/5TC	\$2,055.00	---	---
	30	32.22	54	3.00	II	3160	980	182TC	3	66	KAN57-30/1-H-182TC	\$2,055.00	KHN57-30/1-H-182TC	\$2,055.00
	40	41.71	42	0.75	III	1020	1320	56C	3	58	---	---	KHN57-40/1-H-56C	\$2,055.00
	40	41.71	42	2.00	II	2720	1150	143/5TC	3	62	---	---	KHN57-40/1-H-143/5TC	\$2,055.00
	40	41.71	42	3.00	I	4090	990	182TC	3	66	KAN57-40/1-H-182TC	\$2,055.00	KHN57-40/1-H-182TC	\$2,055.00
	45	44.43	39	2.00	II	2900	1110	145TC	3	59	KAN57-45/1-H-145TC	\$2,055.00	---	---
	45	44.43	39	3.00	I	4350	920	182TC	3	68	KAN57-45/1-H-182TC	\$2,055.00	KHN57-45/1-H-182TC	\$2,055.00
	65	65.13	27	0.75	III	1600	1460	56C	3	58	---	---	KHN57-65/1-H-56C	\$2,055.00
	65	65.13	27	2.00	I	4250	1140	143/5TC	3	59	KAN57-65/1-H-143/5TC	\$2,055.00	KHN57-65/1-H-143/5TC	\$2,055.00
	110	108.29	16	1.00	II	3540	1540	143TC	3	62	---	---	KHN57-110/1-H-143TC	\$2,055.00
	120	118.43	15	0.75	II	2900	1670	56C	3	59	KAN57-120/1-H-56C	\$2,055.00	KHN57-120/1-H-56C	\$2,055.00
	120	118.43	15	1.00	I	3870	1560	143TC	3	59	KAN57-120/1-H-143TC	\$2,055.00	KHN57-120/1-H-143TC	\$2,055.00
	67	10	9.66	181	2.00	III	630	1610	145TC	3	73	KAN67-10/1-H-145TC	\$2,253.79	KHN67-10/1-H-145TC
10		9.66	181	5.00	III	1580	1360	182/4TC	3	80	KAN67-10/1-H-182/4TC	\$2,253.79	KHN67-10/1-H-182/4TC	\$2,390.10
15		14.16	124	0.75	III	350	1900	56C	3	69	KAN67-15/1-H-56C	\$2,253.79	KHN67-15/1-H-56C	\$2,390.10
15		14.16	124	2.00	III	920	1750	143/5TC	3	73	KAN67-15/1-H-143/5TC	\$2,253.79	KHN67-15/1-H-143/5TC	\$2,390.10
15		14.16	124	5.00	III	2310	1380	182/4TC	3	80	KAN67-15/1-H-182/4TC	\$2,253.79	KHN67-15/1-H-182/4TC	\$2,390.10
20		22.18	79	2.00	III	1450	1910	145TC	3	73	KAN67-20/1-H-145TC	\$2,253.79	KHN67-20/1-H-145TC	\$2,390.10
20		22.18	79	5.00	III	3620	1340	182/4TC	3	80	KAN67-20/1-H-182/4TC	\$2,253.79	KHN67-20/1-H-182/4TC	\$2,390.10
30		30.90	57	2.00	III	2020	1980	145TC	3	73	KAN67-30/1-H-145TC	\$2,253.79	KHN67-30/1-H-145TC	\$2,390.10
30		30.90	57	5.00	I	5050	1170	182/4TC	3	80	KAN67-30/1-H-182/4TC	\$2,253.79	KHN67-30/1-H-182/4TC	\$2,390.10
40		37.98	46	0.75	III	930	2140	56C	3	69	KAN67-40/1-H-56C	\$2,253.79	KHN67-40/1-H-56C	\$2,390.10
40		37.98	46	2.00	III	2480	2020	143/5TC	3	73	KAN67-40/1-H-143/5TC	\$2,253.79	KHN67-40/1-H-143/5TC	\$2,390.10
40		37.98	46	3.00	III	3720	1690	182TC	3	80	KAN67-40/1-H-182TC	\$2,253.79	KHN67-40/1-H-182TC	\$2,390.10

Service Class I (S.F.=1.0) Service Class II (S.F.=1.5) Service Class III (S.F.=2.0) * Service Class < 1

Continued On Next Page

3 KAN & KHN SERIES - HELICAL BEVEL GEAR REDUCERS

Section 3: Helical and Helical-Bevel Gear Reducers

KAN & KHN Series - Helical-Bevel Gear Reducers



KAN & KHN Series - Helical Bevel Gear Reducers: Product Overview (Continued)

Box Size	Nominal Ratio	Actual Ratio	Output RPM @ 1750 RPM Input	Input HP	S.C.	Output Torque (lbs. in.)	O.H.L. (lbs.)	Motor Frame	Stages	Approx. Weight (lbs.)	KAN Model Number	KAN List Price	KHN Model Number	KHN List Price
67	45	46.33	38	0.75	III	1130	2140	56C	3	69	KAN67-45/1-H-56C	\$2,253.79	KHN67-45/1-H-56C	\$2,390.10
	45	46.33	38	2.00	III	3030	2040	143/5TC	3	73	KAN67-45/1-H-143/5TC	\$2,253.79	KHN67-45/1-H-143/5TC	\$2,390.10
	45	46.33	38	3.00	III	4540	1630	182TC	3	80	KAN67-45/1-H-182TC	\$2,253.79	KHN67-45/1-H-182TC	\$2,390.10
	65	64.97	27	0.75	III	1590	2140	56C	3	69	KAN67-65/1-H-56C	\$2,253.79	KHN67-65/1-H-56C	\$2,390.10
	65	64.97	27	2.00	I	4240	2040	143/5TC	3	73	KAN67-65/1-H-143/5TC	\$2,253.79	KHN67-65/1-H-143/5TC	\$2,390.10
	85	84.10	21	0.75	III	2060	2140	56C	3	69	KAN67-85/1-H-56C	\$2,253.79	KHN67-85/1-H-56C	\$2,390.10
	85	84.10	21	2.00	I	5490	1970	143/5TC	3	73	KAN67-85/1-H-143/5TC	\$2,253.79	KHN67-85/1-H-143/5TC	\$2,390.10
	110	108.03	16	0.75	III	2650	2140	56C	3	69	KAN67-110/1-H-56C	\$2,253.79	KHN67-110/1-H-56C	\$2,390.10
	110	108.03	16	1.00	III	3530	2140	143TC	3	73	KAN67-110/1-H-143TC	\$2,253.79	KHN67-110/1-H-143TC	\$2,390.10
	120	118.14	15	0.75	III	2890	2140	56C	3	69	KAN67-120/1-H-56C	\$2,253.79	KHN67-120/1-H-56C	\$2,390.10
	120	118.14	15	1.00	II	3860	2140	143TC	3	73	KAN67-120/1-H-143TC	\$2,253.79	KHN67-120/1-H-143TC	\$2,390.10
	77	7.5	8.40	208	5.00	III	1390	1850	184TC	3	132	KAN77-7.5/1-H-184TC	\$3,469.32	KHN77-7.5/1-H-184TC
7.5		8.40	208	10.00	III	2780	1540	213/5TC	3	148	KAN77-7.5/1-H-213/5TC	\$3,469.32	KHN77-7.5/1-H-213/5TC	\$3,632.81
10		9.96	176	5.00	III	1650	1910	184TC	3	132	KAN77-10/1-H-184TC	\$3,469.32	KHN77-10/1-H-184TC	\$3,632.81
10		9.96	176	10.00	III	3290	1540	213/5TC	3	148	KAN77-10/1-H-213/5TC	\$3,469.32	KHN77-10/1-H-213/5TC	\$3,632.81
15		15.73	111	5.00	III	2600	2070	184TC	3	132	KAN77-15/1-H-184TC	\$3,469.32	KHN77-15/1-H-184TC	\$3,632.81
15		15.73	111	10.00	II	5200	1540	213/5TC	3	148	KAN77-15/1-H-213/5TC	\$3,469.32	KHN77-15/1-H-213/5TC	\$3,632.81
20		20.24	86	5.00	III	3350	2130	184TC	3	132	KAN77-20/1-H-184TC	\$3,469.32	KHN77-20/1-H-184TC	\$3,632.81
20		20.24	86	10.00	I	6690	1450	213/5TC	3	148	KAN77-20/1-H-213/5TC	\$3,469.32	KHN77-20/1-H-213/5TC	\$3,632.81
30		30.48	57	5.00	III	5040	2070	184TC	3	132	KAN77-30/1-H-184TC	\$3,469.32	KHN77-30/1-H-184TC	\$3,632.81
30		30.48	57	10.00	I	10080	960	213/5TC	3	148	KAN77-30/1-H-213/5TC	\$3,469.32	KHN77-30/1-H-213/5TC	\$3,632.81
40		39.76	44	5.00	II	6570	2100	184TC	3	132	KAN77-40/1-H-184TC	\$3,469.32	KHN77-40/1-H-184TC	\$3,632.81
40		39.76	44	7.50	I	9860	1430	213TC	3	148	KAN77-40/1-H-213TC	\$3,469.32	KHN77-40/1-H-213TC	\$3,632.81
87	7.5	8.27	212	10.00	III	4700	2350	213/5TC	3	230	KAN87-7.5/1-H-213/5TC	\$5,439.39	KHN87-7.5/1-H-213/5TC	\$5,659.64
	7.5	8.27	212	20.00	III	5400	1910	254/6TC	3	257	KAN87-7.5/1-H-254/6TC	\$5,439.39	KHN87-7.5/1-H-254/6TC	\$5,659.64
	10	10.53	166	5.00	III	1720	2720	184TC	3	208	KAN87-10/1-H-184TC	\$5,439.39	KHN87-10/1-H-184TC	\$5,659.64
	10	10.53	166	10.00	III	3440	2440	213/5TC	3	230	KAN87-10/1-H-213/5TC	\$5,439.39	KHN87-10/1-H-213/5TC	\$5,659.64
	10	10.53	166	20.00	III	6880	1880	254/6TC	3	257	KAN87-10/1-H-254/6TC	\$5,439.39	KHN87-10/1-H-254/6TC	\$5,659.64
	15	15.66	112	10.00	III	5120	2630	213/5TC	3	230	KAN87-15/1-H-213/5TC	\$5,439.39	KHN87-15/1-H-213/5TC	\$5,659.64
	15	15.66	112	20.00	II	10230	1880	254/6TC	3	257	KAN87-15/1-H-254/6TC	\$5,439.39	KHN87-15/1-H-254/6TC	\$5,659.64
	20	20.90	84	10.00	III	6830	2580	213/5TC	3	230	KAN87-20/1-H-213/5TC	\$5,439.39	KHN87-20/1-H-213/5TC	\$5,659.64
	20	20.90	84	20.00	I	13650	1460	254/6TC	3	257	KAN87-20/1-H-254/6TC	\$5,439.39	KHN87-20/1-H-254/6TC	\$5,659.64
	30	28.30	62	5.00	III	4620	3290	184TC	3	208	KAN87-30/1-H-184TC	\$5,439.39	KHN87-30/1-H-184TC	\$5,659.64
	30	28.30	62	10.00	III	9240	2530	213/5TC	3	230	KAN87-30/1-H-213/5TC	\$5,439.39	KHN87-30/1-H-213/5TC	\$5,659.64
	30	28.30	62	20.00	I	18490	1030	254/6TC	3	257	KAN87-30/1-H-254/6TC	\$5,439.39	KHN87-30/1-H-254/6TC	\$5,659.64
97	7.5	8.31	211	20.00	III	5430	5020	254/6TC	3	393	KAN97-7.5/1-H-254/6TC	\$8,184.66	KHN97-7.5/1-H-254/6TC	\$8,459.59
	7.5	8.31	211	30.00	III	8140	4670	284/6TC	3	402	KAN97-7.5/1-H-284/6TC	\$8,184.66	KHN97-7.5/1-H-284/6TC	\$8,459.59
	10	10.16	172	10.00	III	3320	5660	213/5TC	3	362	KAN97-10/1-H-213/5TC	\$8,184.66	KHN97-10/1-H-213/5TC	\$8,459.59
	10	10.16	172	20.00	III	6630	5220	254/6TC	3	393	KAN97-10/1-H-254/6TC	\$8,184.66	KHN97-10/1-H-254/6TC	\$8,459.59
	10	10.16	172	30.00	III	9950	4780	284/6TC	3	402	KAN97-10/1-H-284/6TC	\$8,184.66	KHN97-10/1-H-284/6TC	\$8,459.59
	15	14.11	124	10.00	III	4610	6190	213/5TC	3	362	KAN97-15/1-H-213/5TC	\$8,184.66	KHN97-15/1-H-213/5TC	\$8,459.59
	15	14.11	124	20.00	III	9210	5640	254/6TC	3	393	KAN97-15/1-H-254/6TC	\$8,184.66	KHN97-15/1-H-254/6TC	\$8,459.59
	15	14.11	124	30.00	III	13820	5100	284/6TC	3	402	KAN97-15/1-H-284/6TC	\$8,184.66	KHN97-15/1-H-284/6TC	\$8,459.59
	20	21.33	82	10.00	III	6970	6800	213/5TC	3	362	KAN97-20/1-H-213/5TC	\$8,184.66	KHN97-20/1-H-213/5TC	\$8,459.59
	20	21.33	82	20.00	III	13930	5970	254/6TC	3	393	KAN97-20/1-H-254/6TC	\$8,184.66	KHN97-20/1-H-254/6TC	\$8,459.59
	20	21.33	82	30.00	II	20900	5150	284/6TC	3	402	KAN97-20/1-H-284/6TC	\$8,184.66	KHN97-20/1-H-284/6TC	\$8,459.59
	30	31.19	56	20.00	I	20370	5850	254/6TC	3	393	KAN97-30/1-H-254/6TC	\$8,184.66	KHN97-30/1-H-254/6TC	\$8,459.59
30	31.19	56	25.00	I	25470	5170	284/6TC	3	402	KAN97-30/1-H-284/6TC	\$8,184.66	KHN97-30/1-H-284/6TC	\$8,459.59	
40	38.12	46	10.00	III	12450	7420	213/5TC	3	362	KAN97-40/1-H-213/5TC	\$8,184.66	KHN97-40/1-H-213/5TC	\$8,459.59	
40	38.12	46	20.00	I	24900	5780	254/6TC	3	393	KAN97-40/1-H-254/6TC	\$8,184.66	KHN97-40/1-H-254/6TC	\$8,459.59	
50	47.16	37	10.00	II	15400	7630	213/5TC	3	362	KAN97-50/1-H-213/5TC	\$8,184.66	KHN97-50/1-H-213/5TC	\$8,459.59	
50	47.16	37	15.00	I	23110	6610	254/6TC	3	393	KAN97-50/1-H-254/6TC	\$8,184.66	KHN97-50/1-H-254/6TC	\$8,459.59	
65	64.72	27	10.00	II	21140	8140	213/5TC	3	362	KAN97-65/1-H-213/5TC	\$8,184.66	KHN97-65/1-H-213/5TC	\$8,459.59	
65	64.72	27	15.00	I	31710	6890	254TC	3	393	KAN97-65/1-H-254TC	\$8,184.66	KHN97-65/1-H-254TC	\$8,459.59	
70	71.78	24	10.00	II	23450	8200	213/5TC	3	362	KAN97-70/1-H-213/5TC	\$8,184.66	KHN97-70/1-H-213/5TC	\$8,459.59	
80	80.07	22	10.00	I	26150	8240	213/5TC	3	362	KAN97-80/1-H-213/5TC	\$8,184.66	KHN97-80/1-H-213/5TC	\$8,459.59	
100	101.37	17	10.00	I	33110	8260	213/5TC	3	362	KAN97-100/1-H-213/5TC	\$8,184.66	KHN97-100/1-H-213/5TC	\$8,459.59	
120	119.87	15	7.50	I	29360	9330	213TC	3	362	KAN97-120/1-H-213TC	\$8,184.66	KHN97-120/1-H-213TC	\$8,459.59	

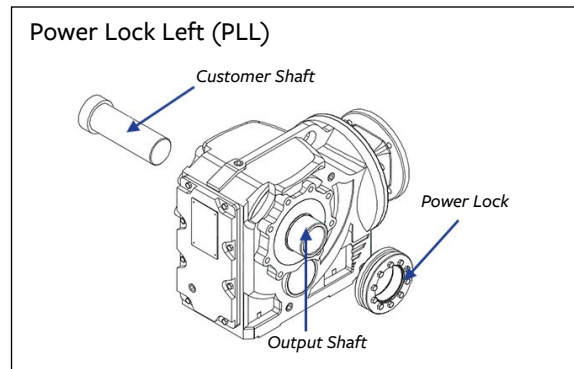
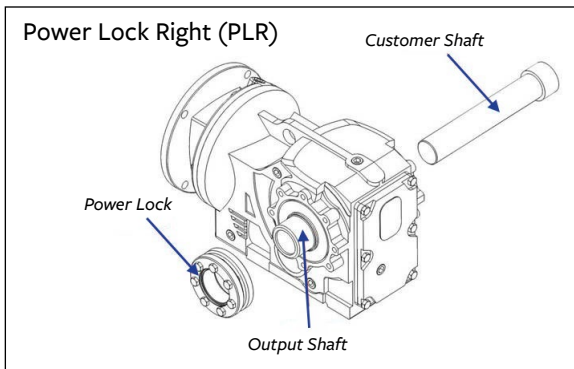
Service Class I (S.F.=1.0) Service Class II (S.F.=1.5) Service Class III (S.F.=2.0) * Service Class < 1

3
KAN & KHN SERIES - HELICAL BEVEL GEAR REDUCERS

**KAN & KHN Series - Helical Bevel Gear Reducers with Power Lock:
 Product Overview**

Product Specifications

- KAN and KHN Series Helical-Bevel Speed Reducers are available with power lock bushings for a more secure connection.
- The power lock assembly achieves a non-positive connection between the driven shaft and the hollow shaft in the gear unit.
- Available on units with frame sizes 87 or 97
- The power lock configuration is not field convertible from left to right or vice versa. The proper configuration must be selected at the time the unit is purchased.
- Power Lock Right (PLR): When facing the input, the power lock is on the right, and the customer shaft is on the left. *See illustration below.*
- Power Lock Left (PLL): When facing the input, the power lock is on the left, and the customer shaft is on the right. *See illustration below.*
- All product features (aside from power lock bushing) and mechanical ratings are consistent with the standard design KAN and KHN Helical Bevel Gear Reducers.



Box Size	Nominal Ratio	Actual Ratio	Output RPM @ 1750 RPM Input	Input HP	S.C.	Output Torque (lbs. in.)	O.H.L. (lbs.)	Motor Frame	Stages	Approx. Weight (lbs.)	KAN Model Number	KAN List Price	KHN Model Number	KHN List Price
87	7.5	8.27	212	10.00	III	2700	2350	213/5TC	3	230	KAN87-7.5/1-H-213/5TC-PLL	\$5,256.99	KHN87-7.5/1-H-213/5TC-PLL	\$5,256.99
	7.5	8.27	212	10.00	III	2700	2350	213/5TC	3	230	KAN87-7.5/1-H-213/5TC-PLR	\$5,256.99	KHN87-7.5/1-H-213/5TC-PLR	\$5,256.99
	7.5	8.27	212	20.00	III	5400	1910	254/6TC	3	257	KAN87-7.5/1-H-254/6TC-PLL	\$5,256.99	KHN87-7.5/1-H-254/6TC-PLL	\$5,256.99
	7.5	8.27	212	20.00	III	5400	1910	254/6TC	3	257	KAN87-7.5/1-H-254/6TC-PLR	\$5,256.99	KHN87-7.5/1-H-254/6TC-PLR	\$5,256.99
	10	10.53	166	5.00	III	1720	2720	184TC	3	208	KAN87-10/1-H-184TC-PLR	\$5,256.99	KHN87-10/1-H-184TC-PLL	\$5,256.99
	10	10.53	166	5.00	III	1720	2720	184TC	3	208	KAN87-10/1-H-184TC-PLL	\$5,256.99	KHN87-10/1-H-184TC-PLR	\$5,256.99
	10	10.53	166	10.00	III	3440	2440	213/5TC	3	230	KAN87-10/1-H-213/5TC-PLL	\$5,256.99	KHN87-10/1-H-213/5TC-PLL	\$5,256.99
	10	10.53	166	10.00	III	3440	2440	213/5TC	3	230	KAN87-10/1-H-213/5TC-PLR	\$5,256.99	KHN87-10/1-H-213/5TC-PLR	\$5,256.99
	10	10.53	166	20.00	III	6880	1880	254/6TC	3	257	KAN87-10/1-H-254/6TC-PLL	\$5,256.99	KHN87-10/1-H-254/6TC-PLL	\$5,256.99
	10	10.53	166	20.00	III	6880	1880	254/6TC	3	257	KAN87-10/1-H-254/6TC-PLR	\$5,256.99	KHN87-10/1-H-254/6TC-PLR	\$5,256.99
	15	15.66	112	10.00	III	5120	2630	213/5TC	3	230	KAN87-15/1-H-213/5TC-PLL	\$5,256.99	KHN87-15/1-H-213/5TC-PLL	\$5,256.99
	15	15.66	112	10.00	III	5120	2630	213/5TC	3	230	KAN87-15/1-H-213/5TC-PLR	\$5,256.99	KHN87-15/1-H-213/5TC-PLR	\$5,256.99
	15	15.66	112	20.00	II	10230	1880	254/6TC	3	257	KAN87-15/1-H-254/6TC-PLL	\$5,256.99	KHN87-15/1-H-254/6TC-PLL	\$5,256.99
	15	15.66	112	20.00	II	10230	1880	254/6TC	3	257	KAN87-15/1-H-254/6TC-PLR	\$5,256.99	KHN87-15/1-H-254/6TC-PLR	\$5,256.99
	20	20.90	84	10.00	III	6830	2850	213/5TC	3	230	KAN87-20/1-H-213/5TC-PLL	\$5,256.99	KHN87-20/1-H-213/5TC-PLL	\$5,256.99
	20	20.9	84	10.00	III	6830	2850	213/5TC	3	230	KAN87-20/1-H-213/5TC-PLR	\$5,256.99	KHN87-20/1-H-213/5TC-PLR	\$5,256.99
	20	20.9	84	20.00	I	13650	2020	254/6TC	3	257	KAN87-20/1-H-254/6TC-PLL	\$5,256.99	KHN87-20/1-H-254/6TC-PLL	\$5,256.99
	20	20.90	84	20.00	I	13650	2020	254/6TC	3	257	KAN87-20/1-H-254/6TC-PLR	\$5,256.99	KHN87-20/1-H-254/6TC-PLR	\$5,256.99
	30	28.30	62	5.00	III	5620	3290	184TC	3	208	KAN87-30/1-H-184TC-PLL	\$5,256.99	KHN87-30/1-H-184TC-PLL	\$5,256.99
	30	28.30	62	5.00	III	5620	3290	184TC	3	208	KAN87-30/1-H-184TC-PLR	\$5,256.99	KHN87-30/1-H-184TC-PLR	\$5,256.99
	30	28.30	62	10.00	III	9240	2530	213/5TC	3	230	KAN87-30/1-H-213/5TC-PLL	\$5,256.99	KHN87-30/1-H-213/5TC-PLL	\$5,256.99
	30	28.30	62	10.00	III	9240	2530	213/5TC	3	230	KAN87-30/1-H-213/5TC-PLR	\$5,256.99	KHN87-30/1-H-213/5TC-PLR	\$5,256.99
	30	28.30	62	20.00	I	18490	1030	254/6TC	3	257	KAN87-30/1-H-254/6TC-PLL	\$5,256.99	KHN87-30/1-H-254/6TC-PLL	\$5,256.99
	30	28.30	62	20.00	I	18490	1030	254/6TC	3	257	KAN87-30/1-H-254/6TC-PLR	\$5,256.99	KHN87-30/1-H-254/6TC-PLR	\$5,256.99
	40	43.31	40	5.00	III	7070	3550	184TC	3	208	KAN87-40/1-H-184TC-PLL	\$5,256.99	KHN87-40/1-H-184TC-PLL	\$5,256.99
	40	43.31	40	5.00	III	7070	3550	184TC	3	208	KAN87-40/1-H-184TC-PLR	\$5,256.99	KHN87-40/1-H-184TC-PLR	\$5,256.99
	40	43.31	40	10.00	I	14150	2510	213/5TC	3	230	KAN87-40/1-H-213/5TC-PLL	\$5,256.99	KHN87-40/1-H-213/5TC-PLL	\$5,256.99
	40	43.31	40	10.00	I	14150	2510	213/5TC	3	230	KAN87-40/1-H-213/5TC-PLR	\$5,256.99	KHN87-40/1-H-213/5TC-PLR	\$5,256.99
	50	50.45	35	5.00	III	8240	3590	184TC	3	208	KAN87-50/1-H-184TC-PLL	\$5,256.99	KHN87-50/1-H-184TC-PLL	\$5,256.99
	50	50.45	35	5.00	III	8240	3590	184TC	3	208	KAN87-50/1-H-184TC-PLR	\$5,256.99	KHN87-50/1-H-184TC-PLR	\$5,256.99
50	50.45	35	10.00	I	16480	2380	213/5TC	3	230	KAN87-50/1-H-213/5TC-PLL	\$5,256.99	KHN87-50/1-H-213/5TC-PLL	\$5,256.99	
50	50.45	35	10.00	I	16480	2380	213/5TC	3	230	KAN87-50/1-H-213/5TC-PLR	\$5,256.99	KHN87-50/1-H-213/5TC-PLR	\$5,256.99	

Continued On Next Page

Section 3: Helical and Helical-Bevel Gear Reducers
KAN & KHN Series - Helical-Bevel Gear Reducers



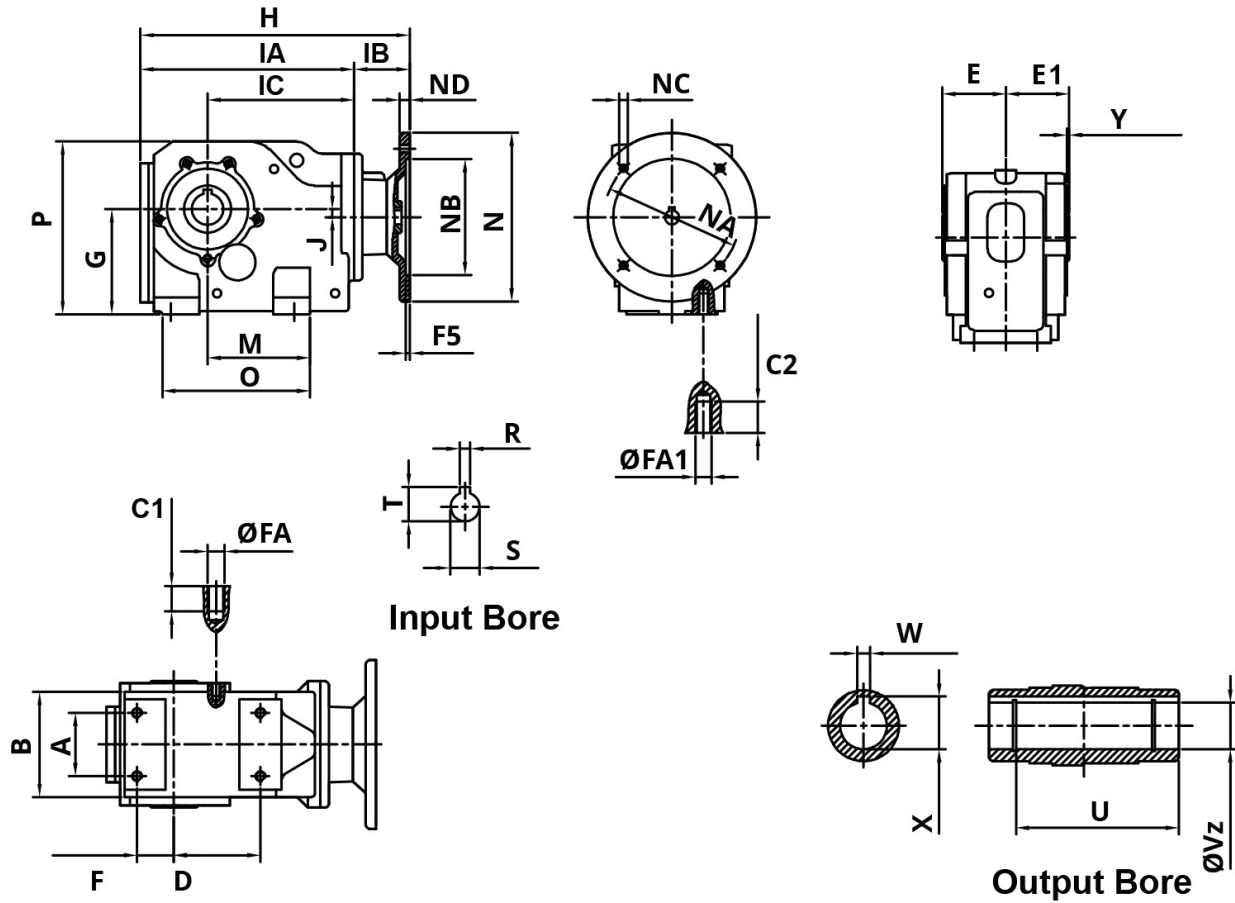
KAN & KHN Series - Helical Bevel Gear Reducers with Power Lock:
Product Overview (Continued)

Box Size	Nominal Ratio	Actual Ratio	Output RPM @ 1750 RPM Input	Input HP	S.C.	Output Torque (lbs. in.)	O.H.L. (lbs.)	Motor Frame	Stages	Approx. Weight (lbs.)	KAN Model Number	KAN List Price	KHN Model Number	KHN List Price
87	60	61.42	28	5.00	III	10030	3620	184TC	3	208	KAN87-60/1-H-184TC-PLL	\$5,256.99	KHN87-60/1-H-184TC-PLL	\$5,256.99
	60	61.42	28	5.00	III	10030	3620	184TC	3	208	KAN87-60/1-H-184TC-PLR	\$5,256.99	KHN87-60/1-H-184TC-PLR	\$5,256.99
	60	61.42	28	10.00	III	20060	2150	213/5TC	3	230	KAN87-60/1-H-213/5TC-PLL	\$5,256.99	KHN87-60/1-H-213/5TC-PLL	\$5,256.99
	60	61.42	28	10.00	III	20060	2150	213/5TC	3	230	KAN87-60/1-H-213/5TC-PLR	\$5,256.99	KHN87-60/1-H-213/5TC-PLR	\$5,256.99
	70	72.35	24	5.00	II	11810	3620	184TC	3	208	KAN87-70/1-H-184TC-PLL	\$5,256.99	KHN87-70/1-H-184TC-PLL	\$5,256.99
	70	72.35	24	5.00	II	11810	3620	184TC	3	208	KAN87-70/1-H-184TC-PLR	\$5,256.99	KHN87-70/1-H-184TC-PLR	\$5,256.99
	70	72.35	24	7.50	I	17720	2750	213TC	3	230	KAN87-70/1-H-213TC-PLL	\$5,256.99	KHN87-70/1-H-213TC-PLL	\$5,256.99
	70	72.35	24	7.50	I	17720	2750	213TC	3	230	KAN87-70/1-H-213TC-PLR	\$5,256.99	KHN87-70/1-H-213TC-PLR	\$5,256.99
	80	82.86	21	5.00	II	13530	3590	182/4TC	3	208	KAN87-80/1-H-182/4TC-PLL	\$5,256.99	KHN87-80/1-H-182/4TC-PLL	\$5,256.99
	80	82.86	21	5.00	II	13530	3590	182/4TC	3	208	KAN87-80/1-H-182/4TC-PLR	\$5,256.99	KHN87-80/1-H-182/4TC-PLR	\$5,256.99
97	7.5	8.31	211	20.00	III	5430	5020	254/6TC	3	393	KAN97-7.5/1-H-254/6TC-PLL	\$7,729.65	KHN97-7.5/1-H-254/6TC-PLL	\$7,729.65
	7.5	8.31	211	20.00	III	5430	5020	254/6TC	3	393	KAN97-7.5/1-H-254/6TC-PLR	\$7,729.65	KHN97-7.5/1-H-254/6TC-PLR	\$7,729.65
	7.5	8.31	211	30.00	III	8140	4670	284/6TC	3	402	KAN97-7.5/1-H-284/6TC-PLL	\$7,729.65	KHN97-7.5/1-H-284/6TC-PLL	\$7,729.65
	7.5	8.31	211	30.00	III	8140	4670	284/6TC	3	402	KAN97-7.5/1-H-284/6TC-PLR	\$7,729.65	KHN97-7.5/1-H-284/6TC-PLR	\$7,729.65
	10	10.16	172	10.00	III	3320	5660	213/5TC	3	362	KAN97-10/1-H-213/5TC-PLL	\$7,729.65	KHN97-10/1-H-213/5TC-PLL	\$7,729.65
	10	10.16	172	10.00	III	3320	5660	213/5TC	3	362	KAN97-10/1-H-213/5TC-PLR	\$7,729.65	KHN97-10/1-H-213/5TC-PLR	\$7,729.65
	10	10.16	172	20.00	III	6630	5220	254/6TC	3	393	KAN97-10/1-H-254/6TC-PLL	\$7,729.65	KHN97-10/1-H-254/6TC-PLL	\$7,729.65
	10	10.16	172	20.00	III	6630	5220	254/6TC	3	393	KAN97-10/1-H-254/6TC-PLR	\$7,729.65	KHN97-10/1-H-254/6TC-PLR	\$7,729.65
	10	10.16	172	30.00	III	9950	4780	284/6TC	3	402	KAN97-10/1-H-284/6TC-PLL	\$7,729.65	KHN97-10/1-H-284/6TC-PLL	\$7,729.65
	10	10.16	172	30.00	III	9950	4780	284/6TC	3	402	KAN97-10/1-H-284/6TC-PLR	\$7,729.65	KHN97-10/1-H-284/6TC-PLR	\$7,729.65
	15	14.11	124	10.00	III	4610	6190	213/5TC	3	362	KAN97-15/1-H-213/5TC-PLL	\$7,729.65	KHN97-15/1-H-213/5TC-PLL	\$7,729.65
	15	14.11	124	10.00	III	4610	6190	213/5TC	3	362	KAN97-15/1-H-213/5TC-PLR	\$7,729.65	KHN97-15/1-H-213/5TC-PLR	\$7,729.65
	15	14.11	124	20.00	III	9210	5640	254/6TC	3	393	KAN97-15/1-H-254/6TC-PLL	\$7,729.65	KHN97-15/1-H-254/6TC-PLL	\$7,729.65
	15	14.11	124	20.00	III	9210	5640	254/6TC	3	393	KAN97-15/1-H-254/6TC-PLR	\$7,729.65	KHN97-15/1-H-254/6TC-PLR	\$7,729.65
	15	14.11	124	30.00	III	13820	5100	284/6TC	3	402	KAN97-15/1-H-284/6TC-PLL	\$7,729.65	KHN97-15/1-H-284/6TC-PLL	\$7,729.65
	15	14.11	124	30.00	III	13820	5100	284/6TC	3	402	KAN97-15/1-H-284/6TC-PLR	\$7,729.65	KHN97-15/1-H-284/6TC-PLR	\$7,729.65
	20	21.33	82	10.00	III	6970	6800	213/5TC	3	362	KAN97-20/1-H-213/5TC-PLL	\$7,729.65	KHN97-20/1-H-213/5TC-PLL	\$7,729.65
	20	21.33	82	10.00	III	6970	6800	213/5TC	3	362	KAN97-20/1-H-213/5TC-PLR	\$7,729.65	KHN97-20/1-H-213/5TC-PLR	\$7,729.65
	20	21.33	82	20.00	III	13930	5970	254/6TC	3	393	KAN97-20/1-H-254/6TC-PLL	\$7,729.65	KHN97-20/1-H-254/6TC-PLL	\$7,729.65
	20	21.33	82	20.00	III	13930	5970	254/6TC	3	393	KAN97-20/1-H-254/6TC-PLR	\$7,729.65	KHN97-20/1-H-254/6TC-PLR	\$7,729.65
	20	21.33	82	30.00	II	20900	5150	284/6TC	3	402	KAN97-20/1-H-284/6TC-PLL	\$7,729.65	KHN97-20/1-H-284/6TC-PLL	\$7,729.65
	20	21.33	82	30.00	II	20900	5150	284/6TC	3	402	KAN97-20/1-H-284/6TC-PLR	\$7,729.65	KHN97-20/1-H-284/6TC-PLR	\$7,729.65
	30	31.19	56	20.00	I	20370	5850	254/6TC	3	393	KAN97-30/1-H-254/6TC-PLL	\$7,729.65	KHN97-30/1-H-254/6TC-PLL	\$7,729.65
	30	31.19	56	20.00	I	20370	5850	254/6TC	3	393	KAN97-30/1-H-254/6TC-PLR	\$7,729.65	KHN97-30/1-H-254/6TC-PLR	\$7,729.65
	30	31.19	56	25.00	I	25470	5170	284/6TC	3	402	KAN97-30/1-H-284/6TC-PLL	\$7,729.65	KHN97-30/1-H-284/6TC-PLL	\$7,729.65
	30	31.19	56	25.00	I	25470	5170	284/6TC	3	402	KAN97-30/1-H-284/6TC-PLR	\$7,729.65	KHN97-30/1-H-284/6TC-PLR	\$7,729.65
	40	38.12	46	10.00	III	12450	7420	213/5TC	3	362	KAN97-40/1-H-213/5TC-PLL	\$7,729.65	KHN97-40/1-H-213/5TC-PLL	\$7,729.65
	40	38.12	46	10.00	III	12450	7420	213/5TC	3	362	KAN97-40/1-H-213/5TC-PLR	\$7,729.65	KHN97-40/1-H-213/5TC-PLR	\$7,729.65
	40	38.12	46	20.00	I	24900	6600	254/6TC	3	393	KAN97-40/1-H-254/6TC-PLL	\$7,729.65	KHN97-40/1-H-254/6TC-PLL	\$7,729.65
	40	38.12	46	20.00	I	24900	6600	254/6TC	3	393	KAN97-40/1-H-254/6TC-PLR	\$7,729.65	KHN97-40/1-H-254/6TC-PLR	\$7,729.65
	50	47.16	37	10.00	III	15400	7630	213/5TC	3	362	KAN97-50/1-H-213/5TC-PLL	\$7,729.65	KHN97-50/1-H-213/5TC-PLL	\$7,729.65
	50	47.16	37	10.00	III	15400	7630	213/5TC	3	362	KAN97-50/1-H-213/5TC-PLR	\$7,729.65	KHN97-50/1-H-213/5TC-PLR	\$7,729.65
	50	47.16	37	15.00	III	23110	6610	254/6TC	3	393	KAN97-50/1-H-254/6TC-PLL	\$7,729.65	KHN97-50/1-H-254/6TC-PLL	\$7,729.65
	50	47.16	37	15.00	III	23110	6610	254/6TC	3	393	KAN97-50/1-H-254/6TC-PLR	\$7,729.65	KHN97-50/1-H-254/6TC-PLR	\$7,729.65
	65	64.72	27	10.00	II	21140	8140	213/5TC	3	362	KAN97-65/1-H-213/5TC-PLL	\$7,729.65	KHN97-65/1-H-213/5TC-PLL	\$7,729.65
	65	64.72	27	10.00	II	21140	8140	213/5TC	3	362	KAN97-65/1-H-213/5TC-PLR	\$7,729.65	KHN97-65/1-H-213/5TC-PLR	\$7,729.65
	65	64.72	27	15.00	I	31710	6890	254TC	3	393	KAN97-65/1-H-254TC-PLL	\$7,729.65	KHN97-65/1-H-254TC-PLL	\$7,729.65
	65	64.72	27	15.00	I	31710	6890	254TC	3	393	KAN97-65/1-H-254TC-PLR	\$7,729.65	KHN97-65/1-H-254TC-PLR	\$7,729.65
	70	71.78	24	10.00	II	23450	8200	213/5TC	3	362	KAN97-70/1-H-213/5TC-PLL	\$7,729.65	KHN97-70/1-H-213/5TC-PLL	\$7,729.65
	70	71.78	24	10.00	II	23450	8200	213/5TC	3	362	KAN97-70/1-H-213/5TC-PLR	\$7,729.65	KHN97-70/1-H-213/5TC-PLR	\$7,729.65
80	80.07	22	10.00	I	26150	8240	213/5TC	3	362	KAN97-80/1-H-213/5TC-PLL	\$7,729.65	KHN97-80/1-H-213/5TC-PLL	\$7,729.65	
80	80.07	22	10.00	I	26150	8240	213/5TC	3	362	KAN97-80/1-H-213/5TC-PLR	\$7,729.65	KHN97-80/1-H-213/5TC-PLR	\$7,729.65	
100	101.37	17	10.00	I	33110	8260	213/5TC	3	362	KAN97-100/1-H-213/5TC-PLL	\$7,729.65	KHN97-100/1-H-213/5TC-PLL	\$7,729.65	
100	101.37	17	10.00	I	33110	8260	213/5TC	3	362	KAN97-100/1-H-213/5TC-PLR	\$7,729.65	KHN97-100/1-H-213/5TC-PLR	\$7,729.65	
120	119.87	15	7.50	I	29360	9330	213TC	3	362	KAN97-120/1-H-213TC-PLL	\$7,729.65	KHN97-120/1-H-213TC-PLL	\$7,729.65	
120	119.87	15	7.50	I	29360	9330	213TC	3	362	KAN97-120/1-H-213TC-PLR	\$7,729.65	KHN97-120/1-H-213TC-PLR	\$7,729.65	

3
KAN & KHN SERIES - HELICAL BEVEL GEAR REDUCERS

**KAN Series - Helical Bevel Gear Reducers:
Dimensions**

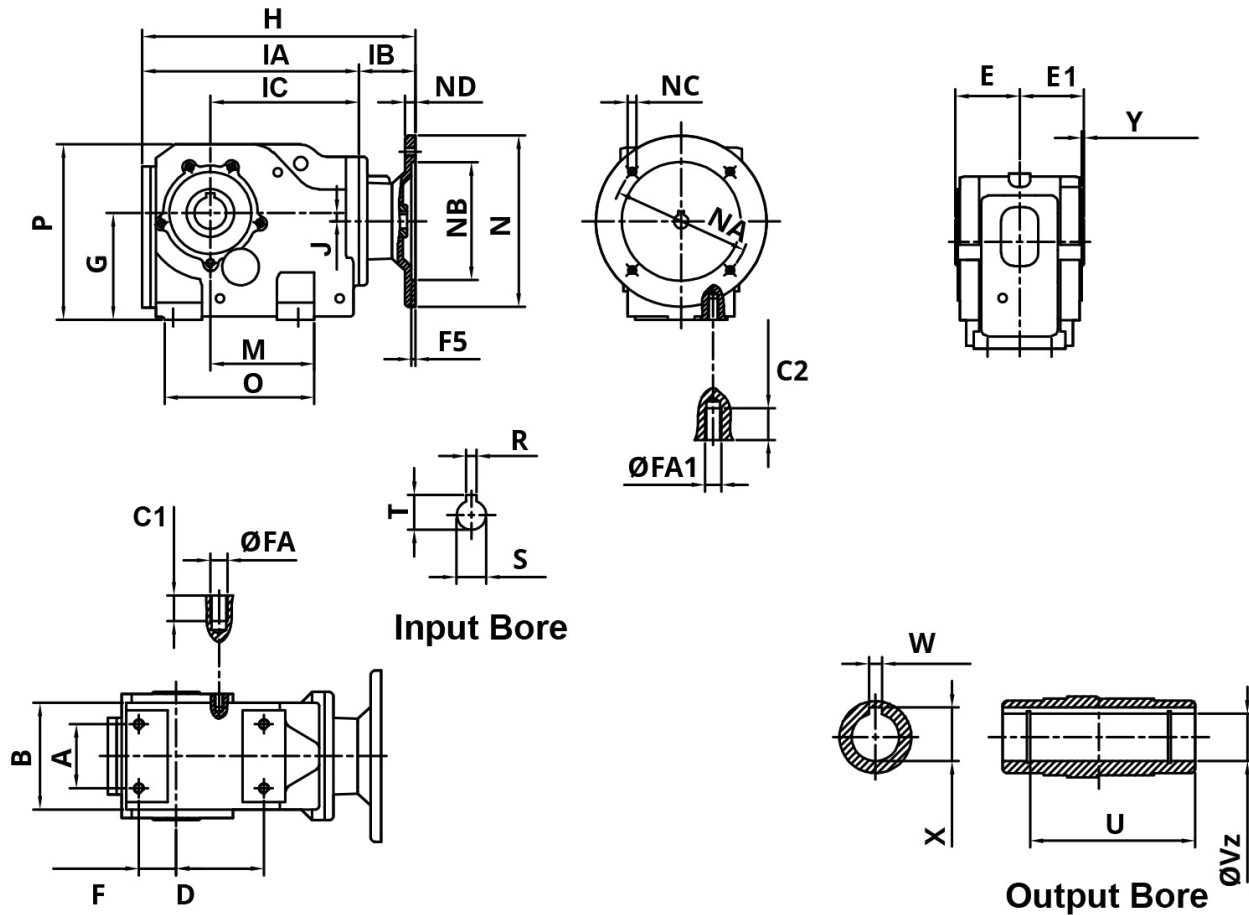
3
KAN & KHN SERIES - HELICAL
BEVEL GEAR REDUCERS



All listed dimensions in inches																					
Box Size	NEMA Frame	A	B	C1	C2	D	E	E1	F	FA	FA1	F5	G	H	IA	IB	IC	J	M	O	P
37	56C	2.36	3.94	0.47	0.79	3.23	2.36	2.36	1.38	M8	M10	0.08	3.94	10.49	8.10	2.40	5.47	0.31	3.82	5.51	6.46
	143/5TC	2.36	3.94	0.47	0.79	3.23	2.36	2.36	1.38	M8	M10	0.08	3.94	10.89	8.10	2.80	5.47	0.31	3.82	5.51	6.46
47	56C	2.76	4.17	0.47	0.79	3.94	2.95	2.95	1.57	M8	M10	0.12	4.41	11.68	9.41	2.4	6.54	0.21	4.41	6.65	7.32
	143/5TC	2.76	4.17	0.47	0.79	3.94	2.95	2.95	1.57	M8	M10	0.12	4.41	12.06	9.41	2.8	6.54	0.21	4.41	6.65	7.32
	182/4TC	2.76	4.17	0.47	0.79	3.94	2.95	2.95	1.57	M8	M10	0.12	4.41	12.79	9.41	3.35	6.54	0.21	4.41	6.65	7.32
57	56C	3.46	4.8	0.79	0.98	4.13	3.27	3.27	1.85	M12	M12	0.16	5.2	12.11	10.16	2.15	6.81	0.57	5.2	7.52	8.54
	143/5TC	3.46	4.8	0.79	0.98	4.13	3.27	3.27	1.85	M12	M12	0.20	5.2	12.5	10.16	2.54	6.81	0.57	5.2	7.52	8.54
	182/4TC	3.46	4.8	0.79	0.98	4.13	3.27	3.27	1.85	M12	M12	0.20	5.2	13.23	10.16	3.27	6.81	0.57	5.2	7.52	8.54
67	56C	3.46	5.28	0.79	0.98	4.33	3.54	3.54	1.65	M12	M12	0.14	5.51	12.89	10.75	2.15	7.05	0.75	4.72	6.89	8.98
	143/5TC	3.46	5.28	0.79	0.98	4.33	3.54	3.54	1.65	M12	M12	0.14	5.51	13.29	10.75	2.54	7.05	0.75	4.72	6.89	8.98
	182/4TC	3.46	5.28	0.79	0.98	4.33	3.54	3.54	1.65	M12	M12	0.14	5.51	14.02	10.75	3.27	7.05	0.75	4.72	6.89	8.98
77	143/5TC	4.02	6.46	0.98	1.26	4.80	4.13	4.13	1.89	M12	M16	0.16	7.09	15.06	12.74	2.32	7.95	1.47	5.91	8.66	11.54
	182/4TC	4.02	6.46	0.98	1.26	4.80	4.13	4.13	1.89	M12	M16	0.20	7.09	15.79	12.74	3.05	7.95	1.47	5.91	8.66	11.54
	213/5TC	4.02	6.46	0.98	1.26	4.80	4.13	4.13	1.89	M12	M16	0.20	7.09	18.05	12.74	5.31	7.95	1.47	5.91	8.66	11.54
87	182/4TC	4.65	5.98	1.02	1.26	6.30	4.72	4.72	2.56	M16	M16	0.20	8.35	17.99	15.32	2.68	10.12	1.24	7.48	10.79	13.39
	213/5TC	4.65	5.98	1.02	1.26	6.30	4.72	4.72	2.56	M16	M16	0.20	8.35	20.26	15.32	5.31	10.12	1.24	7.48	10.79	13.39
	254/6TC	4.65	5.98	1.02	1.26	6.30	4.72	4.72	2.56	M16	M16	0.20	8.35	21.24	15.32	5.93	10.12	1.24	7.48	10.79	13.39
97	213/5TC	6.30	9.21	1.02	1.42	6.50	5.91	5.91	3.27	M16	M20	0.20	10.43	22.64	17.64	4.63	10.91	1.82	8.07	12.20	16.42
	254/6TC	6.30	9.21	1.02	1.42	6.50	5.91	5.91	3.27	M16	M20	0.20	10.43	23.25	17.64	5.61	10.91	1.82	8.07	12.20	16.42
	284/6TC	6.30	9.21	1.02	1.42	6.50	5.91	5.91	3.27	M16	M20	0.20	10.43	23.60	17.64	5.96	10.91	1.82	8.07	12.20	16.42

Dimensions shown in this catalog are for general use only.
For an exact drawing on a specific rating, please contact our sales office.

**KAN Series - Helical Bevel Gear Reducers:
Dimensions (Continued)**

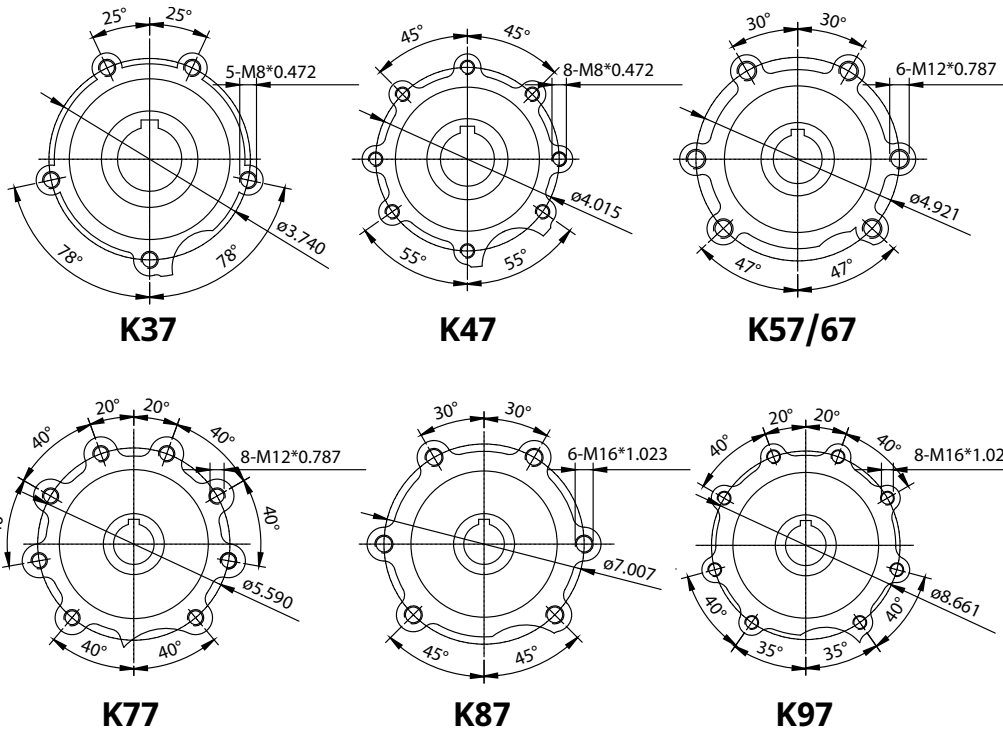


All listed dimensions in inches

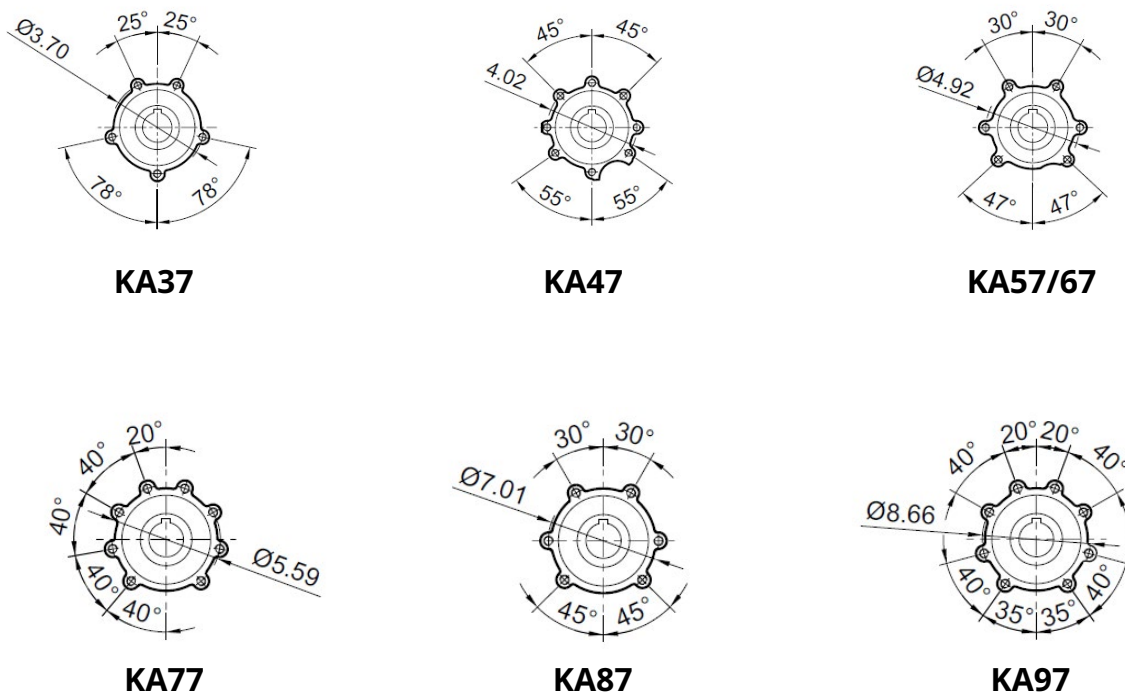
Box Size	NEMA Frame	FLANGE (inches)					INPUT BORE (inches)			OUTPUT BORE (inches)					BORE TOLERANCE
		N	NA	NB	NC	ND	R	S	T	U	V	W	X	Y	Z
37	56C	6.50	5.875	4.50	0.41	0.39	0.188	0.625	0.71	4.13	1.25	0.25	1.37	0.08	+0.0018/+0.0008
	143/5TC	6.50	5.875	4.50	0.41	0.47	0.188	0.875	0.97	4.13	1.25	0.25	1.37	0.08	+0.0018/+0.0008
47	56C	6.50	5.875	4.50	0.41	0.39	0.188	0.625	0.71	5.20	1.375	0.31	1.52	0.12	+0.0018/+0.0008
	143/5TC	6.50	5.875	4.50	0.41	0.47	0.188	0.875	0.97	5.20	1.375	0.31	1.52	0.12	+0.0018/+0.0008
	182/4TC	9.00	7.250	8.50	0.55	0.67	0.250	1.125	1.24	5.20	1.375	0.31	1.52	0.12	+0.0018/+0.0008
57	56C	6.50	5.875	4.50	4x0.41	0.39	0.188	0.625	0.71	6.54	1.500	0.38	1.67	0.12	+0.0018/+0.0008
	143/5TC	6.50	5.875	4.50	4x0.41	0.47	0.188	0.875	0.96	6.54	1.500	0.38	1.67	0.12	+0.0018/+0.0008
	182/4TC	9.00	7.250	8.50	4x0.55	0.67	0.250	1.125	1.24	6.54	1.500	0.38	1.67	0.12	+0.0018/+0.0008
67	56C	6.50	5.875	4.50	0.41	0.39	0.188	0.625	0.71	6.14	1.50	0.38	1.67	0.14	+0.0018/+0.0008
	143/5TC	6.50	5.875	4.50	0.41	0.47	0.188	0.875	0.96	6.14	1.50	0.38	1.67	0.14	+0.0018/+0.0008
	182/4TC	9.00	7.250	8.50	0.55	0.67	0.250	1.125	1.24	6.14	1.50	0.38	1.67	0.14	+0.0018/+0.0008
77	143/5TC	6.50	5.875	4.50	0.41	0.47	0.188	0.875	0.96	7.20	2.00	0.50	2.22	0.16	+0.002/+0.0008
	182/4TC	9.00	7.250	8.50	0.55	0.67	0.250	1.125	1.24	7.20	2.00	0.50	2.22	0.16	+0.002/+0.0008
	213/5TC	9.00	7.250	8.50	0.55	0.67	0.312	1.375	1.52	7.20	2.00	0.50	2.22	0.16	+0.002/+0.0008
87	182/4TC	9.00	7.250	8.50	0.55	0.67	0.250	1.125	1.24	8.27	2.375	0.63	2.65	0.16	+0.002/+0.0008
	213/5TC	9.00	7.250	8.50	0.55	0.67	0.312	1.375	1.52	8.27	2.375	0.63	2.65	0.16	+0.002/+0.0008
	254/6TC	10.00	7.250	8.50	0.55	0.79	0.375	1.625	1.80	8.27	2.375	0.63	2.65	0.16	+0.002/+0.0008
97	213/5TC	9.00	7.250	8.50	0.55	0.67	0.312	1.375	1.52	10.63	2.75	0.63	3.03	0.16	+0.002/+0.0008
	254/6TC	10.00	7.250	8.50	0.55	0.79	0.375	1.625	1.80	10.63	2.75	0.63	3.03	0.16	+0.002/+0.0008
	284/6TC	11.26	9.000	10.50	0.59	0.79	0.500	1.875	2.10	10.63	2.75	0.63	3.03	0.16	+0.002/+0.0008

Dimensions shown in this catalog are for general use only.
For an exact drawing on a specific rating, please contact our sales office.

**KAN Series - Helical Bevel Gear Reducers:
 Integrated Output Mounting Dimensions**

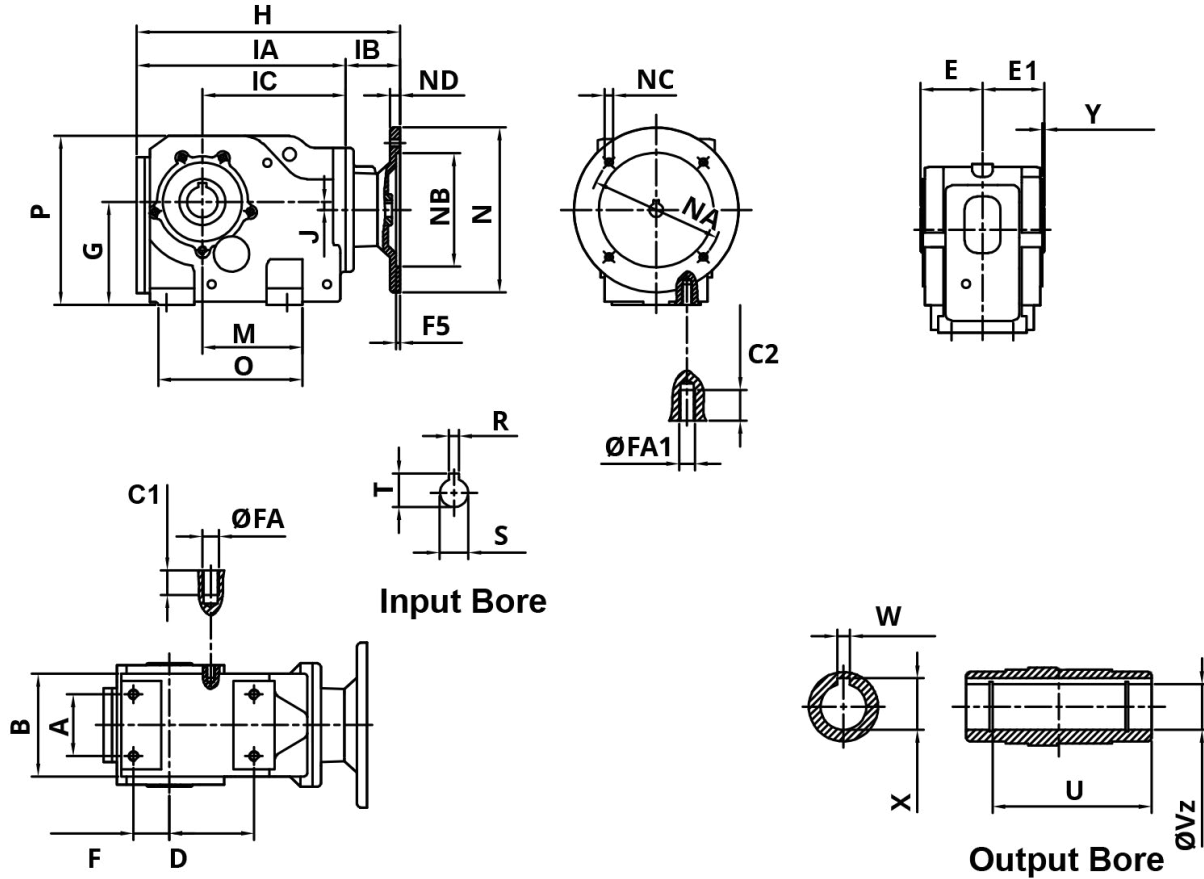


**KAN Series Integrated Output Mounting Dimensions
 Competitor Dimensional Comparison - SEW Eurodrive**



3
 KAN & KHN SERIES - HELICAL
 BEVEL GEAR REDUCERS

KAN Series - Helical Bevel Gear Reducers:
Competitor Dimensional Comparison - SEW Eurodrive (Continued)



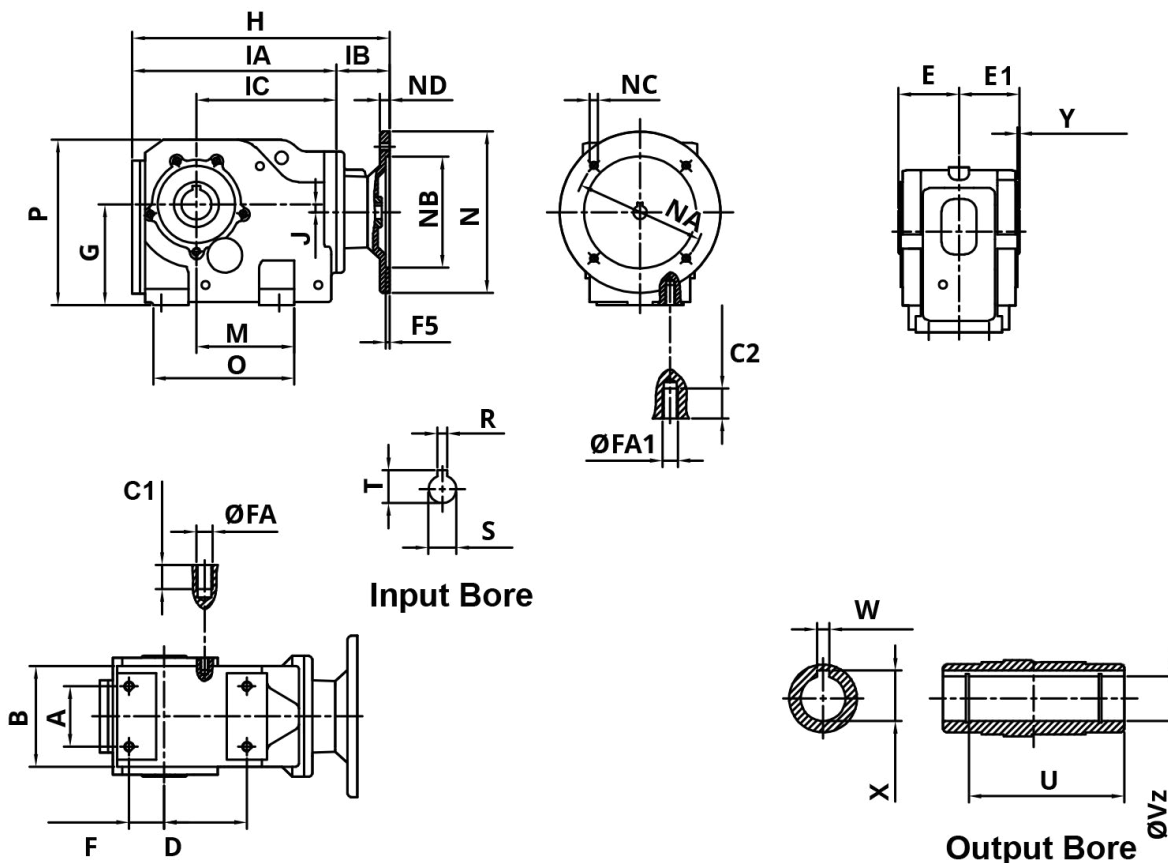
3
KAN & KHN SERIES - HELICAL
BEVEL GEAR REDUCERS

All listed dimensions in inches																					
Box Size	NEMA Frame	A	B	C1	C2	D	E	E1	F	FA	FA1	F5	G	H	IA	IB	IC	J	M	O	P
37	56C	2.36	3.94	0.47	0.79	3.23	2.48	2.36	1.38	M8	M10	0.10	3.94	11.95	8.27	3.68	5.47	0.33	3.82	5.79	6.46
	143/5TC	2.36	3.94	0.47	0.79	3.23	2.48	2.36	1.38	M8	M10	0.10	3.94	12.88	8.27	4.61	5.47	0.33	3.82	5.79	6.46
47	56C	2.76	4.33	0.47	0.79	3.94	3.07	2.95	1.57	M8	M10	0.12	4.41	13.00	9.57	3.43	6.54	0.33	4.53	6.69	7.28
	143/5TC	2.76	4.33	0.47	0.79	3.94	3.07	2.95	1.57	M8	M10	0.12	4.41	13.92	9.57	4.35	6.54	0.33	4.53	6.69	7.28
	182/4TC	2.76	4.33	0.47	0.79	3.94	3.07	2.95	1.57	M8	M10	0.12	4.41	15.38	9.57	5.81	6.54	0.33	4.53	6.69	7.28
57	56C	3.46	4.8	0.79	0.98	4.13	3.39	3.27	1.85	M12	M12	0.2	5.2	13.39	10.59	2.8	6.81	0.52	4.72	6.77	7.48
	143/5TC	3.46	4.8	0.79	0.98	4.13	3.39	3.27	1.85	M12	M12	0.2	5.2	14.31	10.59	3.72	6.81	0.52	4.72	6.77	7.48
	182/4TC	3.46	4.8	0.79	0.98	4.13	3.39	3.27	1.85	M12	M12	0.2	5.2	15.77	10.59	5.18	6.81	0.52	4.72	6.77	7.48
67	56C	3.46	5.12	0.79	0.98	4.33	3.70	3.54	1.65	M12	M12	0.14	5.51	14.22	10.79	3.43	7.05	0.79	4.92	7.17	8.90
	143/5TC	3.46	5.12	0.79	0.98	4.33	3.70	3.54	1.65	M12	M12	0.14	5.51	15.14	10.79	4.35	7.05	0.79	4.92	7.17	8.90
	182/4TC	3.46	5.12	0.79	0.98	4.33	3.70	3.54	1.65	M12	M12	0.14	5.51	16.60	10.79	5.81	7.05	0.79	4.92	7.17	8.90
77	143/5TC	4.02	6.06	0.79	1.26	4.80	4.25	4.13	1.89	M12	M16	0.18	7.09	16.35	12.28	4.07	7.95	1.23	5.47	8.03	11.26
	182/4TC	4.02	6.06	0.79	1.26	4.80	4.25	4.13	1.89	M12	M16	0.20	7.09	17.77	12.28	5.49	7.95	1.23	5.47	8.03	11.26
	213/5TC	4.02	6.06	0.79	1.26	4.80	4.25	4.13	1.89	M12	M16	0.20	7.09	19.70	12.28	7.42	7.95	1.23	5.47	10.79	11.26
87	182/4TC	4.65	6.69	1.02	1.26	6.30	4.84	4.72	2.56	M16	M16	0.20	8.35	20.65	15.35	5.3	10.12	1.02	7.48	11.02	13.31
	213/5TC	4.65	6.69	1.02	1.26	6.30	4.84	4.72	2.56	M16	M16	0.20	8.35	22.57	15.35	7.22	10.12	1.02	7.48	11.02	13.31
	254/6TC	4.65	6.69	1.02	1.26	6.30	4.84	4.72	2.56	M16	M16	0.20	8.35	24.56	15.35	9.21	10.12	1.02	7.48	11.02	13.31
97	213/5TC	6.30	8.90	1.02	1.42	6.50	6.02	5.91	3.27	M16	M20	0.20	10.44	24.16	17.13	7.03	10.91	1.27	7.48	11.73	16.30
	254/6TC	6.30	8.90	1.02	1.42	6.50	6.02	5.91	3.27	M16	M20	0.20	10.44	26.15	17.13	9.02	10.91	1.27	7.48	11.73	16.30
	284/6TC	6.30	8.90	1.02	1.42	6.50	6.02	5.91	3.27	M16	M20	0.20	10.44	26.42	17.13	9.29	10.91	1.27	7.48	11.73	16.30

SEW Eurodrive dimensional data was derived from their Catalog 9PD0016/0300.
Blue shaded cells indicate a dimensional difference. All dimensions are in inches.

KAN Series - Helical Bevel Gear Reducers:
Competitor Dimensional Comparison - SEW Eurodrive (Continued)

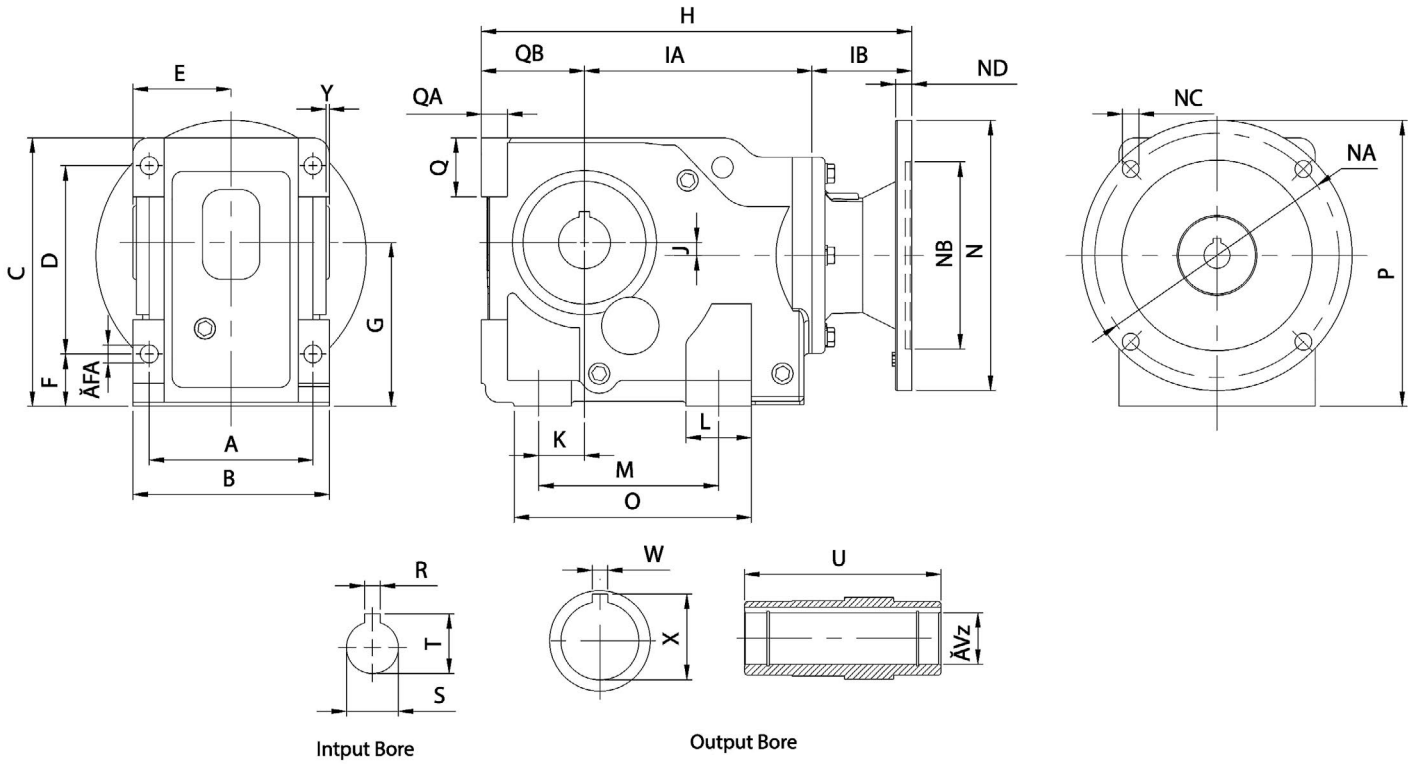
3
KAN & KHN SERIES - HELICAL BEVEL GEAR REDUCERS



All listed dimensions in inches															
Box Size	NEMA Frame	FLANGE (inches)					INPUT BORE (inches)			OUTPUT BORE (inches)					BORE TOLERANCE
		N	NA	NB	NC	ND	R	S	T	U	V	W	X	Y	Z
37	56C	6.69	5.875	4.50	0.41	0.43	0.188	0.625	0.71	4.13	1.25	0.25	1.37	0.10	+ 0.001 / -0.0
	143/5TC	6.69	5.875	4.50	0.41	0.47	0.188	0.875	0.98	4.13	1.25	0.25	1.37	0.10	+ 0.001 / -0.0
47	56C	6.69	5.875	4.50	0.41	0.43	0.188	0.625	0.71	5.20	1.375	0.31	1.52	0.12	+ 0.001 / -0.0
	143/5TC	6.69	5.875	4.50	0.41	0.47	0.188	0.875	0.98	5.20	1.375	0.31	1.52	0.12	+ 0.001 / -0.0
	182/4TC	8.98	7.250	8.50	0.59	0.39	0.250	1.125	1.24	5.20	1.375	0.31	1.52	0.12	+ 0.001 / -0.0
57	56C	6.69	5.875	4.50	0.41	0.43	0.188	0.625	0.71	5.59	1.50	0.38	1.67	0.12	+ 0.001 / -0.0
	143/5TC	6.69	5.875	4.50	0.41	0.47	0.188	0.875	0.98	5.59	1.50	0.38	1.67	0.12	+ 0.001 / -0.0
	182/4TC	8.98	7.250	8.50	0.59	0.39	0.250	1.125	1.24	5.59	1.50	0.38	1.67	0.12	+ 0.001 / -0.0
67	56C	6.69	5.875	4.50	0.41	0.43	0.188	0.625	0.71	6.14	1.50	0.38	1.67	0.14	+ 0.001 / -0.0
	143/5TC	6.69	5.875	4.50	0.41	0.47	0.188	0.875	0.98	6.14	1.50	0.38	1.67	0.14	+ 0.001 / -0.0
	182/4TC	8.98	7.250	8.50	0.59	0.39	0.250	1.125	1.24	6.14	1.50	0.38	1.67	0.14	+ 0.001 / -0.0
77	143/5TC	6.69	5.875	4.50	0.41	0.47	0.188	0.875	0.98	7.20	2.00	0.50	2.22	0.16	+ 0.001 / -0.0
	182/4TC	6.69	7.250	8.50	0.59	0.39	0.250	1.125	1.24	7.20	2.00	0.50	2.22	0.16	+ 0.001 / -0.0
	213/5TC	8.98	7.250	8.50	0.59	0.43	0.312	1.375	1.52	7.20	2.00	0.50	2.22	0.16	+ 0.001 / -0.0
87	182/4TC	8.98	7.250	8.50	0.59	0.39	0.250	1.125	1.24	8.27	2.375	0.63	2.65	0.16	+ 0.001 / -0.0
	213/5TC	8.98	7.250	8.50	0.59	0.43	0.312	1.375	1.52	8.27	2.375	0.63	2.65	0.16	+ 0.001 / -0.0
	254/6TC	8.98	7.250	8.50	0.59	0.47	0.375	1.625	1.80	8.27	2.375	0.63	2.65	0.16	+ 0.001 / -0.0
97	213/5TC	8.98	7.250	8.50	0.59	0.43	0.312	1.375	1.52	10.63	2.75	0.63	3.03	0.16	+ 0.001 / -0.0
	254/6TC	8.98	7.250	8.50	0.59	0.47	0.375	1.625	1.80	10.63	2.75	0.63	3.03	0.16	+ 0.001 / -0.0
	284/6TC	11.26	9.000	10.50	0.59	0.79	0.500	1.875	2.10	10.63	2.75	0.63	3.03	0.16	+ 0.001 / -0.0

SEW Eurodrive dimensional data was derived from their Catalog 9PD0016/0300. Blue shaded cells indicate a dimensional difference. All dimensions are in inches.

KHN Series - Helical Bevel Gear Reducers:
Dimensions



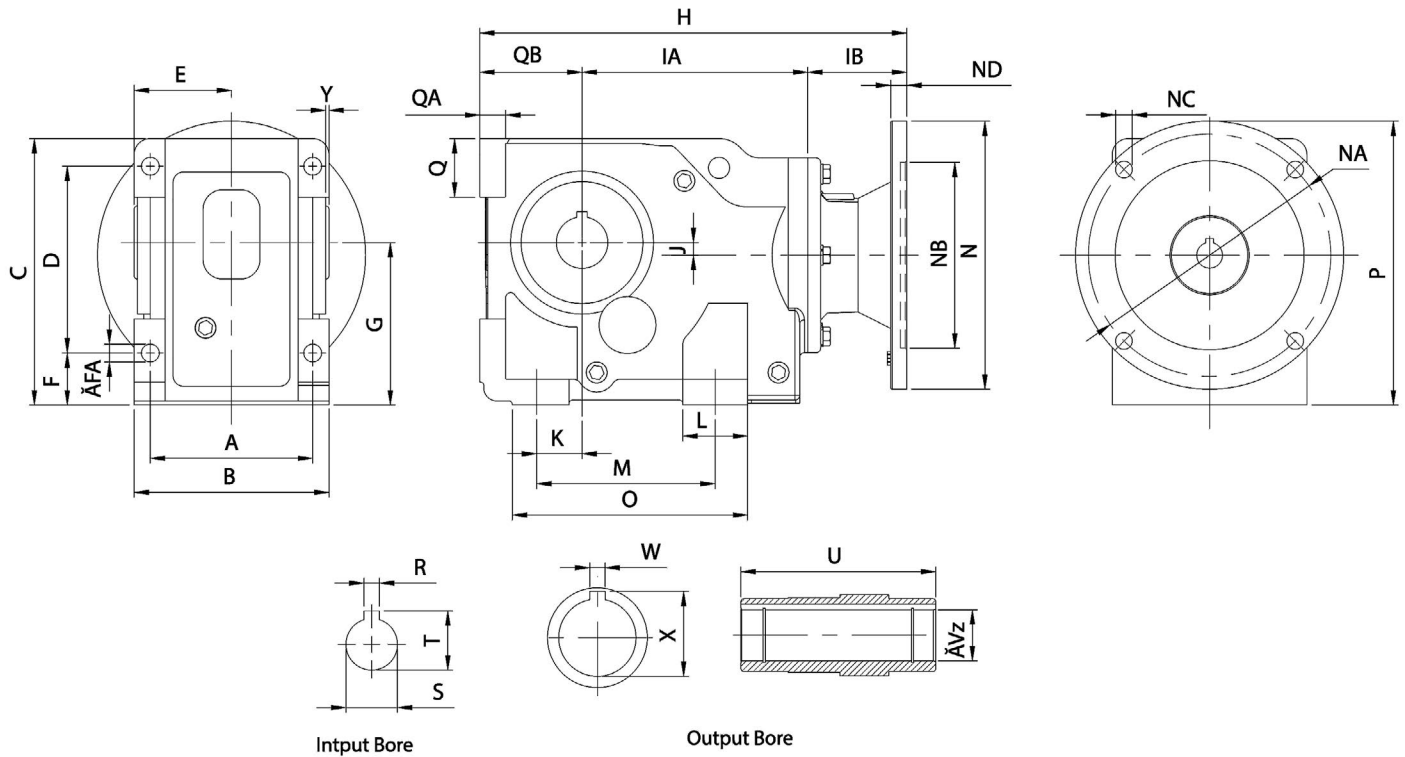
3
KAN & KHN SERIES - HELICAL BEVEL GEAR REDUCERS

All listed dimensions in inches																		
Box Size	NEMA Frame	A	B	C	D	E	F	FA	G	H	IA	IB	J	K	L	M	O	P
37	56C	3.94	4.72	6.46	4.53	2.36	1.26	0.43	3.94	10.35	5.47	2.40	0.31	1.10	1.57	4.33	5.71	6.88
	143/5TC	3.94	4.72	6.46	4.53	2.36	1.26	0.43	3.94	10.75	5.47	2.80	0.31	1.10	1.57	4.33	5.71	6.88
47	56C	4.72	5.71	7.32	5.12	2.95	1.46	0.43	4.41	11.56	6.54	2.22	0.20	1.38	1.52	5.12	6.65	7.46
	143/5TC	4.72	5.71	7.32	5.12	2.95	1.46	0.43	4.41	11.95	6.54	2.62	0.20	1.38	1.52	5.12	6.65	7.46
	182/4TC	4.72	5.71	7.32	5.12	2.95	1.46	0.43	4.41	12.68	6.54	3.35	0.20	1.38	1.52	5.12	6.65	8.71
57	56C	5.12	6.18	8.54	5.91	3.15	1.79	0.53	5.20	12.11	6.81	2.15	0.57	1.18	2.04	5.12	7.56	7.87
	143/5TC	5.12	6.18	8.54	5.91	3.15	1.79	0.53	5.20	12.5	6.81	2.54	0.57	1.18	2.04	5.12	7.56	7.87
	182/4TC	5.12	6.18	8.54	5.91	3.15	1.79	0.53	5.20	13.23	6.81	3.27	0.57	1.18	2.04	5.12	7.56	9.13
67	56C	5.51	6.69	8.98	6.30	3.54	1.77	0.53	5.51	12.74	7.05	2.15	0.75	1.18	1.77	4.72	6.69	8.01
	143/5TC	5.51	6.69	8.98	6.30	3.54	1.77	0.53	5.51	13.13	7.05	2.54	0.75	1.18	1.77	4.72	6.69	8.01
	182/4TC	5.51	6.69	8.98	6.30	3.54	1.77	0.53	5.51	13.86	7.05	3.27	0.75	1.18	1.77	4.72	6.69	8.26
77	143/5TC	6.50	7.87	11.54	7.87	4.13	2.17	0.69	7.09	14.69	7.95	2.32	1.47	1.57	2.56	5.91	8.66	8.87
	182/4TC	6.50	7.87	11.54	7.87	4.13	2.17	0.69	7.09	15.41	7.95	3.05	1.47	1.57	2.56	5.91	8.66	8.87
	213/5TC	6.50	7.87	11.54	7.87	4.13	2.17	0.69	7.09	17.68	7.95	5.31	1.47	1.57	2.56	5.91	8.66	10.12
87	182/4TC	7.09	8.82	13.39	9.17	4.72	2.76	0.87	8.34	17.99	10.12	2.68	1.24	2.17	3.39	7.09	11.02	11.61
	213/5TC	7.09	8.82	13.39	9.17	4.72	2.76	0.87	8.34	20.26	10.12	4.94	1.24	2.17	3.39	7.09	11.02	11.61
	254/6TC	7.09	8.82	13.39	9.17	4.72	2.76	0.87	8.34	21.24	10.12	5.93	1.24	2.17	3.39	7.09	11.02	12.11
97	213/5TC	9.45	11.42	16.42	11.61	5.91	2.95	1.02	10.43	21.83	10.91	4.63	1.82	2.95	2.99	9.45	12.20	13.11
	254/6TC	9.45	11.42	16.42	11.61	5.91	2.95	1.02	10.43	22.81	10.91	5.61	1.82	2.95	2.99	9.45	12.20	13.62
	284/6TC	9.45	11.42	16.42	11.61	5.91	2.95	1.02	10.43	23.17	10.91	5.96	1.82	2.95	2.99	9.45	12.20	14.52

Dimensions shown in this catalog are for general use only.
For an exact drawing on a specific rating, please contact our sales office.

**KHN Series - Helical Bevel Gear Reducers:
Dimensions (Continued)**

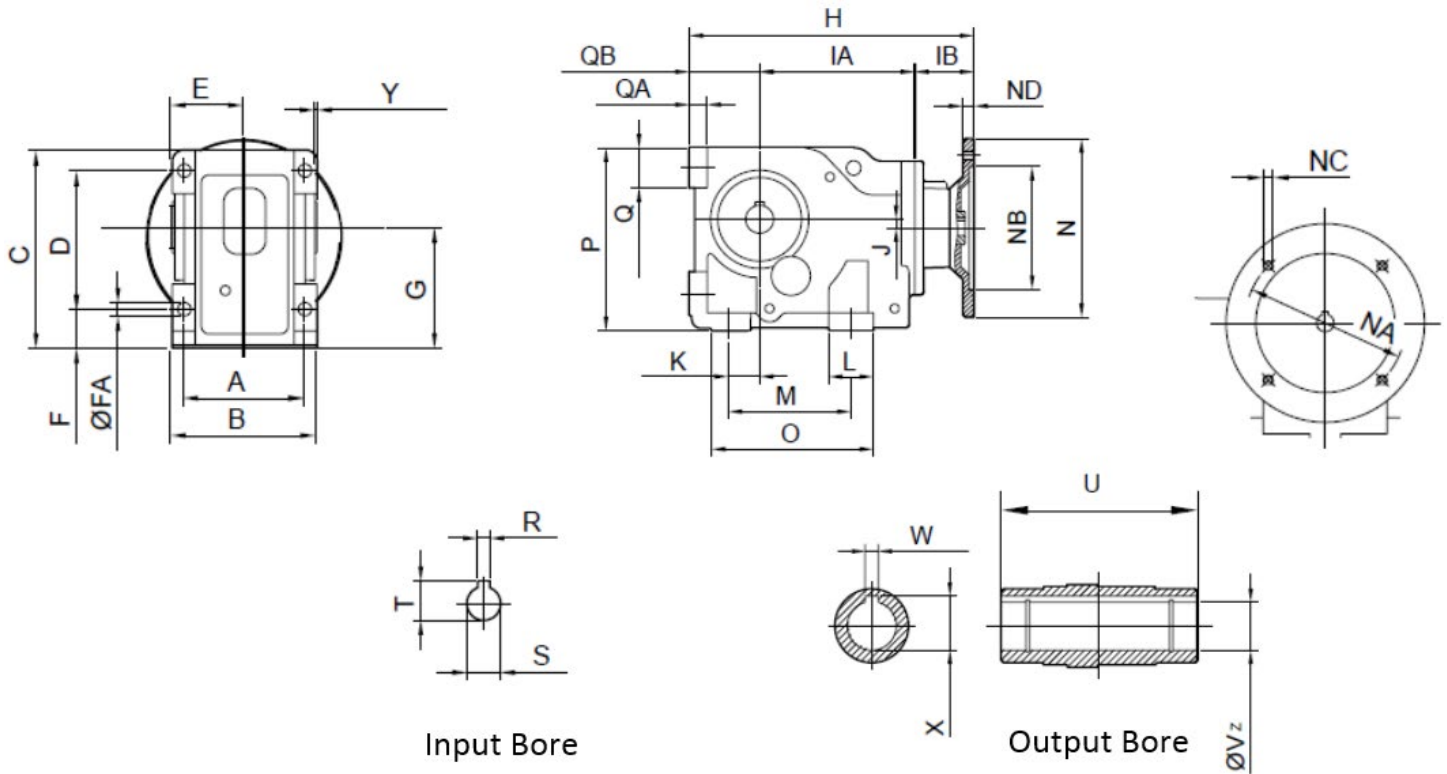
3
KAN & KHN SERIES - HELICAL BEVEL GEAR REDUCERS



All listed dimensions in inches																		
Box Size	NEMA Frame	Q	QA	QB	FLANGE (inches)					INPUT BORE (inches)			OUTPUT BORE (inches)					BORE TOLERANCE
					N	NA	NB	NC	ND	R	S	T	U	V	W	X	Y	
37	56C	1.42	0.63	2.48	6.50	5.875	4.50	4 x 0.41	0.39	0.188	0.625	0.71	4.72	1.250	0.25	1.37	0.08	+0.0018/+0.0008
	143/5TC	1.42	0.63	2.48	6.50	5.875	4.50	4 x 0.41	0.47	0.188	0.875	0.97	4.72	1.250	0.25	1.37	0.08	+0.0018/+0.0008
47	56C	1.57	0.71	2.80	6.50	5.875	4.50	4 x 0.41	0.39	0.188	0.625	0.71	5.90	1.375	0.31	1.52	0.10	+0.0018/+0.0008
	143/5TC	1.57	0.71	2.80	6.50	5.875	4.50	4 x 0.41	0.47	0.188	0.875	0.97	5.90	1.375	0.31	1.52	0.10	+0.0018/+0.0008
57	182/4TC	1.57	0.71	2.80	9.00	7.250	8.50	4 x 0.55	0.67	0.250	1.125	1.24	5.90	1.375	0.31	1.52	0.10	+0.0018/+0.0008
	56C	1.69	0.83	3.15	6.50	5.875	4.50	4x0.41	0.39	0.188	0.625	0.71	6.54	1.500	0.38	1.67	0.12	+0.0018/+0.0008
67	143/5TC	1.69	0.83	3.15	6.50	5.875	4.50	4x0.41	0.47	0.188	0.875	0.96	6.54	1.500	0.38	1.67	0.12	+0.0018/+0.0008
	182/4TC	1.69	0.83	3.15	9.00	7.250	8.50	4x0.55	0.67	0.250	1.125	1.24	6.54	1.500	0.38	1.67	0.12	+0.0018/+0.0008
77	56C	2.32	0.94	3.54	6.50	5.875	4.50	4 x 0.41	0.39	0.188	0.625	0.71	7.08	1.500	0.38	1.67	0.14	+0.0018/+0.0008
	143/5TC	2.32	0.94	3.54	6.50	5.875	4.50	4 x 0.41	0.47	0.188	0.875	0.96	7.08	1.500	0.38	1.67	0.14	+0.0018/+0.0008
87	182/4TC	2.32	0.94	3.54	9.00	7.250	8.50	4 x 0.55	0.67	0.250	1.125	1.24	7.08	1.500	0.38	1.67	0.14	+0.0018/+0.0008
	143/5TC	2.36	1.06	4.41	6.50	5.875	4.50	4 x 0.41	0.47	0.188	0.875	0.96	8.26	2.000	0.50	2.22	0.16	+0.002/+0.0008
97	182/4TC	2.36	1.06	4.41	9.00	7.250	8.50	4 x 0.55	0.67	0.250	1.125	1.24	8.26	2.000	0.50	2.22	0.16	+0.002/+0.0008
	213/5TC	2.36	1.06	4.41	9.00	7.250	8.50	4 x 0.55	0.67	0.312	1.375	1.52	8.26	2.000	0.50	2.22	0.16	+0.002/+0.0008
87	182/4TC	3.46	1.26	5.20	9.00	7.250	8.50	4 x 0.55	0.67	0.250	1.125	1.24	9.44	2.375	0.63	2.65	0.16	+0.002/+0.0008
	213/5TC	3.46	1.26	5.20	9.00	7.250	8.50	4 x 0.55	0.67	0.312	1.375	1.52	9.44	2.375	0.63	2.65	0.16	+0.002/+0.0008
97	254/6TC	3.46	1.26	5.20	10.00	7.250	8.50	4 x 0.55	0.79	0.375	1.625	1.80	9.44	2.375	0.63	2.65	0.16	+0.002/+0.0008
	213/5TC	3.39	1.42	6.30	9.00	7.250	8.50	4 x 0.55	0.67	0.312	1.375	1.52	11.82	2.750	0.63	3.03	0.16	+0.002/+0.0008
97	254/6TC	3.39	1.42	6.30	10.00	7.250	8.50	4 x 0.55	0.79	0.375	1.625	1.80	11.82	2.750	0.63	3.03	0.16	+0.002/+0.0008
	284/6TC	3.39	1.42	6.30	11.26	9.000	10.50	4 x 0.59	0.79	0.500	1.875	2.10	11.82	2.750	0.63	3.03	0.16	+0.002/+0.0008

Dimensions shown in this catalog are for general use only.
For an exact drawing on a specific rating, please contact our sales office.

KHN Series - Helical Bevel Gear Reducers:
Competitor Dimensional Comparison - SEW Eurodrive



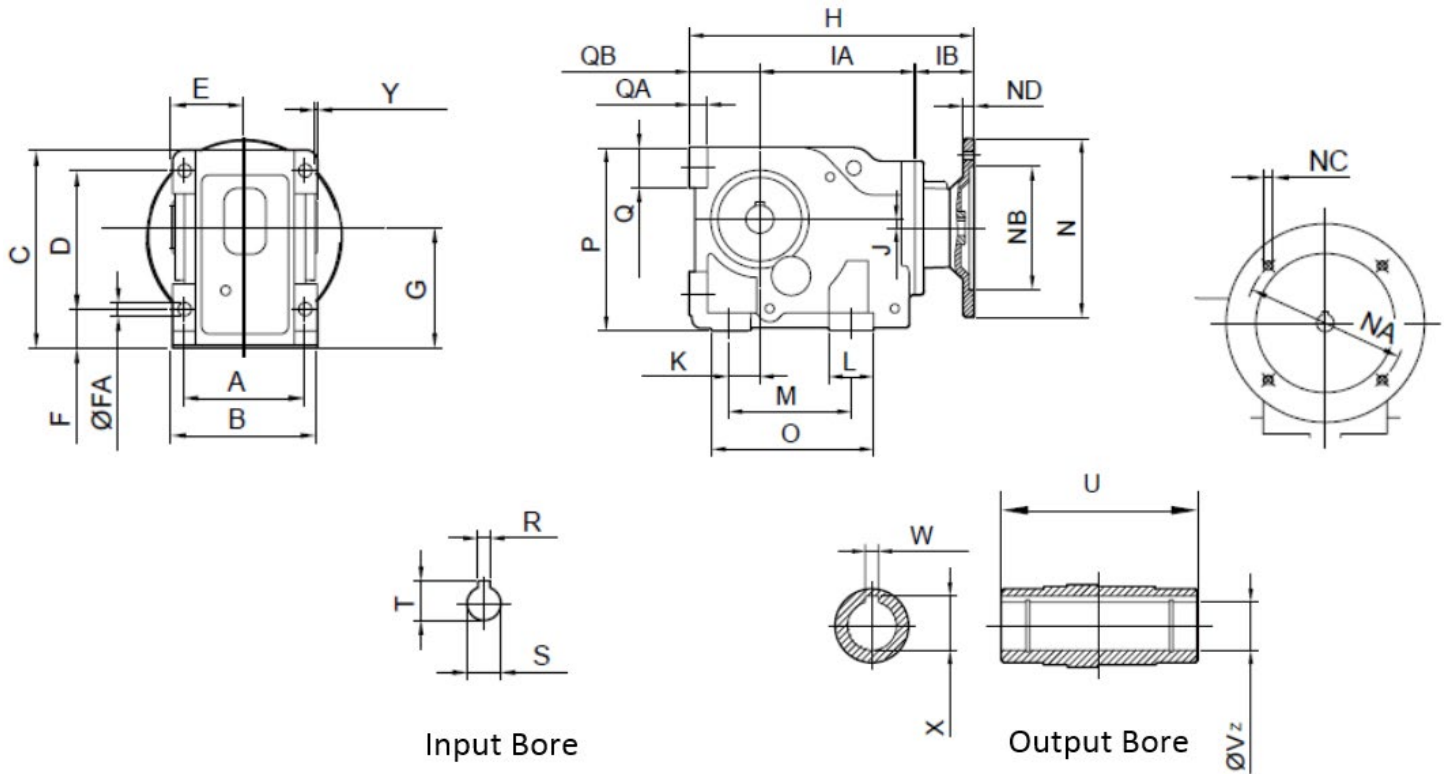
3
KAN & KHN SERIES - HELICAL BEVEL GEAR REDUCERS

All listed dimensions in inches																		
Box Size	NEMA Frame	A	B	C	D	E	F	FA	G	H	IA	IB	J	K	L	M	O	P
37	56C	3.94	4.72	6.50	4.53	2.36	1.26	0.43	3.94	11.63	5.47	3.68	0.33	1.10	1.50	4.33	5.63	6.50
	143/5TC	3.94	4.72	6.50	4.53	2.36	1.26	0.43	3.94	12.56	5.47	4.61	0.33	1.10	1.50	4.33	5.63	6.50
47	56C	4.72	5.71	7.28	5.12	2.83	1.46	0.43	4.41	12.77	6.54	3.43	0.28	1.38	1.26	5.12	6.38	7.28
	143/5TC	4.72	5.71	7.28	5.12	2.83	1.46	0.43	4.41	13.69	6.54	4.35	0.28	1.38	1.26	5.12	6.38	7.28
57	182/4TC	4.72	5.71	7.28	5.12	2.83	1.46	0.43	4.41	15.15	6.54	5.81	0.28	1.38	1.26	5.12	6.38	7.28
	56C	5.12	6.18	8.54	5.91	3.15	1.77	0.53	5.2	13.39	6.81	6.58	0.52	1.18	1.57	5.12	6.77	7.48
67	143/5TC	5.12	6.18	8.54	5.91	3.15	1.77	0.53	5.2	14.31	6.81	7.5	0.52	1.18	1.57	5.12	6.77	7.48
	182/4TC	5.12	6.18	8.54	5.91	3.15	1.77	0.53	5.2	15.77	6.81	8.96	0.52	1.18	1.57	5.12	6.77	7.48
77	56C	5.51	6.69	8.98	6.30	3.41	1.77	0.53	5.51	14.02	7.05	3.43	0.79	1.18	1.77	4.72	6.69	8.98
	143/5TC	5.51	6.69	8.98	6.30	3.41	1.77	0.53	5.51	14.94	7.05	4.35	0.79	1.18	1.77	4.72	6.69	8.98
87	182/4TC	5.51	6.69	8.98	6.30	3.41	1.77	0.53	5.51	16.40	7.05	5.81	0.79	1.18	1.77	4.72	6.69	8.98
	143/5TC	6.50	7.87	11.34	7.87	3.98	2.17	0.69	7.09	16.43	7.95	4.07	1.23	1.57	2.17	5.91	8.19	11.34
97	182/4TC	6.50	7.87	11.34	7.87	3.98	2.17	0.69	7.09	17.85	7.95	5.49	1.23	1.57	2.17	5.91	8.19	11.34
	213/5TC	6.50	7.87	11.34	7.87	3.98	2.17	0.69	7.09	19.78	7.95	7.42	1.23	1.57	2.17	5.91	8.19	11.34
87	182/4TC	7.09	9.06	13.39	9.17	4.57	2.76	0.87	8.35	20.62	10.12	5.30	1.02	2.17	2.95	7.09	10.24	13.39
	213/5TC	7.09	9.06	13.39	9.17	4.57	2.76	0.87	8.35	22.54	10.12	7.22	1.02	2.17	2.95	7.09	10.24	13.39
97	254/6TC	7.09	9.06	13.39	9.17	4.57	2.76	0.87	8.35	24.53	10.12	9.21	1.02	2.17	2.95	7.09	10.24	13.39
	213/5TC	9.45	11.41	16.42	11.61	5.75	2.95	1.02	10.43	24.24	10.91	7.03	1.27	2.95	2.36	9.45	11.57	16.42
97	254/6TC	9.45	11.41	16.42	11.61	5.75	2.95	1.02	10.43	26.23	10.91	9.02	1.27	2.95	2.36	9.45	11.57	16.42
	284/6TC	9.45	11.41	16.42	11.61	5.75	2.95	1.02	10.43	26.50	10.91	9.29	1.27	2.95	2.36	9.45	11.57	16.42

SEW Eurodrive dimensional data was derived from their Catalog 9PD0016/0300. Blue shaded cells indicate a dimensional difference. All dimensions are in inches.

**KHN Series - Helical Bevel Gear Reducers:
Competitor Dimensional Comparison - SEW Eurodrive (Continued)**

3
KAN & KHN SERIES - HELICAL BEVEL GEAR REDUCERS



All listed dimensions in inches																		
Box Size	NEMA Frame	Q	QA	QB	FLANGE (inches)					INPUT BORE (inches)			OUTPUT BORE (inches)					BORE TOLERANCE
					N	NA	NB	NC	ND	R	S	T	U	V	W	X	Y	Z
37	56C	1.42	0.63	2.48	6.69	5.875	4.50	4 x 0.41	0.43	0.188	0.625	0.71	4.72	1.250	0.25	1.37	0.10	+ .0010 / -0.0
	143/5TC	1.42	0.63	2.48	6.69	5.875	4.50	4 x 0.41	0.47	0.188	0.875	0.98	4.72	1.250	0.25	1.37	0.10	+ .0010 / -0.0
47	56C	1.34	0.71	2.80	6.69	5.875	4.50	4 x 0.41	0.43	0.188	0.625	0.71	5.90	1.375	0.31	1.52	0.12	+ .0010 / -0.0
	143/5TC	1.34	0.71	2.80	6.69	5.875	4.50	4 x 0.41	0.47	0.188	0.875	0.98	5.90	1.375	0.31	1.52	0.12	+ .0010 / -0.0
57	182/4TC	1.34	0.71	2.80	8.98	7.250	8.50	4 x 0.59	0.59	0.250	1.125	1.24	5.90	1.375	0.31	1.52	0.12	+ .0010 / -0.0
	56C	1.69	0.83	3.15	6.69	5.875	4.5	0.41	0.43	0.188	0.625	0.71	5.59	1.5	0.38	1.67	0.12	+ 0.001 / -0.0
67	143/5TC	1.69	0.83	3.15	6.69	5.875	4.5	0.41	0.47	0.188	0.875	0.98	5.59	1.5	0.38	1.67	0.12	+ 0.001 / -0.0
	182/4TC	1.69	0.83	3.15	8.98	7.25	8.5	0.59	0.39	0.25	1.125	1.24	5.59	1.5	0.38	1.67	0.12	+ 0.001 / -0.0
77	56C	2.13	0.94	3.54	6.69	5.875	4.50	4 x 0.41	0.43	0.188	0.625	0.71	7.08	1.500	0.38	1.67	0.14	+ .0010 / -0.0
	143/5TC	2.13	0.94	3.54	6.69	5.875	4.50	4 x 0.41	0.47	0.188	0.875	0.98	7.08	1.500	0.38	1.67	0.14	+ .0010 / -0.0
87	182/4TC	2.13	0.94	3.54	8.98	7.250	8.50	4 x 0.59	0.59	0.250	1.125	1.24	7.08	1.500	0.38	1.67	0.14	+ .0010 / -0.0
	143/5TC	2.36	1.06	4.41	6.69	5.875	4.50	4 x 0.41	0.47	0.188	0.875	0.98	8.26	2.000	0.50	2.22	0.16	+ .0011 / -0.0
97	182/4TC	2.36	1.06	4.41	8.98	7.250	8.50	4 x 0.59	0.59	0.250	1.125	1.24	8.26	2.000	0.50	2.22	0.16	+ .0011 / -0.0
	213/5TC	2.36	1.06	4.41	8.98	7.250	8.50	4 x 0.59	0.63	0.312	1.375	1.52	8.26	2.000	0.50	2.22	0.16	+ .0011 / -0.0
87	182/4TC	3.46	1.26	5.20	8.98	7.250	8.50	4 x 0.59	0.59	0.250	1.125	1.24	9.44	2.375	0.63	2.65	0.16	+ .0011 / -0.0
	213/5TC	3.46	1.26	5.20	8.98	7.250	8.50	4 x 0.59	0.63	0.312	1.375	1.52	9.44	2.375	0.63	2.65	0.16	+ .0011 / -0.0
97	254/6TC	3.46	1.26	5.20	8.98	7.250	8.50	4 x 0.59	0.67	0.375	1.625	1.80	9.44	2.375	0.63	2.65	0.16	+ .0011 / -0.0
	213/5TC	3.39	1.42	6.30	8.98	7.250	8.50	4 x 0.59	0.63	0.312	1.375	1.52	11.82	2.750	0.63	3.03	0.16	+ .0011 / -0.0
97	254/6TC	3.39	1.42	6.30	8.98	7.250	8.50	4 x 0.59	0.67	0.375	1.625	1.80	11.82	2.750	0.63	3.03	0.16	+ .0011 / -0.0
	284/6TC	3.39	1.42	6.30	11.26	9.000	10.50	4 x 0.59	0.79	0.500	1.875	2.10	11.82	2.750	0.63	3.03	0.16	+ .0011 / -0.0

SEW Eurodrive dimensional data was derived from their Catalog 9PD0016/0300. Blue shaded cells indicate a dimensional difference. All dimensions are in inches.

KAN & KHN Series - Helical Bevel Gear Reducers: Accessories and Parts

Single Output Shafts

Used for mounting into WorldWide Electric hollow bore reducers for the purpose of turning a hollow bore output unit to a shaft output unit. Shaft kits are compatible with the KAN, KHN and FHN Series except when the reducer are used with a B5 flange. Kit includes single output shaft, key, endplate and bolt.



Box Size	Shaft Diameter (Inches)	Shaft Length (Inches)	Model Number	List Price
37	1	6.852	KAN/KHN/FHN37-OPS-S	\$37.92
47	1.25	8.423	KAN/KHN/FHN47-OPS-S	\$53.08
57	1.375	9.490	KAN/KHN/FHN57-OPS-S	\$113.77
67	1.5	10.433	KAN/KHN/FHN67-OPS-S	\$113.77
77	2	12.444	KAN/KHN/FHN77-OPS-S	\$148.43
87	2.375	14.405	KAN/KHN/FHN87-OPS-S	\$227.52
97	2.75	17.597	KAN/KHN/FHN97-OPS-S	\$349.96

B5 Output Flange

The B5 Output Flange is compatible with the KAN and FHN Series reducer. Kit includes B5 output flange and mounting bolts.



Box Size	Model Number	List Price
37	KAN/FHN37-OPF-B5	\$85.66
47	KAN/FHN47-OPF-B5	\$88.89
57	KAN57-OPF-B5	\$88.89
67	KAN/FHN67-OPF-B5	\$88.89
77	KAN/FHN77-OPF-B5	\$130.87
87	KAN/FHN87-OPF-B5	\$202.68
97	KAN/FHN97-OPF-B5	\$302.35

B5 Single Output Shafts

The B5 Single Output Shaft is longer than the standard Single Output Shaft and is meant to be used when a B5 Output Flange is installed. It is compatible with the KAN and FHN Series reducer. Kit includes single output shaft, key, endplate, and bolt.



Box Size	Shaft Diameter (Inches)	Shaft Length (Inches)	Model Number	List Price
37	1	9.137	KAN/FHN37-OPS-S-B5	\$73.67
47	1.25	11.098	KAN/FHN47-OPS-S-B5	\$107.25
57	1.375	10.142	KAN57-OPS-S-B5	\$101.31
67	1.5	13.938	KAN/FHN67-OPS-S-B5	\$230.78
77	2	16.778	KAN/FHN77-OPS-S-B5	\$299.03
87	2.375	19.519	KAN/FHN87-OPS-S-B5	\$457.21
97	2.75	23.54	KAN/FHN97-OPS-S-B5	\$710.74

B14 Output Flange

The B14 Output Flange is compatible with the KAN and FHN Series reducer. Kit includes B14 output flange, double lip output seal, and mounting bolts.



Box Size	Model Number	List Price
37	KAN/FHN37-OPF-B14	\$42.20
47	KAN/FHN47-OPF-B14	\$51.70
57	KAN/FHN57/67-OPF-B14	\$85.92
67	KAN/FHN57/67-OPF-B14	\$85.92
77	KAN/FHN77-OPF-B14	\$111.77
87	KAN/FHN87-OPF-B14	\$168.41
97	KAN/FHN97-OPF-B14	\$234.18

KHN Series Double Output Shafts

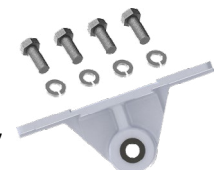
The KHN Series Double Output Shaft is compatible with the KHN Series reducer. Kit includes double output shaft, key, retaining ring, and C-clips.



Box Size	Shaft Diameter (Inches)	Shaft Length (Inches)	Model Number	List Price
37	1	9.137	KHN37-OPS-DS	\$73.67
47	1.25	11.098	KHN47-OPS-DS	\$107.25
57	1.375	12.607	KHN57-OPS-DS	\$230.78
67	1.5	13.938	KHN67-OPS-DS	\$230.78
77	2	16.778	KHN77-OPS-DS	\$299.03
87	2.375	19.519	KHN87-OPS-DS	\$457.21
97	2.75	23.54	KHN97-OPS-DS	\$710.74

KAN Series Torque Arm

The KAN Series Torque Arm is available for box sizes 37-97 and is sold separately from the gearbox. Kit includes torque arm, mounting bolts, and lock washers.



Box Size	Model Number	List Price
37	KAN37-TA	\$43.93
47	KAN47-TA	\$62.02
57	KAN57/67-TA	\$129.19
67	KAN57/67-TA	\$129.19
77	KAN77-TA	\$155.05
87	KAN87-TA	\$206.72
97	KAN97-TA	\$258.40

3
KAN & KHN SERIES - HELICAL BEVEL GEAR REDUCERS

3 KAN & KHN Series - Helical Bevel Gear Reducers: Accessories and Parts

Screw Conveyor Drive Shafts

Machined from high tensile strength alloy steel.
 Conforms to CEMA Standards.
 Three-hole design for easy installaion onto screw.



Screw Conveyor Flange

Conforms to CEMA standards. Bolt-on design allows for easy mounting. Heavy duty FCD45 cast iron construction. Double lip seal and branded felt seal installed.



Box Size	Shaft Diameter (Inches)	Model Number	List Price
47	1.5	KAN/FHN47-SCDS-1.5	\$189.62
	2	KAN/FHN47-SCDS-2	\$234.74
57	1.5	KAN/FHN57-SCDS-1.5	\$318.44
	2	KAN/FHN57-SCDS-2	\$318.44
	2.4375	KAN/FHN57-SCDS-2.4375	\$376.63
67	1.5	KAN/FHN67-SCDS-1.5	\$318.44
	2	KAN/FHN67-SCDS-2	\$318.44
	2.4375	KAN/FHN67-SCDS-2.4375	\$376.63
77	2	KAN/FHN77-SCDS-2	\$449.86
	2.4375	KAN/FHN77-SCDS-2.4375	\$466.22
	3	KAN/FHN77-SCDS-3	\$617.26
87	2	KAN/FHN87-SCDS-2	\$723.18
	2.4375	KAN/FHN87-SCDS-2.4375	\$748.69
	3	KAN/FHN87-SCDS-3	\$755.22
97	2	KAN/FHN97-SCDS-2	\$830.42
	2.4375	KAN/FHN97-SCDS-2.4375	\$855.92
	3	KAN/FHN97-SCDS-3	\$861.15
	3.4375	KAN/FHN97-SCDS-3.4375	\$1,097.20

Box Size	Model Number	List Price
47	KAN/FHN47-SCF	\$589.42
57	KAN/FHN57/67-SCF	\$701.89
67	KAN/FHN57/67-SCF	\$701.89
77	KAN/FHN77-SCF	\$726.80
87	KAN/FHN87-SCF	\$852.09
97	KAN/FHN97-SCF	\$1,428.68

FHN Series - Parallel Shaft Helical Gear Reducers

Product Overview

Product Specifications

- 5:1 - 110:1 ratios
- Additional ratios via custom order
- Box sizes 37-97
- Horsepower range from 3/4 HP to 25 HP
- Built for high efficiency, high strength and low noise
- All cast iron housings for increased strength and reliability
- Gears are precision machined for better rotation and quieter operation
- Gearbox flanges are designed to accept NEMA C-face electric motors
- No coupling necessary
- Drop-in for most major European produced parallel reducer brands
- Units filled with HD320 mineral oil for an "M1" mounting position
- Adjust oil level for alternative mounting positions
- Accessory kits: B5/B14 Output Flanges, CEMA Flanges and Screw Conveyor Shafts



Box Size	Nominal Ratio	Actual Ratio	Output RPM @ 1750 RPM Input	Input HP	S.C.	Output Torque (lbs. in.)	OHL (lbs.)	Motor Frame	Stages	Approx. Weight (lbs.)	Model Number	List Price
37	5	5.68	308	0.75	III	140	640	56C	2	35	FHN37-5/1-H-56C	\$1,028.19
	5	5.68	308	2	III	380	580	143/5TC	2	40	FHN37-5/1-H-143/5TC	\$1,028.19
	8	8.14	215	0.75	III	210	710	56C	2	35	FHN37-8/1-H-56C	\$1,028.19
	8	8.14	215	2	III	550	630	143/5TC	2	40	FHN37-8/1-H-143/5TC	\$1,028.19
	10	10.39	169	0.75	III	260	770	56C	2	35	FHN37-10/1-H-56C	\$1,028.19
	10	10.39	169	2	III	700	680	143/5TC	2	40	FHN37-10/1-H-143/5TC	\$1,028.19
	15	16.29	107	0.75	III	410	570	56C	2	35	FHN37-15/1-H-56C	\$1,028.19
	15	16.29	107	1	III	550	840	143TC	2	40	FHN37-15/1-H-143TC	\$1,028.19
	25	24.7	71	0.75	III	620	970	56C	2	35	FHN37-25/1-H-56C	\$1,028.19
	25	24.7	71	1	III	830	930	143TC	2	40	FHN37-25/1-H-143TC	\$1,028.19
	30	31.69	55	0.75	III	780	1000	56C	3	36	FHN37-30/1-H-56C	\$1,163.80
	30	31.69	55	1	II	1040	980	143TC	3	42	FHN37-30/1-H-143TC	\$1,163.80
	40	38.31	46	0.75	II	940	1000	56C	3	36	FHN37-40/1-H-56C	\$1,163.80
	40	38.31	46	1	I	1250	1000	143TC	3	42	FHN37-40/1-H-143TC	\$1,163.80
	50	51.7	34	0.75	I	1270	1000	56C	3	36	FHN37-50/1-H-56C	\$1,163.80
	60	58.32	30	0.75	I	1430	1000	56C	3	36	FHN37-60/1-H-56C	\$1,163.80
47	6	5.93	295	2	III	400	910	143/5TC	2	51	FHN47-6/1-H-143/5TC	\$1,484.81
	7	6.9	253	2	III	460	950	143/5TC	2	51	FHN47-7/1-H-143/5TC	\$1,484.81
	10	9.89	177	0.75	III	250	1130	56C	2	46	FHN47-10/1-H-56C	\$1,484.81
	10	9.89	177	1	III	330	1110	143TC	2	51	FHN47-10/1-H-143TC	\$1,484.81
	15	15.19	115	0.75	III	380	1300	56C	2	46	FHN47-15/1-H-56C	\$1,484.81
	15	15.19	115	2	III	1020	1170	143/5TC	2	51	FHN47-15/1-H-143/5TC	\$1,484.81
	20	20.45	86	0.75	III	520	1330	56C	2	46	FHN47-20/1-H-56C	\$1,484.81
	20	20.45	86	2	III	1380	1250	143/5TC	2	51	FHN47-20/1-H-143/5TC	\$1,484.81
	30	30.66	57	0.75	III	750	1330	56C	3	48	FHN47-30/1-H-56C	\$1,687.21
	30	30.66	57	2	II	2000	1290	143/5TC	3	53	FHN47-30/1-H-143/5TC	\$1,687.21
	40	42.91	41	0.75	II	1050	1330	56C	3	45	FHN47-40/1-H-56C	\$1,687.21
	40	42.91	41	2	I	2800	1330	143/5TC	3	53	FHN47-40/1-H-143/5TC	\$1,687.21
	50	50.24	35	0.75	III	1230	1330	56C	3	48	FHN47-50/1-H-56C	\$1,687.21
	50	50.24	35	2	I	3280	1330	143/5TC	3	53	FHN47-50/1-H-143/5TC	\$1,687.21
	60	60.83	29	0.75	III	1490	1330	56C	3	48	FHN47-60/1-H-56C	\$1,687.21
	60	60.83	29	1	II	1990	1330	143TC	3	53	FHN47-60/1-H-143TC	\$1,687.21
70	71.21	25	0.75	III	1740	1330	56C	3	48	FHN47-70/1-H-56C	\$1,687.21	
70	71.21	25	1	II	2330	1330	143TC	3	53	FHN47-70/1-H-143TC	\$1,687.21	
85	85.41	20	0.75	II	2090	1330	56C	3	48	FHN47-85/1-H-56C	\$1,687.21	

3
 FHN SERIES - HELICAL BEVEL GEAR REDUCERS

Section 3: Helical and Helical-Bevel Gear Reducers
FHN Series - Parallel Shaft Helical Gear Reducers



FHN Series - Parallel Shaft Helical Gear Reducers
Product Overview (Continued)

3

FHN SERIES - HELICAL BEVEL GEAR REDUCERS

Box Size	Nominal Ratio	Actual Ratio	Output RPM @ 1750 RPM Input	Input HP	S.C.	Output Torque (lbs. in.)	OHL (lbs.)	Motor Frame	Stages	Approx. Weight (lbs.)	Model Number	List Price
57	5	5.98	293	2.00	III	400	1170	143/5TC	2	59	FHN57-5/1-H-143/5TC	\$1,705.00
	10	11.35	154	2.00	III	760	1400	143/5TC	2	59	FHN57-10/1-H-143/5TC	\$1,705.00
	15	15.55	113	2.00	III	1050	1540	143/5TC	2	59	FHN57-15/1-H-143/5TC	\$1,705.00
	20	19.11	92	2.00	III	1290	1620	143/5TC	2	59	FHN57-20/1-H-143/5TC	\$1,705.00
	30	34.11	51	2.00	III	2230	1840	143/5TC	3	66	FHN57-30/1-H-143/5TC	\$1,876.00
	40	39.72	44	0.75	III	970	2070	56C	3	59	FHN57-40/1-H-56C	\$1,876.00
	40	39.72	44	2.00	III	2590	1890	143/5TC	3	66	FHN57-40/1-H-143/5TC	\$1,876.00
	50	56.91	31	2.00	I	3720	1990	143/5TC	3	66	FHN57-50/1-H-143/5TC	\$1,876.00
	60	64.76	27	0.75	III	1590	2070	56C	3	59	FHN57-60/1-H-56C	\$1,876.00
67	10	11.31	155	0.75	III	290	1530	56C	2	81	FHN67-10/1-H-56C	\$1,885.56
	10	11.31	155	2.00	III	760	1450	143/5TC	2	85	FHN67-10/1-H-143/5TC	\$1,885.56
	10	11.31	155	5.00	III	1900	1280	182/4TC	2	93	FHN67-10/1-H-182/4TC	\$1,885.56
	15	14.46	121	0.75	III	370	1650	56C	2	81	FHN67-15/1-H-56C	\$1,885.56
	15	14.46	121	2.00	III	970	1560	143/5TC	2	85	FHN67-15/1-H-143/5TC	\$1,885.56
	15	14.46	121	5.00	III	2430	1330	182/4TC	2	93	FHN67-15/1-H-182/4TC	\$1,885.56
	20	18.1	97	0.75	III	460	1770	56C	2	81	FHN67-20/1-H-56C	\$1,885.56
	20	18.1	97	2.00	III	1220	1650	143/5TC	2	85	FHN67-20/1-H-143/5TC	\$1,885.56
	20	18.1	97	5.00	II	3050	1370	182/4TC	2	93	FHN67-20/1-H-182/4TC	\$1,885.56
	30	30.15	58	0.75	III	740	2060	56C	3	83	FHN67-30/1-H-56C	\$2,113.87
	30	30.15	58	2.00	III	1970	1870	143/5TC	3	87	FHN67-30/1-H-143/5TC	\$2,113.87
	30	30.15	58	5.00	I	4920	1420	182/4TC	3	96	FHN67-30/1-H-182/4TC	\$2,113.87
	40	38.16	46	0.75	III	930	2210	56C	3	83	FHN67-40/1-H-56C	\$2,113.87
	40	38.16	46	2.00	III	2490	1970	143/5TC	3	87	FHN67-40/1-H-143/5TC	\$2,113.87
	40	38.16	46	3.00	II	3740	1780	182TC	3	96	FHN67-40/1-H-182TC	\$2,113.87
	45	44.2	40	0.75	III	1080	2310	56C	3	83	FHN67-45/1-H-56C	\$2,113.87
	45	44.2	40	2.00	III	2890	2030	143/5TC	3	87	FHN67-45/1-H-143/5TC	\$2,113.87
	45	44.2	40	3.00	I	4330	1810	182TC	3	96	FHN67-45/1-H-182TC	\$2,113.87
	65	64.95	27	0.75	III	1590	2310	56C	3	83	FHN67-65/1-H-56C	\$2,113.87
	65	64.95	27	2.00	II	4240	2160	143/5TC	3	87	FHN67-65/1-H-143/5TC	\$2,113.87
	90	89.11	20	0.75	III	2180	2310	56C	3	83	FHN67-90/1-H-56C	\$2,113.87
90	89.11	20	2.00	I	5820	2240	143/5TC	3	87	FHN67-90/1-H-143/5TC	\$2,113.87	
110	109.55	16	0.75	III	2680	2310	56C	3	83	FHN67-110/1-H-56C	\$2,113.87	
110	109.55	16	1.00	II	3580	2310	143TC	3	87	FHN67-110/1-H-143TC	\$2,113.87	
77	7.5	7.4	237	2.00	III	500	3450	143/5TC	2	137	FHN77-7.5/1-H-143/5TC	\$2,276.19
	7.5	7.4	237	5.00	III	1250	3340	182/4TC	2	144	FHN77-7.5/1-H-182/4TC	\$2,276.19
	7.5	7.4	237	10.00	III	2490	3160	213/5TC	2	157	FHN77-7.5/1-H-213/5TC	\$2,276.19
	10	9.07	193	2.00	III	610	3530	143/5TC	2	137	FHN77-10/1-H-143/5TC	\$2,276.19
	10	9.07	193	5.00	III	1530	3530	182/4TC	2	144	FHN77-10/1-H-182/4TC	\$2,276.19
	10	9.07	193	10.00	III	3050	3370	213/5TC	2	157	FHN77-10/1-H-213/5TC	\$2,276.19
	15	15.64	112	5.00	III	2630	3530	182/4TC	2	144	FHN77-15/1-H-182/4TC	\$2,276.19
	15	15.64	112	10.00	III	5270	3530	213/5TC	2	157	FHN77-15/1-H-213/5TC	\$2,276.19
	20	21.49	81	2.00	III	1450	3530	143/5TC	2	137	FHN77-20/1-H-143/5TC	\$2,276.19
	20	21.49	81	5.00	III	3620	3530	182/4TC	2	144	FHN77-20/1-H-182/4TC	\$2,276.19
	30	31.25	56	2.00	III	2040	3530	143/5TC	3	140	FHN77-30/1-H-143/5TC	\$2,549.43
	30	31.25	56	5.00	III	5100	3530	182/4TC	3	147	FHN77-30/1-H-182/4TC	\$2,549.43
	30	31.25	56	10.00	I	10210	3530	213/5TC	3	160	FHN77-30/1-H-213/5TC	\$2,549.43
	40	41.67	42	2.00	III	2720	3530	143/5TC	3	140	FHN77-40/1-H-143/5TC	\$2,549.43
	40	41.67	42	5.00	II	6800	3530	182/4TC	3	147	FHN77-40/1-H-182/4TC	\$2,549.43
	40	41.67	42	7.50	I	10210	3530	213TC	3	160	FHN77-40/1-H-213TC	\$2,549.43
	50	49.04	36	2.00	III	3200	3530	143/5TC	3	140	FHN77-50/1-H-143/5TC	\$2,549.43
	50	49.04	36	5.00	II	8010	3530	182/4TC	3	147	FHN77-50/1-H-182/4TC	\$2,549.43
	50	49.04	36	7.50	I	12010	3530	213TC	3	160	FHN77-50/1-H-213TC	\$2,549.43
	60	59.38	29	2.00	III	3880	3530	143/5TC	3	140	FHN77-60/1-H-143/5TC	\$2,549.43
	60	59.38	29	5.00	I	9700	3530	182/4TC	3	147	FHN77-60/1-H-182/4TC	\$2,549.43
	80	83.63	21	2.00	III	5460	3530	145TC	3	140	FHN77-80/1-H-145TC	\$2,549.43
	80	83.63	21	3.00	II	8190	3530	182TC	3	147	FHN77-80/1-H-182TC	\$2,549.43
	95	93.9	19	2.00	III	6130	3530	143/5TC	3	140	FHN77-95/1-H-143/5TC	\$2,549.43
95	93.9	19	3.00	I	9200	3530	182TC	3	147	FHN77-95/1-H-182TC	\$2,549.43	

Service Class I (S.F.=1.0) Service Class II (S.F.=1.5) Service Class III (S.F.=2.0) * Service Class < 1

Continued On Next Page

Section 3: Helical and Helical-Bevel Gear Reducers
FHN Series - Parallel Shaft Helical Gear Reducers



FHN Series - Parallel Shaft Helical Gear Reducers
Product Overview (Continued)

Box Size	Nominal Ratio	Actual Ratio	Output RPM @ 1750 RPM Input	Input HP	S.C.	Output Torque (lbs. in.)	OHL (lbs.)	Motor Frame	Stages	Approx. Weight (lbs.)	Model Number	List Price
87	7.5	7.12	246	5.00	III	1200	3280	182/4TC	2	235	FHN87-7.5/1-H-182/4TC	\$3,332.72
	7.5	7.12	246	10.00	III	2400	3150	213/5TC	2	248	FHN87-7.5/1-H-213/5TC	\$3,599.33
	7.5	7.12	246	20.00	III	4790	2870	254/6TC	2	278	FHN87-7.5/1-H-254/6TC	\$3,599.33
	10	9.76	179	5.00	III	1640	3600	182/4TC	2	235	FHN87-10/1-H-182/4TC	\$3,599.33
	10	9.76	179	10.00	III	3290	3440	213/5TC	2	248	FHN87-10/1-H-213/5TC	\$3,599.33
	10	9.76	179	20.00	III	6570	3110	254/6TC	2	278	FHN87-10/1-H-254/6TC	\$3,599.33
	15	14.76	119	5.00	III	2480	4020	182/4TC	2	235	FHN87-15/1-H-182/4TC	\$3,599.33
	15	14.76	119	10.00	III	4970	3770	213/5TC	2	248	FHN87-15/1-H-213/5TC	\$3,599.33
	15	14.76	119	20.00	III	9940	3280	254/6TC	2	278	FHN87-15/1-H-254/6TC	\$3,599.33
	20	19.61	89	5.00	III	3200	4270	182/4TC	3	235	FHN87-20/1-H-182/4TC	\$3,599.33
	20	19.61	89	10.00	III	6400	3900	213/5TC	3	248	FHN87-20/1-H-213/5TC	\$3,599.33
	20	19.61	89	20.00	III	12810	3160	254/6TC	3	278	FHN87-20/1-H-254/6TC	\$3,599.33
	30	28.41	62	5.00	III	4780	4450	182/4TC	2	235	FHN87-30/1-H-182/4TC	\$3,599.33
	45	46.47	38	2.00	III	3040	4450	145TC	3	232	FHN87-45/1-H-145TC	\$4,032.14
	45	46.47	38	5.00	III	7590	4450	182/4TC	3	241	FHN87-45/1-H-182/4TC	\$4,032.14
	50	53.48	33	2.00	III	3490	4450	145TC	3	232	FHN87-50/1-H-145TC	\$4,032.14
	50	53.48	33	3.00	III	5240	4450	182TC	3	241	FHN87-50/1-H-182TC	\$4,032.14
	60	61.76	28	5.00	III	10090	4450	182/4TC	3	241	FHN87-60/1-H-182/4TC	\$4,032.14
	60	61.76	28	10.00	III	20170	4450	213/5TC	3	255	FHN87-60/1-H-213/5TC	\$4,032.14
	70	70.73	25	5.00	III	11550	4450	182/4TC	3	241	FHN87-70/1-H-182/4TC	\$4,032.14
70	70.73	25	10.00	III	23100	4450	213/5TC	3	255	FHN87-70/1-H-213/5TC	\$4,032.14	
80	78.67	22	5.00	III	12850	4450	182/4TC	3	241	FHN87-80/1-H-182/4TC	\$4,032.14	
80	78.67	22	10.00	III	25690	4450	213/5TC	3	255	FHN87-80/1-H-213/5TC	\$4,032.14	
110	108.77	16	5.00	III	17760	4450	182/4TC	3	241	FHN87-110/1-H-182/4TC	\$4,032.14	
97	7	6.99	250	10.00	III	2350	3910	213/5TC	2	426	FHN97-7/1-H-213/5TC	\$5,147.62
	7	6.99	250	20.00	III	4710	3640	254/6TC	2	459	FHN97-7/1-H-254/6TC	\$5,147.62
	7	6.99	250	25.00	III	5890	3500	284TC	2	464	FHN97-7/1-H-284TC	\$5,147.62
	10	9.09	193	10.00	III	3060	4210	213/5TC	2	426	FHN97-10/1-H-213/5TC	\$5,147.62
	10	9.09	193	20.00	III	6120	3860	254/6TC	2	459	FHN97-10/1-H-254/6TC	\$5,147.62
	10	9.09	193	25.00	III	7650	3690	284TC	2	464	FHN97-10/1-H-284TC	\$5,147.62
	15	13.86	126	10.00	III	4663	4670	213/5TC	2	426	FHN97-15/1-H-213/5TC	\$5,147.62
	15	13.86	126	20.00	III	9330	4350	254/6TC	2	459	FHN97-15/1-H-254/6TC	\$5,147.62
	15	13.86	126	25.00	III	11670	4120	284TC	2	464	FHN97-15/1-H-284TC	\$5,147.62
	20	22.72	77	5.00	III	3830	5810	182/4TC	2	415	FHN97-20/1-H-182/4TC	\$5,147.62
	20	22.72	77	10.00	III	7650	5450	213/5TC	2	426	FHN97-20/1-H-213/5TC	\$5,147.62
	20	22.72	77	20.00	II	15300	4710	254/6TC	2	459	FHN97-20/1-H-254/6TC	\$5,147.62
	30	32.38	54	5.00	III	5450	6430	182/4TC	2	415	FHN97-30/1-H-182/4TC	\$5,147.62
	30	32.38	54	10.00	III	10900	5910	213/5TC	2	426	FHN97-30/1-H-213/5TC	\$5,147.62
	45	45.69	38	5.00	III	7460	6710	182/4TC	3	428	FHN97-45/1-H-182/4TC	\$5,761.43
	45	45.69	38	10.00	III	14920	6370	213/5TC	3	439	FHN97-45/1-H-213/5TC	\$5,761.43
	45	45.69	38	20.00	I	29840	4940	254/6TC	3	472	FHN97-45/1-H-254/6TC	\$5,761.43
	50	50.96	34	5.00	III	8320	6710	182/4TC	3	428	FHN97-50/1-H-182/4TC	\$5,761.43
	50	50.96	34	10.00	III	16640	6490	213/5TC	3	439	FHN97-50/1-H-213/5TC	\$5,761.43
	50	50.96	34	15.00	I	24970	5690	254TC	3	472	FHN97-50/1-H-254TC	\$5,761.43
65	64.52	27	5.00	III	10540	6710	182/4TC	3	428	FHN97-65/1-H-182/4TC	\$5,761.43	
65	64.52	27	10.00	II	21070	6710	213/5TC	3	439	FHN97-65/1-H-213/5TC	\$5,761.43	
65	64.52	27	15.00	I	31610	5720	254TC	3	472	FHN97-65/1-H-254TC	\$5,761.43	
80	77.93	22	10.00	I	25450	6710	213/5TC	3	439	FHN97-80/1-H-213/5TC	\$5,761.43	
100	98.66	18	10.00	I	32220	6710	213/5TC	3	439	FHN97-100/1-H-213/5TC	\$5,761.43	

3
 FHN SERIES - HELICAL BEVEL GEAR REDUCERS

Service Class I (S.F.=1.0) Service Class II (S.F.=1.5) Service Class III (S.F.=2.0) * Service Class < 1

Section 3: Helical and Helical-Bevel Gear Reducers

FHN Series - Parallel Shaft Helical Gear Reducers



FHN Series - Parallel Shaft Helical Gear Reducers

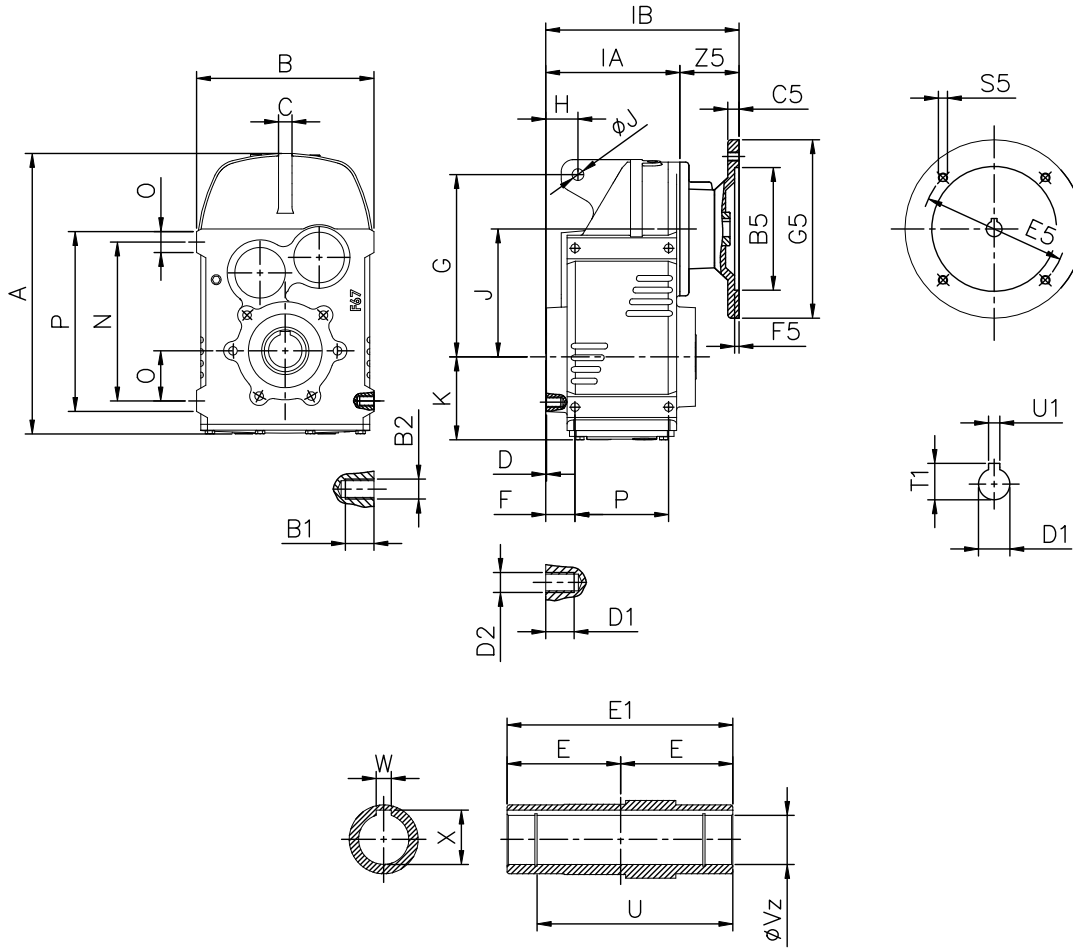
Mechanical Ratings

3
FHN SERIES - HELICAL BEVEL GEAR REDUCERS

Box Size	Nominal Ratio	Actual Ratio	Output RPM	Service Factor Values			Stages	Nominal Stock Performance															
				Max Input HP	Max Output Torque (lbs. in.)	O.H.L. (lbs.)		56C			143TC			145TC			182TC			184TC			
								HP	T	OHL	HP	T	OHL	HP	T	OHL	HP	T	OHL	HP	T	OHL	
37	5	5.68	308	5.25	1000	420	2	0.75	140	640	1	190	630	2	380	580							
	8	8.14	215	4.22	1160	470	2	0.75	210	710	1	270	700	2	550	630							
	10	10.39	169	5.07	1770	440	2	0.75	260	770	1	350	750	2	700	680							
	15	16.29	107	3.23	1770	575	2	0.75	410	870	1	550	840										
	25	24.7	71	2.13	1770	720	2	0.75	620	970	1	830	930										
	30	31.69	55	1.71	1770	810	3	0.75	780	1000	1	1040	980										
	40	38.31	46	1.42	1770	890	3	0.75	940	1000	1	1250	1000										
	50	51.7	34	1.05	1770	995	3	0.75	1270	1000	1	1690	1000										
60	58.32	30	0.93	1770	995	3	0.75	1430	1000														
47	6	5.93	295	8.34	1670	630	2	0.75	150	970	1	200	960	2	400	910							
	7	6.9	253	7.59	1760	660	2	0.75	170	1020	1	230	1000	2	460	950							
	10	9.89	177	6.13	2040	730	2	0.75	250	1130	1	330	1110										
	15	15.19	115	6.46	3300	730	2	0.75	380	1300	1	510	1270	2	1020	1170							
	20	20.45	86	4.78	3290	875	2	0.75	520	1330	1	690	1330	2	1380	1250							
	30	30.66	57	3.2	3200	1015	3	0.75	750	1330	1	1000	1330	2	2000	1290							
	40	42.91	41	2.53	3540	1250	3	0.75	1050	1330	1	1400	1330	2	2800	1330							
	50	50.24	35	2.16	3540	1330	3	0.75	1230	1330	1	1640	1330	2	3280	1330							
60	60.83	29	1.78	3540	1330	3	0.75	1490	1330	1	1990	1330											
70	71.21	25	1.52	3540	1330	3	0.75	1740	1330	1	2330	1330											
85	85.41	20	1.27	3540	1330	3	0.75	2090	1330														
57	5	5.98	292	18.35	3700	630	2				1	200	1210	2	400	1170					5	1010	1050
	10	11.35	154	12.09	4620	770	2				1	380	1480	2	760	1400	3	1150	1320				
	15	15.55	113	10.15	5310	940	2							2	1050	1540	3	1570	1440	5	2620	1260	
	20	19.11	92	8.26	5310	1075	2							2	1290	1620	3	1930	1500				
	30	34.11	51	4.77	5310	1515	3				1	1110	2040	2	2230	1840	3	3340	1640				
	40	39.72	44	4.1	5310	1640	3	0.75	970	2070	1	1300	2070	2	2590	1890	3	3890	1660				
	50	56.9	31	2.86	5310	1975	3				1	1860	2070	2	3720	1990							
	60	64.76	27	2.51	5310	2070	3	0.75	1590	2070	1	2120	2070	2	4230	2020							
67	10	11.31	155	14.57	5550	725	2	0.75	290	1530	1	380	1510	2	760	1450	3	1140	1390	5	1900	1280	
	15	14.46	121	11.36	5530	860	2	0.75	370	1650	1	490	1630	2	970	1560	3	1460	1480	5	2430	1330	
	20	18.1	97	9.03	5500	995	2	0.75	460	1770	1	610	1740	2	1220	1650	3	1830	1560	5	3050	1370	
	30	30.15	58	5.62	5530	1330	3	0.75	740	2060	1	980	2020	2	1970	1870	3	2950	1720	5	4920	1420	
	40	38.16	46	4.65	5800	1470	3	0.75	930	2210	1	1250	2160	2	2490	1970	3	3740	1780				
	45	44.2	40	4.12	5950	1565	3	0.75	1080	2310	1	1440	2250	2	2890	2030	3	4330	1810				
	65	64.95	27	3.02	6410	1835	3	0.75	1590	2310	1	2120	2310	2	4240	2160							
	90	89.11	20	2.33	6780	2085	3	0.75	2180	2310	1	2910	2310	2	5820	2240							
110	109.55	16	1.97	7050	2275	3	0.75	2680	2310	1	3580	2310											
77	7.5	7.4	237	42.92	10690	1970	2				1	250	3480	2	500	3450	3	750	3410	5	1250	3340	
	10	9.07	193	43.5	13280	2130	2				1	310	3530	2	610	3530	3	920	3530	5	1530	3530	
	15	15.64	112	25.22	13280	2800	2				1	530	3530	2	1050	3530	3	1580	3530	5	2630	3530	
	20	21.49	81	18.36	13280	3240	2				1	720	3530	2	1450	3530	3	2170	3530	5	3620	3530	
	30	31.25	56	13.01	13280	3530	3				1	1020	3530	2	2040	3530	3	3060	3530	5	5100	3530	
	40	41.67	42	9.76	13280	3530	3				1	1360	3530	2	2720	3530	3	4080	3530	5	6800	3530	
	50	49.04	36	8.29	13280	3530	3				1	1600	3530	2	3200	3530	3	4800	3530	5	8010	3530	
	60	59.38	29	6.85	13280	3530	3				1	1940	3530	2	3880	3530	3	5820	3530	5	9700	3530	
80	83.63	21	4.86	13280	3530	3				1	2730	3530	2	5460	3530	3	8190	3530					
95	93.9	19	4.33	13280	3530	3				1	3070	3530	2	6130	3530	3	9200	3530					
87	7	7.12	246	79.79	19120	1010	2							2	480	3370	3	720	3340	5	1200	3280	
	10	9.76	179	66.48	21850	1610	2							2	660	3700	3	990	3670	5	1640	3600	
	15	14.76	119	43.5	21620	2130	2							2	990	4160	3	1490	4110	5	2480	4020	
	20	19.61	89	29.25	18730	2480	3							2	1280	4450	3	1920	4420	5	3200	4270	
	30	28.41	62	23	22000	3020	2							2	1910	4450	3	2870	4450	5	4780	4450	
	45	46.47	38	12.11	18390	3890	3							2	3040	4450	3	4550	4450	5	7590	4450	
	50	53.48	33	10.6	18520	4130	3							2	3490	4450	3	5240	4450				
	60	61.76	28	12.57	25360	4050	3							2	4030	4450	3	6050	4450	5	10090	4450	
70	70.73	25	11.26	26020	4260	3							2	4620	4450	3	6930	4450	5	11550	4450		
80	78.67	22	10.33	26550	4430	3							2	5140	4450	3	7710	4450	5	12850	4450		
110	108.77	16	7.47	26550	4460	3							2	7100	4450	3	10660	4450	5	17760	4450		
97	7	6.99	250	77.07	18140	2120	2										3	710	4090	5	1180	4040	
	10	9.09	193	78.62	24060	1830	2										3	920	4450	5	1530	4380	
	15	13.86	126	64.02	29870	2375	2										3	1400	5110	5	2330	5020	
	20	22.72	77	38.95	29800	3325	2										3	2300	5960	5	3830	5810	
	30	32.38	54	29.14	31770	3910	2										3	3270	6640	5	5450	6430	
	45	45.69	38	22.66	33810	4560	3										3	4480	6710	5	7460	6710	
	50	50.96	34	20.74	34520	4785	3										3	4990	6710	5	8320	6710	
	65	64.52	27	17.11	36050	5300	3										3	6320	6710	5	10540	6710	
80	77.93	22	14.69	37390	5740	3										3	7640	6710	5	12730	6710		
100	98.66	18	11.81	38060	6440	3										3	9670	6710	5	16110	6710		

Continued On Next Page

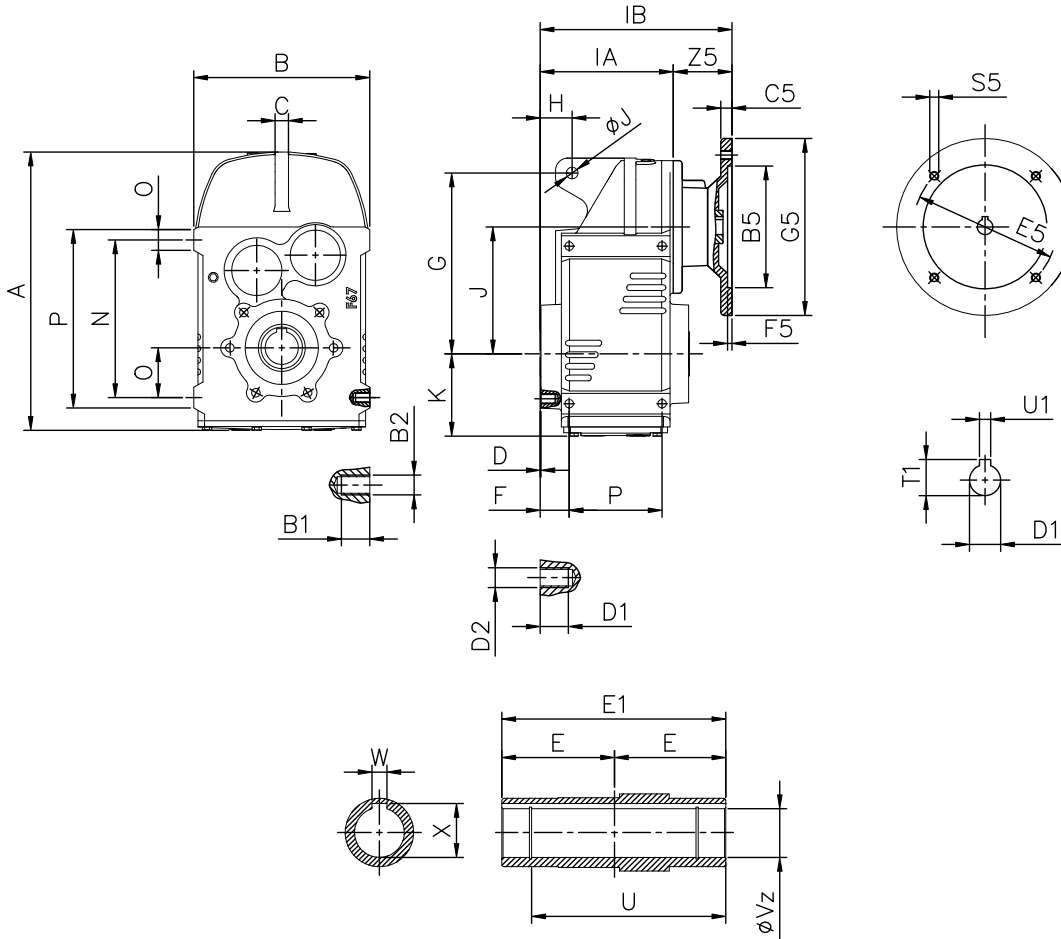
FHN Series - Parallel Shaft Helical Gear Reducers
Dimensions



3
 FHN SERIES - HELICAL
 BEVEL GEAR REDUCERS

All listed dimensions in inches																									
Box Size	NEMA Frame	A	B	B1	B2	C	D	D1	D2	E	E1	F	G	H	IA	IB	J	K	L	M	N	O	P	Z5	F5
37	56C	9.92	6.50	0.43	M8	0.47	0.06	0.43	M8	2.36	4.72	0.85	6.22	1.20	4.35	6.75	4.41	2.89	0.79	5.31	4.53	1.22	3.03	2.40	0.16
	143/5TC	9.92	6.50	0.43	M8	0.47	0.06	0.43	M8	2.36	4.72	0.85	6.22	1.20	4.35	7.15	4.41	2.89	0.79	5.31	4.53	1.22	3.03	2.80	0.20
47	56C	10.79	7.09	0.59	M10	0.47	0.04	0.43	M8	2.95	5.91	1.16	6.69	1.26	5.18	7.58	4.80	3.29	0.79	6.50	5.71	1.69	3.66	2.40	0.16
	143/5TC	10.79	7.09	0.59	M10	0.47	0.04	0.43	M8	2.95	5.91	1.16	6.69	1.26	5.18	7.97	4.80	3.29	0.79	6.50	5.71	1.69	3.66	2.80	0.20
57	56C	12.36	7.87	0.67	M12	0.55	0.11	0.67	M12	3.27	6.54	1.32	6.50	1.59	6.06	8.24	5.35	3.66	0.98	7.67	6.69	2.17	4.02	2.40	0.16
	143/5TC	12.36	7.87	0.67	M12	0.55	0.11	0.67	M12	3.27	6.54	1.32	6.50	1.59	6.06	8.63	5.35	3.66	0.98	7.67	6.69	2.17	4.02	2.80	0.20
67	56C	13.23	8.35	0.67	M12	0.63	0.04	0.67	M12	3.54	7.09	1.38	8.58	1.52	6.32	8.46	6.03	3.94	0.98	8.46	7.48	2.36	4.41	2.15	0.16
	143/5TC	13.23	8.35	0.67	M12	0.63	0.04	0.67	M12	3.54	7.09	1.38	8.58	1.52	6.32	8.86	6.03	3.94	0.98	8.46	7.48	2.36	4.41	2.54	0.20
	182/4TC	13.23	8.35	0.67	M12	0.63	0.04	0.67	M12	3.54	7.09	1.38	8.58	1.52	6.32	9.59	6.03	3.94	0.98	8.46	7.48	2.36	4.41	3.27	0.20
77	143/5TC	17.01	10.63	1.02	M16	0.79	0.16	0.67	M12	4.13	8.27	1.44	10.87	1.48	7.46	9.78	7.87	5.08	1.38	10.83	9.45	2.76	5.51	3.05	0.20
	182/4TC	17.01	10.63	1.02	M16	0.79	0.16	0.67	M12	4.13	8.27	1.44	10.87	1.48	7.46	10.51	7.87	5.08	1.38	10.83	9.45	2.76	5.51	5.31	0.20
	213/5TC	17.01	10.63	1.02	M16	0.79	0.16	0.67	M12	4.13	8.27	1.44	10.87	1.48	7.46	12.78	7.87	5.08	1.38	10.83	9.45	2.76	5.51	5.31	0.20
87	143/5TC	20.75	12.99	1.02	M16	1.02	0.16	1.02	M16	4.72	9.45	1.69	12.99	2.44	8.98	10.93	8.92	6.69	1.57	13.78	12.20	3.94	6.50	1.95	0.20
	182/4TC	20.75	12.99	1.02	M16	1.02	0.16	1.02	M16	4.72	9.45	1.69	12.99	2.44	8.98	11.65	8.92	6.69	1.57	13.78	12.20	3.94	6.50	2.68	0.20
	213/5TC	20.75	12.99	1.02	M16	1.02	0.16	1.02	M16	4.72	9.45	1.69	12.99	2.44	8.98	13.92	8.92	6.69	1.57	13.78	12.20	3.94	6.50	4.94	0.20
	254/6TC	20.75	12.99	1.02	M16	1.02	0.16	1.02	M16	4.72	9.45	1.69	12.99	2.44	8.98	14.90	8.92	6.69	1.57	13.78	12.20	3.94	6.50	5.93	0.20
97	182/4TC	24.49	15.75	1.10	M20	1.18	0.04	1.02	M16	5.91	11.81	1.83	15.55	2.76	10.87	13.39	10.63	7.64	1.97	16.14	13.78	4.72	8.07	2.52	0.20
	213/5TC	24.49	15.75	1.10	M20	1.18	0.04	1.02	M16	5.91	11.81	1.83	15.55	2.76	10.87	15.49	10.63	7.64	1.97	16.14	13.78	4.72	8.07	4.63	0.20
	254/6TC	24.49	15.75	1.10	M20	1.18	0.04	1.02	M16	5.91	11.81	1.83	15.55	2.76	10.87	16.48	10.63	7.64	1.97	16.14	13.78	4.72	8.07	5.61	0.20
	284/6TC	24.49	15.75	1.10	M20	1.18	0.04	1.02	M16	5.91	11.81	1.83	15.55	2.76	10.87	16.83	10.63	7.64	1.97	16.14	13.78	4.72	8.07	5.96	0.20

FHN Series - Parallel Shaft Helical Gear Reducers
Dimensions (Continued)



3
 FHN SERIES - HELICAL
 BEVEL GEAR REDUCERS

All listed dimensions in inches														
Box Size	NEMA Frame	FLANGE (inches)					INPUT BORE (inches)			OUTPUT BORE (inches)				BORE TOLERANCE
		B5	C5	E5	G5	S5	U1	D1	T1	U	V	W	X	Z
37	56C	4.50	0.39	5.875	6.50	0.41	0.187	0.625	0.71	4.13	1.250	0.25	1.37	+0.002 / +0.001
	143/5TC	4.50	0.47	5.875	6.50	0.41	0.187	0.875	0.96	4.13	1.250	0.25	1.37	+0.002 / +0.001
47	56C	4.50	0.39	5.875	6.50	0.41	0.187	0.625	0.71	5.20	1.375	0.31	1.52	+0.002 / +0.001
	143/5TC	4.50	0.47	5.875	6.50	0.41	0.187	0.875	0.96	5.20	1.375	0.31	1.52	+0.002 / +0.001
57	56C	4.50	0.39	5.875	6.50	0.41	0.188	0.625	0.71	5.59	1.500	0.38	1.67	+0.002 / +0.001
	143/5TC	4.50	0.47	5.875	6.50	0.41	0.188	0.875	0.97	5.59	1.500	0.38	1.67	+0.002 / +0.001
67	56C	4.50	0.39	5.875	6.50	0.41	0.187	0.625	0.71	6.14	1.500	0.38	1.67	+0.002 / +0.001
	143/5TC	4.50	0.47	5.875	6.50	0.41	0.187	0.875	0.96	6.14	1.500	0.38	1.67	+0.002 / +0.001
	182/4TC	8.50	0.67	7.250	9.00	0.55	0.250	1.125	1.24	6.14	1.500	0.38	1.67	+0.002 / +0.001
77	143/5TC	4.50	0.47	5.875	6.50	0.41	0.187	0.875	0.96	7.20	2.000	0.50	2.22	+0.002 / +0.001
	182/4TC	8.50	0.67	7.250	9.00	0.55	0.250	1.125	1.24	7.20	2.000	0.50	2.22	+0.002 / +0.001
	213/5TC	8.50	0.67	7.250	9.00	0.55	0.313	1.375	1.52	7.20	2.000	0.50	2.22	+0.002 / +0.001
87	143/5TC	4.50	0.47	5.875	6.50	0.41	0.187	0.875	0.96	8.27	2.375	0.63	2.65	+0.002 / +0.001
	182/4TC	8.50	0.67	7.250	9.00	0.55	0.250	1.125	1.24	8.27	2.375	0.63	2.65	+0.002 / +0.001
	213/5TC	8.50	0.67	7.250	9.00	0.55	0.313	1.375	1.52	8.27	2.375	0.63	2.65	+0.002 / +0.001
	254/6TC	8.50	0.79	7.250	10.00	0.55	0.375	1.625	1.80	8.27	2.375	0.63	2.65	+0.002 / +0.001
97	182/4TC	8.50	0.67	7.250	9.00	0.55	0.250	1.125	1.24	10.63	2.750	0.63	3.03	+0.002 / +0.001
	213/5TC	8.50	0.67	7.250	9.00	0.55	0.313	1.375	1.52	10.63	2.750	0.63	3.03	+0.002 / +0.001
	254/6TC	8.50	0.79	7.250	10.00	0.55	0.375	1.625	1.80	10.63	2.750	0.63	3.03	+0.002 / +0.001
	284/6TC	10.50	0.79	9.000	11.26	0.59	0.500	1.875	2.10	10.63	2.750	0.63	3.03	+0.002 / +0.001

FHN Series - Parallel Shaft Helical Gear Reducers with Power Lock Product Overview

Product Specifications

- FHN Series Parallel Shaft Helical Reducers are available with power lock bushings for more secure connections.
- The power lock assembly achieves a non-positive connection between the driven shaft and the hollow shaft in the gear unit.
- Available on units with frame sizes 87 or 97
- All products features (aside from powerlock bushing) and mechanical ratings are consistent with the standard design FHN Reducers.

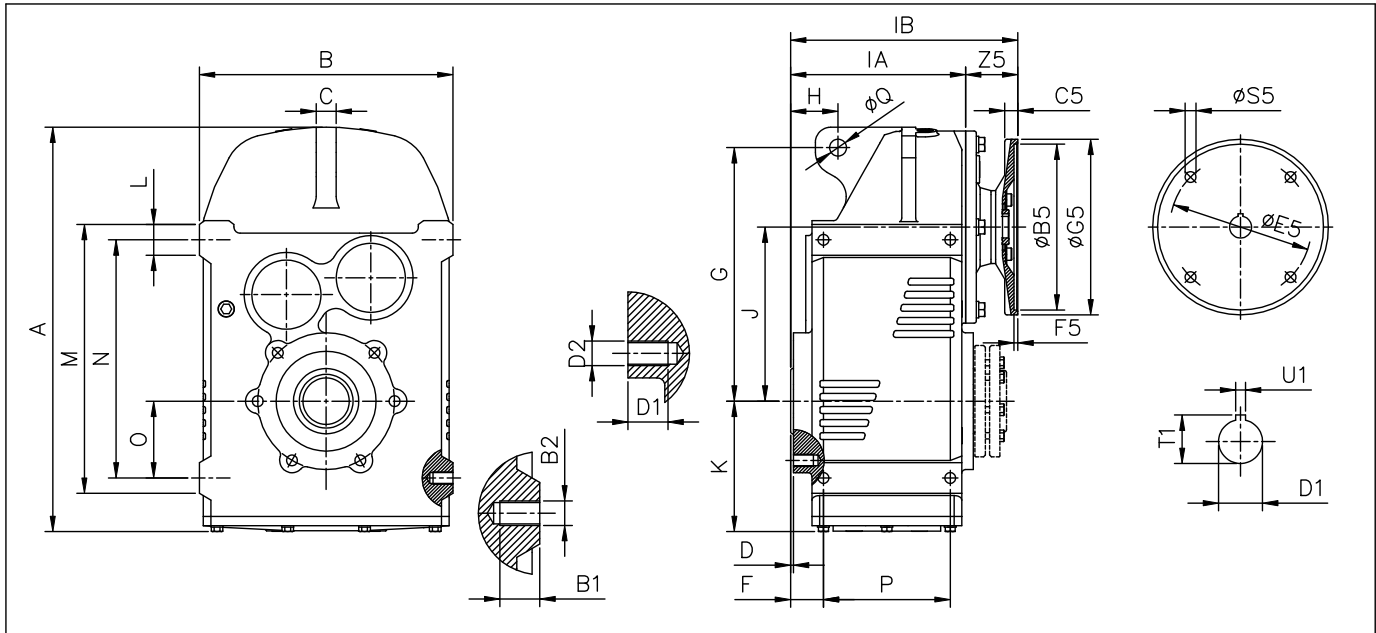


3

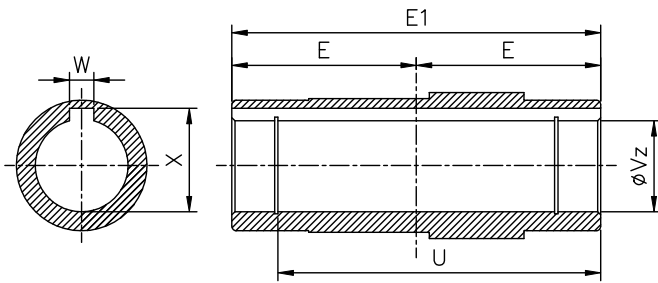
FHN SERIES - HELICAL BEVEL GEAR REDUCERS

Box Size	Nominal Ratio	Actual Ratio	Output RPM @ 1750 RPM Input	Input HP	S.C.	Output Torque (lbs. in.)	OHL (lbs.)	Motor Frame	Stages	Approx. Weight (lbs.)	Model Number	List Price
87	7.5	7.12	246	5.00	III	1200	3280	182/4TC	2	235	FHN87-7.5/1-H-182/4TC-PL	\$3,963.51
	7.5	7.12	246	10.00	III	2400	3150	213/5TC	2	248	FHN87-7.5/1-H-213/5TC-PL	\$3,963.51
	7.5	7.12	246	20.00	III	4790	2870	254/6TC	2	278	FHN87-7.5/1-H-254/6TC-PL	\$3,963.51
	10	9.76	179	5.00	III	1640	3600	182/4TC	2	235	FHN87-10/1-H-182/4TC-PL	\$3,963.51
	10	9.76	179	10.00	III	3290	3440	213/5TC	2	248	FHN87-10/1-H-213/5TC-PL	\$3,963.51
	10	9.76	179	20.00	III	6570	3110	254/6TC	2	278	FHN87-10/1-H-254/6TC-PL	\$3,963.51
	15	14.76	119	5.00	III	2480	4020	182/4TC	2	235	FHN87-15/1-H-182/4TC-PL	\$3,963.51
	15	14.76	119	10.00	III	4970	3770	213/5TC	2	248	FHN87-15/1-H-213/5TC-PL	\$3,963.51
	15	14.76	119	20.00	III	9940	3280	254/6TC	2	278	FHN87-15/1-H-254/6TC-PL	\$3,963.51
	20	19.61	89	5.00	III	3200	4270	182/4TC	3	235	FHN87-20/1-H-182/4TC-PL	\$3,963.51
	20	19.61	89	10.00	III	6400	3900	213/5TC	3	248	FHN87-20/1-H-213/5TC-PL	\$3,963.51
	20	19.61	89	20.00	III	12810	3160	254/6TC	3	278	FHN87-20/1-H-254/6TC-PL	\$3,963.51
	30	28.41	62	5.00	III	4780	4450	182/4TC	2	235	FHN87-30/1-H-182/4TC-PL	\$3,963.51
	45	46.47	38	2.00	III	3040	4450	145TC	3	232	FHN87-45/1-H-145TC-PL	\$4,396.32
	45	46.47	38	5.00	III	7590	4450	182/4TC	3	241	FHN87-45/1-H-182/4TC-PL	\$4,396.32
	50	53.48	33	2.00	III	3490	4450	145TC	3	232	FHN87-50/1-H-145TC-PL	\$4,396.32
	50	53.48	33	3.00	III	5240	4450	182TC	3	241	FHN87-50/1-H-182TC-PL	\$4,396.32
	60	61.76	28	5.00	III	10090	4450	182/4TC	3	241	FHN87-60/1-H-182/4TC-PL	\$4,396.32
	60	61.76	28	10.00	III	20170	4450	213/5TC	3	255	FHN87-60/1-H-213/5TC-PL	\$4,396.32
	70	70.73	25	5.00	III	11550	4450	182/4TC	3	241	FHN87-70/1-H-182/4TC-PL	\$4,396.32
70	70.73	25	10.00	III	23100	4450	213/5TC	3	255	FHN87-70/1-H-213/5TC-PL	\$4,396.32	
80	78.67	22	5.00	III	12850	4450	182/4TC	3	241	FHN87-80/1-H-182/4TC-PL	\$4,396.32	
80	78.67	22	10.00	III	25690	4450	213/5TC	3	255	FHN87-80/1-H-213/5TC-PL	\$4,396.32	
110	108.77	16	5.00	III	17760	4450	182/4TC	3	241	FHN87-110/1-H-182/4TC-PL	\$4,396.32	
97	7	6.99	250	10.00	III	2350	3910	213/5TC	2	426	FHN97-7/1-H-213/5TC-PL	\$5,558.14
	7	6.99	250	20.00	III	4710	3640	254/6TC	2	459	FHN97-7/1-H-254/6TC-PL	\$5,558.14
	7	6.99	250	25.00	III	5890	3500	284TC	2	464	FHN97-7/1-H-284TC-PL	\$5,558.14
	10	9.09	193	10.00	III	3060	4210	213/5TC	2	426	FHN97-10/1-H-213/5TC-PL	\$5,558.14
	10	9.09	193	20.00	III	6120	3860	254/6TC	2	459	FHN97-10/1-H-254/6TC-PL	\$5,558.14
	10	9.09	193	25.00	III	7650	3690	284TC	2	464	FHN97-10/1-H-284TC-PL	\$5,558.14
	15	13.86	126	10.00	III	4663	4670	213/5TC	2	426	FHN97-15/1-H-213/5TC-PL	\$5,558.14
	15	13.86	126	20.00	III	9330	4350	254/6TC	2	459	FHN97-15/1-H-254/6TC-PL	\$5,558.14
	15	13.86	126	25.00	III	11670	4120	284TC	2	464	FHN97-15/1-H-284TC-PL	\$5,558.14
	20	22.72	77	5.00	III	3830	5810	182/4TC	2	415	FHN97-20/1-H-182/4TC-PL	\$5,558.14
	20	22.72	77	10.00	III	7650	5450	213/5TC	2	426	FHN97-20/1-H-213/5TC-PL	\$5,558.14
	20	22.72	77	20.00	II	15300	4710	254/6TC	2	459	FHN97-20/1-H-254/6TC-PL	\$5,558.14
	30	32.38	54	5.00	III	5450	6430	182/4TC	2	415	FHN97-30/1-H-182/4TC-PL	\$5,558.14
	30	32.38	54	10.00	III	10900	5910	213/5TC	2	426	FHN97-30/1-H-213/5TC-PL	\$5,558.14
	45	45.69	38	5.00	III	7460	6710	182/4TC	3	428	FHN97-45/1-H-182/4TC-PL	\$6,171.94
	45	45.69	38	10.00	III	14920	6370	213/5TC	3	439	FHN97-45/1-H-213/5TC-PL	\$6,171.94
	45	45.69	38	20.00	I	29840	4940	254/6TC	3	472	FHN97-45/1-H-254/6TC-PL	\$6,171.94
	50	50.96	34	5.00	III	8320	6710	182/4TC	3	428	FHN97-50/1-H-182/4TC-PL	\$6,171.94
	50	50.96	34	10.00	III	16640	6490	213/5TC	3	439	FHN97-50/1-H-213/5TC-PL	\$6,171.94
	50	50.96	34	15.00	I	24970	5690	254TC	3	472	FHN97-50/1-H-254TC-PL	\$6,171.94
65	64.52	27	5.00	III	10540	6710	182/4TC	3	428	FHN97-65/1-H-182/4TC-PL	\$6,171.94	
65	64.52	27	10.00	II	21070	6710	213/5TC	3	439	FHN97-65/1-H-213/5TC-PL	\$6,171.94	
65	64.52	27	15.00	I	31610	5720	254TC	3	472	FHN97-65/1-H-254TC-PL	\$6,171.94	
80	77.93	22	10.00	I	25450	6710	213/5TC	3	439	FHN97-80/1-H-213/5TC-PL	\$6,171.94	
100	98.66	18	10.00	I	32220	6710	213/5TC	3	439	FHN97-100/1-H-213/5TC-PL	\$6,171.94	

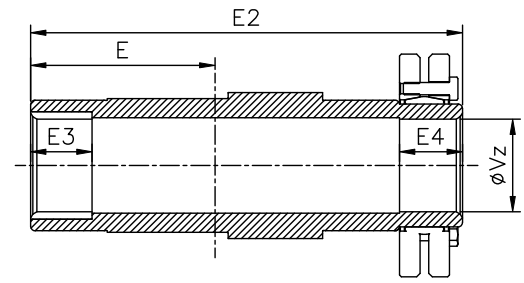
FHN Series - Parallel Shaft Helical Gear Reducers with Power Lock
Dimensions



Standard



PowerLock



All listed dimensions in inches

Box Size	NEMA Frame	A	B	B1	B2	C	D	D1	D2	E	E1	F	G	H	IA	IB	J	K	L	M	N	O	P	Z5	F5
37	56C	9.92	6.50	0.43	M8	0.47	0.06	0.43	M8	2.36	4.72	0.85	6.22	1.20	4.35	6.75	4.41	2.89	0.79	5.31	4.53	1.22	3.03	2.40	0.16
	143/5TC	9.92	6.50	0.43	M8	0.47	0.06	0.43	M8	2.36	4.72	0.85	6.22	1.20	4.35	7.15	4.41	2.89	0.79	5.31	4.53	1.22	3.03	2.80	0.20
47	56C	10.79	7.09	0.59	M10	0.47	0.04	0.43	M8	2.95	5.91	1.16	6.69	1.26	5.18	7.58	4.80	3.29	0.79	6.50	5.71	1.69	3.66	2.40	0.16
	143/5TC	10.79	7.09	0.59	M10	0.47	0.04	0.43	M8	2.95	5.91	1.16	6.69	1.26	5.18	7.97	4.80	3.29	0.79	6.50	5.71	1.69	3.66	2.80	0.20
57	56C	12.36	7.87	0.67	M12	0.55	0.11	0.67	M12	3.27	6.54	1.32	6.50	1.59	6.06	8.24	5.35	3.66	0.98	7.67	6.69	2.17	4.02	2.40	0.16
	143/5TC	12.36	7.87	0.67	M12	0.55	0.11	0.67	M12	3.27	6.54	1.32	6.50	1.59	6.06	8.63	5.35	3.66	0.98	7.67	6.69	2.17	4.02	2.80	0.20
67	56C	13.23	8.35	0.67	M12	0.63	0.04	0.67	M12	3.54	7.09	1.38	8.58	1.52	6.32	8.46	6.03	3.94	0.98	8.46	7.48	2.36	4.41	2.15	0.16
	143/5TC	13.23	8.35	0.67	M12	0.63	0.04	0.67	M12	3.54	7.09	1.38	8.58	1.52	6.32	8.86	6.03	3.94	0.98	8.46	7.48	2.36	4.41	2.54	0.20
	182/4TC	13.23	8.35	0.67	M12	0.63	0.04	0.67	M12	3.54	7.09	1.38	8.58	1.52	6.32	9.59	6.03	3.94	0.98	8.46	7.48	2.36	4.41	3.27	0.20
77	143/5TC	17.01	10.63	1.02	M16	0.79	0.16	0.67	M12	4.13	8.27	1.44	10.87	1.48	7.46	9.78	7.87	5.08	1.38	10.83	9.45	2.76	5.51	3.05	0.20
	182/4TC	17.01	10.63	1.02	M16	0.79	0.16	0.67	M12	4.13	8.27	1.44	10.87	1.48	7.46	10.51	7.87	5.08	1.38	10.83	9.45	2.76	5.51	5.31	0.20
	213/5TC	17.01	10.63	1.02	M16	0.79	0.16	0.67	M12	4.13	8.27	1.44	10.87	1.48	7.46	12.78	7.87	5.08	1.38	10.83	9.45	2.76	5.51	5.31	0.20
87	143/5TC	20.75	12.99	1.02	M16	1.02	0.16	1.02	M16	4.72	9.45	1.69	12.99	2.44	8.98	10.93	8.92	6.69	1.57	13.78	12.20	3.94	6.50	1.95	0.20
	182/4TC	20.75	12.99	1.02	M16	1.02	0.16	1.02	M16	4.72	9.45	1.69	12.99	2.44	8.98	11.65	8.92	6.69	1.57	13.78	12.20	3.94	6.50	2.68	0.20
	213/5TC	20.75	12.99	1.02	M16	1.02	0.16	1.02	M16	4.72	9.45	1.69	12.99	2.44	8.98	13.92	8.92	6.69	1.57	13.78	12.20	3.94	6.50	4.94	0.20
	254/6TC	20.75	12.99	1.02	M16	1.02	0.16	1.02	M16	4.72	9.45	1.69	12.99	2.44	8.98	14.90	8.92	6.69	1.57	13.78	12.20	3.94	6.50	5.93	0.20
97	182/4TC	24.49	15.75	1.10	M20	1.18	0.04	1.02	M16	5.91	11.81	1.83	15.55	2.76	10.87	13.39	10.63	7.64	1.97	16.14	13.78	4.72	8.07	2.52	0.20
	213/5TC	24.49	15.75	1.10	M20	1.18	0.04	1.02	M16	5.91	11.81	1.83	15.55	2.76	10.87	15.49	10.63	7.64	1.97	16.14	13.78	4.72	8.07	4.63	0.20
	254/6TC	24.49	15.75	1.10	M20	1.18	0.04	1.02	M16	5.91	11.81	1.83	15.55	2.76	10.87	16.48	10.63	7.64	1.97	16.14	13.78	4.72	8.07	5.61	0.20
	284/6TC	24.49	15.75	1.10	M20	1.18	0.04	1.02	M16	5.91	11.81	1.83	15.55	2.76	10.87	16.83	10.63	7.64	1.97	16.14	13.78	4.72	8.07	5.96	0.20

FHN Series - Parallel Shaft Helical Gear Reducers: Accessories and Parts

Single Output Shafts

Used for mounting into WorldWide Electric hollow bore reducers for the purpose of turning a hollow bore output unit to a shaft output unit. Shaft kits are compatible with the KAN, KHN and FHN Series except when the reducer are used with a B5 flange. Kit includes single output shaft, key, endplate and bolt.



Box Size	Shaft Diameter (Inches)	Shaft Length (Inches)	Model Number	List Price
37	1	6.852	KAN/KHN/FHN37-OPS-S	\$37.92
47	1.25	8.423	KAN/KHN/FHN47-OPS-S	\$53.08
57	1.375	9.490	KAN/KHN/FHN57-OPS-S	\$113.77
67	1.5	10.433	KAN/KHN/FHN67-OPS-S	\$113.77
77	2	12.444	KAN/KHN/FHN77-OPS-S	\$148.43
87	2.375	14.405	KAN/KHN/FHN87-OPS-S	\$227.52
97	2.75	17.597	KAN/KHN/FHN97-OPS-S	\$349.96

B5 Output Flange

The B5 Output Flange is compatible with the KAN and FHN Series reducer. Kit includes B5 output flange and mounting bolts.



Box Size	Model Number	List Price
37	KAN/FHN37-OPF-B5	\$85.66
47	KAN/FHN47-OPF-B5	\$88.89
57	FHN57-OPF-B5	\$88.89
67	KAN/FHN67-OPF-B5	\$88.89
77	KAN/FHN77-OPF-B5	\$130.87
87	KAN/FHN87-OPF-B5	\$202.68
97	KAN/FHN97-OPF-B5	\$302.35

B5 Single Output Shafts

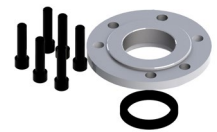
The B5 Single Output Shaft is longer than the standard Single Output Shaft and is meant to be used when a B5 Output Flange is installed. It is compatible with the KAN and FHN Series reducer. Kit includes single output shaft, key, endplate, and bolt.



Box Size	Shaft Diameter (Inches)	Shaft Length (Inches)	Model Number	List Price
37	1	9.137	KAN/FHN37-OPS-S-B5	\$73.67
47	1.25	11.098	KAN/FHN47-OPS-S-B5	\$107.25
57	1.375	10.142	FHN57-OPS-S-B5	\$101.31
67	1.5	13.938	KAN/FHN67-OPS-S-B5	\$230.78
77	2	16.778	KAN/FHN77-OPS-S-B5	\$299.03
87	2.375	19.519	KAN/FHN87-OPS-S-B5	\$457.21
97	2.75	23.54	KAN/FHN97-OPS-S-B5	\$710.74

B14 Output Flange

The B14 Output Flange is compatible with the KAN and FHN Series reducer. Kit includes B14 output flange, double lip output seal, and mounting bolts.



Box Size	Model Number	List Price
37	KAN/FHN37-OPF-B14	\$42.20
47	KAN/FHN47-OPF-B14	\$51.70
57	KAN/FHN57/67-OPF-B14	\$85.92
67	KAN/FHN57/67-OPF-B14	\$85.92
77	KAN/FHN77-OPF-B14	\$111.77
87	KAN/FHN87-OPF-B14	\$168.41
97	KAN/FHN97-OPF-B14	\$234.18

Screw Conveyor Drive Shafts

Machined from high tensile strength alloy steel. Conforms to CEMA Standards. Three-hole design for easy installaion onto screw.



Box Size	Shaft Diameter (Inches)	Model Number	Approx. Weight (lbs.)	List Price
47	1.5	KAN/FHN47-SCDS-1.5	11.0	\$189.62
	2	KAN/FHN47-SCDS-2	15.4	\$234.74
57	1.5	KAN/FHN57-SCDS-1.5	18.1	\$318.44
	2	KAN/FHN57-SCDS-2	18.7	\$318.44
67	2.4375	KAN/FHN57-SCDS-2.4375	20.3	\$376.63
	1.5	KAN/FHN67-SCDS-1.5	18.1	\$318.44
	2	KAN/FHN67-SCDS-2	18.7	\$318.44
77	2.4375	KAN/FHN67-SCDS-2.4375	20.3	\$376.63
	2	KAN/FHN77-SCDS-2	23.1	\$449.86
	2.4375	KAN/FHN77-SCDS-2.4375	27.6	\$466.22
87	3	KAN/FHN77-SCDS-3	34.8	\$617.26
	2	KAN/FHN87-SCDS-2	28.7	\$723.18
	2.4375	KAN/FHN87-SCDS-2.4375	34.2	\$748.69
97	3	KAN/FHN87-SCDS-3	39.7	\$755.22
	2	KAN/FHN97-SCDS-2	36.4	\$830.42
	2.4375	KAN/FHN97-SCDS-2.4375	43.0	\$855.92
97	3	KAN/FHN97-SCDS-3	48.5	\$861.15
	3.4375	KAN/FHN97-SCDS-3.4375	62.8	\$1,097.20

Screw Conveyor Flange

Conforms to CEMA standards. Bolt-on design allows for easy mounting. Heavy duty FCD45 cast iron construction. Double lip seal and branded felt seal installed.



Box Size	Model Number	List Price
47	KAN/FHN47-SCF	\$589.42
57	KAN/FHN57/67-SCF	\$701.89
67	KAN/FHN57/67-SCF	\$701.89
77	KAN/FHN77-SCF	\$726.80
87	KAN/FHN87-SCF	\$852.09
97	KAN/FHN97-SCF	\$1,428.68

How To Read A.G.M.A. Service Factors Table

- The ratings for gear drives in this manual are based on a service factor of 1.00, for uniform load and uniform power source, up to 10 hours of operation per day. For other operating conditions, the application horsepower or torque must be multiplied by the appropriate service factor, to determine the equivalent gear drive power rating. A gear drive should be selected with a rated capacity equal to or greater than the equivalent rating. A condensed service factor chart is located in the selection information pages for each type of gear drive or reducer.
- A.G.M.A. Service Factors for Worm and Helical Worm Reducers are listed on pages 72-73.
- Table 1 indicates the relationship between service factors and load classification numbers.

- A.G.M.A. service factors are based on a uniform power source. If other power sources are used, the service factors must be converted using Table 2. Determine the required service factor with uniform power source. Locate that service factor in the first column and read straight across to obtain required service factor with multi-cylinder or single cylinder engines.
- Service factors do not need to be used with thermal ratings.
- Service Factor charts are for general guidelines in determining required service factors. Past experience may indicate that different service factors are required. Consult the factory for unusual or severe applications, or when there are any safety considerations.

Load Class (S.F.)	Up to 3 Hours Total Operation Per Day	3 to 10 Hours Total Operation Per Day	Over 10 Hours Total Operation Per Day
I (1.0)	Moderate Shock Load	Uniform Load	---
II (1.4)	Heavy Shock Load	Moderate Shock Load	Uniform Load
III (2.0)	---	Heavy Shock Load	Moderate Shock Load

Steam or Gas Turbine Hydraulic or Electric Motor	Multi-Cylinder Engine	Single Cylinder Engine
1.00	1.25	1.50
1.25	1.50	1.75
1.50	1.75	2.00
1.75	2.00	2.25
2.00	2.25	2.50
2.50	2.75	3.00
3.00	3.25	3.50

4
A.G.M.A. SERVICE FACTOR AND LOAD CLASS INFO.

A.G.M.A. Service Factors: Worm Gear Reducers & Gearmotors

Application	Total Operation			Application	Total Operation			Application	Total Operation		
	< 3 Hrs. Per Day	3-10 Hrs. Per Day	> 10 Hrs. Per Day		< 3 Hrs. Per Day	3-10 Hrs. Per Day	> 10 Hrs. Per Day		< 3 Hrs. Per Day	3-10 Hrs. Per Day	> 10 Hrs. Per Day
Agitators (mixers)				Cranes				Extruders			
Pure liquids	---	1.00	1.25	Dry dock				General	1.25	1.25	1.25
Liquids and solids	1.00	1.25	1.50	Main hoist	1.25	1.50	1.75	Plastics			
Liquids-variable density	1.00	1.25	1.50	Auxiliary hoist	1.25	1.50	1.75	Variable speed drive	1.50	1.50	1.50
Blowers				Boom hoist	1.25	1.50	1.75	Fixed speed drive	1.75	1.75	1.75
Centrifugal	---	1.00	1.25	Slewing drive	1.25	1.50	1.75	Rubber			
Lobe	1.00	1.25	1.50	Traction drive	1.50	1.50	1.50	Continuous screw operation	1.50	1.50	1.50
Vane	---	1.00	1.25	Container				Intermittent screw operation	1.75	1.75	1.75
Brewing and distilling				Main hoist	---	---	---	Fans			
Bottling machinery	---	1.00	1.25	Boom hoist	---	---	---	Centrifugal	---	1.00	1.25
Brew kettles-continuous duty	---	1.00	1.25	Trolley drive, Gantry drive	---	---	---	Cooling towers	---	---	---
Cookers-continuous duty	---	1.00	1.25	Trolley drive, Traction drive	---	---	---	Forced draft	1.25	1.25	1.25
Mash tubs-continuous duty	---	1.00	1.25	Mill duty				Induced draft	1.00	1.25	1.50
Scale hopper-frequent starts	1.00	1.25	1.50	Main hoist	---	---	---	Industrial and mine	1.00	1.25	1.50
Can filling machines	---	1.00	1.25	Auxiliary	---	---	---	Feeders			
Car dumpers	1.25	1.50	1.75	Bridge	---	---	---	Apron	---	1.25	1.50
Car pullers	1.00	1.25	1.50	Trolley travel	---	---	---	Belt	1.00	1.25	1.50
Clarifiers	---	1.00	1.25	Industrial duty				Disc	---	1.00	1.25
Classifiers	1.00	1.25	1.50	Main	---	---	---	Reciprocating	1.25	1.50	1.75
Clay working machinery				Auxiliary	---	---	---	Screw	1.00	1.25	1.50
Brick press	1.25	1.50	1.75	Bridge	---	---	---	Food industry			
Briquette machine	1.25	1.50	1.75	Trolley travel	---	---	---	Cereal cooker	---	1.00	1.25
Pug mill	1.00	1.25	1.50	Crushers				Dough mixer	1.00	1.25	1.50
Compactors	1.50	1.75	2.00	Stone or ore	1.50	1.75	2.00	Meat grinders	1.00	1.25	1.50
Compressors				Dredges				Slicers	1.00	1.25	1.50
Centrifugal	---	1.00	1.25	Cable reels	1.00	1.25	1.50	Generators and exciters	---	1.00	1.25
Lobe	1.00	1.25	1.50	Conveyors	1.00	1.25	1.50	Hammer mills	1.50	1.50	1.75
Reciprocating, multi-cylinder	1.00	1.25	1.50	Cutter head drives	1.25	1.50	1.75	Hoists			
Reciprocating, single-cylinder	1.25	1.50	1.75	Pumps	1.00	1.25	1.50	Heavy duty	1.25	1.50	1.75
Conveyors-general purpose				Screen drives	1.25	1.50	1.75	Medium duty	1.00	1.25	1.50
Uniformly loaded or fed	---	1.00	1.25	Stackers	1.00	1.25	1.50	Skip hoist	1.00	1.25	1.50
Not uniformly fed	1.00	1.25	1.50	Winches	1.00	1.25	1.50	Laundry			
Reciprocating or shaker	1.25	1.50	1.75	Elevators				Tumblers	1.00	1.25	1.50
				Bucket	1.00	1.25	1.50	Washers	1.25	1.25	1.50
				Centrifugal discharge	---	1.00	1.25				
				Escalators	---	---	---				
				Freight	---	---	---				
				Gravity discharge	---	1.00	1.25				

Continued On Next Page

A.G.M.A. Service Factors: Worm Gear Reducers & Gearmotors (Continued)

Application	Total Operation			Application	Total Operation			Application	Total Operation		
	< 3 Hrs. Per Day	3-10 Hrs. Per Day	> 10 Hrs. Per Day		< 3 Hrs. Per Day	3-10 Hrs. Per Day	> 10 Hrs. Per Day		< 3 Hrs. Per Day	3-10 Hrs. Per Day	> 10 Hrs. Per Day
Lumber industry				Paper mills				Pumps			
Barkers-spindle feed	1.25	1.25	1.50	Agitator (mixer)	1.50	1.50	1.50	Centrifugal	---	1.00	1.25
Main drive	1.50	1.50	1.50	Agitator for pure liquors	1.25	1.25	1.25	Proportioning	---	---	---
Conveyors-burner	1.25	1.25	1.50	Barking drums	1.75	1.75	1.75	Reciprocating	1.00	1.25	1.50
Main or heavy duty	1.50	1.50	1.50	Barkers - mechanical	1.75	1.75	1.75	Single acting, 3 or more	---	---	---
Main log	1.50	1.50	1.75	Beater	1.50	1.50	1.50	cylinders	1.00	1.25	1.50
Re-saw, merry-go-round	1.25	1.25	1.50	Breaker stack	1.25	1.25	1.25	Double acting, 2 or more	1.00	1.25	1.50
Conveyors				Calendar 2)	1.25	1.25	1.25	cylinders	---	---	---
Slab	1.50	1.50	1.75	Chipper	1.75	1.75	1.75	Rotary	---	1.00	1.50
Transfer	1.25	1.25	1.50	Chip feeder	1.50	1.50	1.50	Gear type	---	1.00	1.25
Chains				Coating rolls	1.25	1.25	1.25	Lobe	---	1.00	1.25
Floor	1.50	1.50	1.50	Conveyors				Vane	---	---	---
Green	1.50	1.50	1.50	Chip, bark, chemical	1.25	1.25	1.25	Rubber industry			
Cut-off saws				Log (including slab)	1.75	1.75	1.75	Intensive internal mixers			
Chain	1.50	1.50	1.50	Couch rolls	1.25	1.25	1.25	Batch mixers	1.50	1.70	1.75
Drag	1.50	1.50	1.50	Cutter	1.75	1.75	1.75	Continuous mixers	1.25	1.50	1.50
Debarking drums	1.50	1.50	1.75	Cylinder molds	1.25	1.25	1.25	Mixing mill - 2 smooth rolls (if			
Feeds				Dryers 2)				corrugated rolls are used, then			
Edger	1.25	1.25	1.50	Paper machine	1.25	1.25	1.25	use the same service factors			
Gang	1.50	1.50	1.50	Conveyor type	1.25	1.25	1.25	that are used for a cracker warmer)	1.50	1.50	1.50
Trimmer	1.25	1.25	1.50	Embosser	1.25	1.25	1.25	Batch drop mill - 2 smooth rolls	1.50	1.50	1.50
Log deck	1.50	1.50	1.50	Extruder	1.50	1.50	1.50	Cracker warmer-2rolls; 1 corrugated roll	1.75	1.75	1.75
Log hauls-incline-well type	1.50	1.50	1.50	Fourdrinier rolls	1.25	1.25	1.25	Cracker - 2 corrugated rolls	1.75	1.75	1.75
Log turning devices	1.50	1.50	1.50	(includes lump breaker, dandy				Holding, feed & blend mill - 2 rolls	1.25	1.25	1.25
Planer feed	1.25	1.25	1.50	roll, wire turning, and return rolls)	1.25	1.25	1.25	Refiner - 2 rolls	1.50	1.50	1.50
Planer tilting hoists	1.50	1.50	1.50	Jordan	1.25	1.25	1.25	Calenders	1.50	1.50	1.50
Rolls-live-off bearing-roll cases	1.50	1.50	1.50	Kiln drive	1.50	1.50	1.50	Sand muller	1.00	1.25	1.50
Sorting table	1.25	1.50	1.50	Mt. Hope roll	1.25	1.25	1.25	Sewage disposal equipment			
Tipple hoist	1.25	1.25	1.50	Paper rolls	1.25	1.25	1.25	Bar screens	---	1.00	1.25
Transfers				Platter	1.50	1.50	1.50	Chemical feeders	1.00	1.00	1.25
Chain	1.50	1.50	1.50	Presses - felt & suction	1.25	1.25	1.25	Dewatering screens	1.00	1.25	1.50
Craneway	1.50	1.50	1.50	Pulper	1.50	1.50	1.75	Scum breakers	1.00	1.25	1.50
Tray drives	1.25	1.25	1.50	Pumps - vacuum	1.50	1.50	1.50	Slow or rapid mixers	1.00	1.25	1.50
Veneer lathe drives	---	---	---	Reel (surface type)	1.25	1.25	1.50	Sludge collectors	1.00	1.00	1.25
Metal mills				Screens				Thickeners	1.00	1.25	1.50
Draw bench carriage and main drive	1.00	1.25	1.50	Chip	1.50	1.50	1.50	Vacuum filters	1.00	1.25	1.50
Runout table				Rotary	1.50	1.50	1.50	Screens			
Non-reversing, Group drives	1.00	1.25	1.50	Vibrating	1.75	1.75	1.75	Air washing	---	1.00	1.25
Non-reversing, Individual drives	1.50	1.50	1.75	Size press	1.25	1.25	1.25	Rotary - stone or gravel	1.00	1.25	1.50
Reversing	1.50	1.50	1.75	Super calender 3)	1.25	1.25	1.25	Traveling water intake	---	1.00	1.25
Slab pushers	1.25	1.25	1.50	Thickener (AC motor)	1.50	1.50	1.50	Sugar industry			
Shears	1.50	1.50	1.75	(DC motor)	1.25	1.25	1.25	Beet slicer	1.50	1.50	1.75
Wire drawing	1.00	1.25	1.50	Washer (AC motor)	1.50	1.50	1.50	Cane knives	1.50	1.50	1.50
Wire winding machine	1.00	1.25	1.50	(DC motor)	1.25	1.25	1.25	Crushers	1.50	1.50	1.50
Metal strip processing machinery				Wind and unwind stand	1.00	1.00	1.00	Mills (low speed end)	1.50	1.50	1.50
Bridles	1.25	1.25	1.50	Winders (surface type)	1.25	1.25	1.25	Textile industry			
Coilers and uncoilers	1.00	1.00	1.25	Yankee dryers 2)	1.25	1.25	1.25	Batchers	1.00	1.25	1.50
Edge trimmers	1.00	1.25	1.50	Plastic industry				Calenders	1.00	1.25	1.50
Flatteners	1.25	1.25	1.50	Primary processing				Cards	1.00	1.25	1.50
Loopers (accumulators)	1.00	1.00	1.00	Intensive internal mixers				Dry cans	1.00	1.25	1.50
Pinch rolls	1.25	1.25	1.50	Batch mixers	1.75	1.75	1.75	Dryers	1.00	1.25	1.50
Scrap choppers	1.00	1.25	1.50	Continuous mixers	1.50	1.50	1.50	Dyeing machinery	1.00	1.25	1.50
Shears	1.50	1.50	1.75	Batch drop mill - 2 smooth rolls	1.25	1.25	1.25	Looms	1.00	1.25	1.50
Slitters	1.00	1.25	1.50	Continuous feed, holding, blend mill	1.25	1.25	1.25	Mangles	1.00	1.25	1.50
Mills, rotary type				Compounding mill	1.25	1.25	1.25	Nappers	1.00	1.25	1.50
Ball & rod				Calenders	1.50	1.50	1.50	Pads	1.00	1.25	1.50
Spur ring gear	1.50	1.50	1.75	Secondary processing				Slashers	1.00	1.25	1.50
Helical ring gear	1.50	1.50	1.50	Blow molders	1.50	1.50	1.50	Soapers	1.00	1.25	1.50
Direct connected	1.50	1.50	1.75	Coating	1.25	1.25	1.25	Spinners	1.00	1.25	1.50
Cement kilns	1.50	1.50	1.50	Film	1.25	1.25	1.25	Tenter frames	1.00	1.25	1.50
Dryers & coolers	1.50	1.50	1.50	Pipe	1.25	1.25	1.25	Washers	1.00	1.25	1.50
Mixers				Pre-plasticizers	1.50	1.50	1.50	Winders	1.00	1.25	1.50
Concrete	1.00	1.25	1.50	Rods	1.25	1.25	1.25				
				Sheet	1.25	1.25	1.25				
				Tubing	1.25	1.25	1.50				
				Pullers - barge haul	1.00	1.50	1.75				

4
A.G.M.A. SERVICE FACTOR
AND LOAD CLASS INFO.

A.G.M.A. Load Classifications for Shaft Mount Reducers

Application	Total Operation			Application	Total Operation			Application	Total Operation		
	< 3 Hrs. Per Day	3-10 Hrs. Per Day	> 10 Hrs. Per Day		< 3 Hrs. Per Day	3-10 Hrs. Per Day	> 10 Hrs. Per Day		< 3 Hrs. Per Day	3-10 Hrs. Per Day	> 10 Hrs. Per Day
Agitators (mixers)				Laundry				Paper mills (Continued)			
Pure liquids	I	I	II	Tumblers	II	II	II	Screens	II	II	II
Liquids and solids	I	II	II	Washers	II	II	III	Chip	II	II	II
Liquids-variable density	I	II	II	Lumber industry				Rotary	II	II	II
Blowers				Barkers-spindle feed	II	II	II	Vibrating	III	III	III
Centrifugal	I	I	II	Main drive	III	III	III	Size press	II	II	II
Lobe	I	II	II	Conveyors-burner	II	II	II	Super calender (3)	II	II	II
Vane	I	II	II	Main or heavy duty	II	II	II	Thickener (AC motor)	II	II	II
Brewing and distilling				Main log	III	III	III	(DC motor)	II	II	II
Bottling machinery	I	I	II	Re-saw, merry-go-round	II	II	II	Washer (AC motor)	II	II	II
Brew kettles-continuous duty	II	II	II	Conveyors				(DC motor)	II	II	II
Cookers-continuous duty	II	II	II	Slab	III	III	III	Wind and unwind stand	I	I	I
Mash tubs-continuous duty	II	II	II	Transfer	II	II	II	Winders (surface type)	II	II	II
Scale hopper-frequent starts	II	II	II	Chains				Yankee dryers (2)	II	II	II
Can filling machines	I	I	II	Floor	II	II	II	Plastic industry			
Car dumpers	I	III	III	Green	II	II	III	Primary processing			
Car pullers	I	I	II	Cut-off saws				Intensive internal mixers			
Clarifiers	I	I	II	Chain	II	II	III	Batch mixers	III	III	III
Classifiers	I	II	II	Drag	II	II	III	Continuous mixers	II	II	II
Clay working machinery				Debarking drums	III	III	III	Batch drop mill - 2 smooth rolls	II	II	II
Brick press	II	III	III	Feeds				Continuous feed, holding, blend mill	II	II	II
Brigquette machine	II	III	III	Edger	II	II	II	Calenders	II	II	II
Pug mill	I	II	II	Gang	III	III	III	Secondary processing			
Compactors	III	III	III	Trimmer	II	II	II	Blow molders	II	II	II
Compressors				Log deck	III	III	III	Coating	II	II	II
Centrifugal	I	I	II	Log hauls-incline-well type	III	III	III	Film	III	III	III
Lobe	I	II	II	Log turning devices	III	III	III	Pipe	II	II	II
Reciprocating, multi-cylinder	II	II	III	Planer feed	I	I	II	Pre-plasticizers	II	II	II
Reciprocating, single-cylinder	III	III	III	Planer tilting hoists	II	II	II	Rods	II	II	II
Cranes (1)				Rolls-live-off bearing-roll cases	III	III	III	Sheet	II	II	II
Dry dock				Sorting table	II	II	II	Tubing	II	II	II
Main hoist	2.50	2.50	2.50	Tipple hoist	II	II	II	Pullers - barge haul	II	II	II
Auxiliary hoist	2.50	2.50	3.00	Transfers				Pumps			
Boom hoist	2.50	2.50	3.00	Chain	II	II	III	Centrifugal	I	I	II
Slewing drive	2.50	2.50	3.00	Crane way	II	II	III	Proportioning	II	II	II
Traction drive	3.00	3.00	3.00	Tray drives	II	II	II	Reciprocating			
Container				Veneer lathe drives	II	II	II	Single acting, 3 or more cylinders	II	II	II
Main hoist	3.00	3.00	3.00	Metal mills				Double acting, 2 or more	II	II	II
Boom hoist	2.00	2.00	2.00	Draw bench carriage and main drive	II	II	II	Cylinders			
Trolley drive, Gantry drive	3.00	3.00	3.00	Runout table	II	II	II	Rotary	I	I	II
Trolley drive, Traction drive	2.00	2.00	2.00	Non-reversing, Group drives	II	II	II	Gear type	I	I	II
Mill duty				Non-reversing, Individual drives	III	III	III	Lobe	I	I	II
Main hoist	3.50	3.50	3.50	Reversing	III	III	III	Vane	I	I	II
Auxiliary	3.50	3.50	3.50	Slab pushers	II	II	II	Rubber industry			
Bridge	2.50	3.00	3.00	Shears	III	III	III	Intensive internal mixers			
Trolley travel	2.50	3.00	3.00	Wire drawing	II	II	II	Batch mixers	III	III	III
Industrial duty				Wire winding machine	II	II	II	Continuous mixers	II	II	II
Main	2.50	2.50	3.00	Metal strip processing machinery				Mixing mill - 2 smooth rolls	II	II	II
Auxiliary	2.50	2.50	3.00	Bridles	II	II	II	Mixing mill - 1 or 2 corrugated rolls	III	III	III
Bridge	2.50	3.00	3.00	Coilers and uncoilers	I	I	II	Batch drop mill - 2 smooth rolls	II	II	II
Trolley travel	2.50	3.00	3.00	Edge trimmers	I	II	II	Cracker warmer - 2 rolls, 1 corrugated roll	III	III	III
Crushers				Flatteners	II	II	II	Cracker - 2 corrugated rolls	III	III	III
Stone or ore	III	III	III	Loopers (accumulators)	I	I	I	Holding, feed & blend mill - 2 rolls	II	II	II
Dredges				Pinch rolls	II	II	II	Refiner - 2 rolls	II	II	II
Cable reels	II	II	II	Scrap choppers	II	II	II	Calenders	II	II	II
Conveyors	II	II	II	Shears	III	III	III	Sand muller	II	II	II
Cutter head drives	III	III	III	Slitters	I	II	II	Sewage disposal equipment			
Pumps	III	III	III	Mills, rotary type				Bar screens	II	II	II
Screen drives	III	III	III	Ball & rod				Chemical feeders	II	II	II
Stackers	III	III	III	Spur ring gear	III	III	III	Dewatering screens	II	II	II
Winches	II	II	II	Helical ring gear	II	II	II	Scum breakers	II	II	II
Elevators				Direct connected	III	III	III	Slow or rapid mixers	II	II	II
Bucket	I	II	II	Cement kilns	II	II	II	Sludge collectors	II	II	II
Centrifugal discharge	I	I	II	Dryers & coolers	II	II	II	Thickeners	II	II	II
Escalators	I	I	II	Mixers				Vacuum filters	II	II	II
Freight	I	II	II	Concrete	II	II	II	Screens			
Gravity discharge	I	I	II	Paper mills				Air washing	I	I	II
Extruders				Agitator (mixer)	II	II	II	Rotary - stone or gravel	II	II	II
General	II	II	II	Agitator for pure liquors	II	II	II	Traveling water intake	I	I	I
Plastics				Barking drums	III	III	III	Screw conveyors			
Variable speed drive	III	III	III	Barkers - mechanical	III	III	III	Uniformly loaded or fed	I	I	II
Fixed speed drive	III	III	III	Beater	III	III	III	Heavy duty	I	I	II
Rubber				Breaker stack	II	II	II	Sugar industry			
Continuous screw operation	III	III	III	Calendar (2)	II	II	II	Beet slicer	III	III	III
Intermittent screw operation	III	III	III	Chipper	III	III	III	Cane knives	II	II	II
Fans				Chip feeder	II	II	II	Crushers	II	II	II
Centrifugal	I	I	II	Coating rolls	II	II	II	Mills (low speed end)	III	III	III
Cooling towers	III	III	III	Conveyors				Textile industry			
Forced draft	II	II	II	Chip, bark, chemical	II	II	II	Batchers	II	II	II
Induced draft	II	II	II	Log (including slab)	III	III	III	Calenders	II	II	II
Industrial and mine	II	II	II	Couch rolls	II	II	II	Cards	II	II	II
Feeders				Cutter	III	III	III	Dry cans	II	II	II
Apron	I	II	II	Cylinder molds	II	II	II	Driers	II	II	II
Belt	I	II	II	Dryers (2)	II	II	II	Dyeing machinery	II	II	II
Disc	I	I	II	Paper machine				Looms	II	II	II
Reciprocating	II	III	III	Conveyor type	II	II	II	Mangles	II	II	II
Screw	I	II	II	Embosses	II	II	II	Nappers	II	II	II
Food industry				Extruder	II	II	II	Pads	II	II	II
Cereal cooker	I	I	II	Fourdrinier rolls	II	II	II	Slashers	II	II	II
Dough mixer	II	II	II	(includes lump breaker, dandy roll, wire turning, and return rolls)	II	II	II	Soapers	II	II	II
Meat grinders	II	II	II	Jordan	II	II	II	Spinners	II	II	II
Slicers	I	II	II	Kiln drive	II	II	II	Tenter frames	II	II	II
Generators and exciters	II	II	II	Mt. Hope roll	II	II	II	Washers	II	II	II
Hammer mills	III	III	III	Paper rolls	II	II	II	Winders	II	II	II
Hoists				Platter	II	II	II				
Heavy duty	III	III	III	Presses - felt & suction	II	II	II				
Medium duty	II	II	II	Pulper	III	III	III				
Skip hoist	II	II	II	Pumps - vacuum	II	II	II				
				Reel (surface type)	II	II	II				

4 A.G.M.A. SERVICE FACTOR AND LOAD CLASS INFO.

(1) Crane drives are to be selected based on gear tooth bending strength, using the numeric service factors in this table. Service factor in durability shall be a minimum of 1.00.
 (2) Anti-friction bearings only.
 (3) A class number of I may be applied at base speed of a super calender operating over-speed range or part range constant horsepower, part range constant torque where the constant horsepower speed range is greater than 1.5 to 1. A class number of II is applicable to super calenders operating over the entire speed range at constant torque or where the constant horsepower speed range is less than 1.5 to 1.

Terms and Conditions of Sale

1. **WARRANTY – WORLDWIDE ELECTRIC CORPORATION (“SELLER”) MAKES NO WARRANTY OF MERCHANTABILITY OR FITNESS FOR ANY PARTICULAR PURPOSE IN RESPECT TO THE PRODUCT AND THERE IS NO WARRANTY EXPRESS OR IMPLIED EXCEPT THAT THE PRODUCT SHALL BE OF THE KIND AND QUALITY DESCRIBED IN THE SPECIFICATIONS.**
2. **DELIVERY – Unless otherwise stated, delivery will be made f.o.b. point of shipment. Shipping dates are approximate and are based on the prompt receipt of all necessary information from the purchaser.**
3. **LOSS, DAMAGE OR DELAY – Seller shall not be liable for loss, damage, detention, or delay resulting from causes beyond its reasonable control or from fire, strike or other concerted action of workmen, act or omission of any Governmental authority or of the Purchaser, insurrection or riot, embargo, car shortage, wreck or delay in transportation, or inability to obtain necessary labor, materials, or manufacturing facilities from usual sources. In the event of delay due to any such cause, the date of delivery will be postponed by such length of time as may be reasonably necessary to compensate for the delay.**
4. **RISK OF LOSS – Risk of loss of the product, or any part of the same, shall pass to the Purchaser upon delivery of such product or part.**
5. **PAYMENTS – If, in the judgment of Seller, the financial condition of the Purchaser at any time prior to shipment does not support the terms of payment specified, Seller may require full or partial payment in advance. Pro-rata payments shall become due as shipments are made. If shipments are delayed by the Purchaser, payments shall become due from date when Seller is prepared to make shipment. If manufacture is delayed by the Purchaser, payment shall be made based on the contract price and percent of completion. Products held for Purchaser shall be at the risk and expense of the Purchaser.**
6. **PAYMENT BY CREDIT CARD – If Seller accepts payment by credit card, Purchaser agrees to pay the issuer of the credit card the total amount shown on this invoice upon presentation of a bill, without offset or deduction.**
7. **PRICES – Prices are those in effect at time of shipment. In the event of a published increase or reduction in prices by Seller, the new price will become effective immediately on the unshipped portion of the order, unless stated at the time of the change. In no case, however, will a reduction in price be retroactive to shipments made prior to the date of the price change. Purchaser’s order will be entered promptly upon acceptance by Seller and will not thereafter be subject to Cancellation nor to Deferment of Deliveries without Seller’s written consent, except upon terms which take into proper account the work already done and commitments made by Seller. Prices include the Seller’s standard packing for domestic shipments.**
8. **LIMITATION OF LIABILITY – In no event shall Seller be liable for any special, indirect, incidental, consequential or punitive damages, including but not limited to damages for lost profits or business opportunities or damage to reputation. Seller’s maximum liability for any breach of contract or sale, or any other claim related to the product sold hereunder, shall be limited to the price of the product, or portion thereof, on which such liability is based.**
9. **GOVERNING LAW/JURISDICTION/VENUE – This sale shall be governed by and construed in accordance with the laws of the State of New York, without regard to its conflicts of laws principles, and shall be deemed entered into at Seller’s principal place of business in New York. By purchasing Seller’s product, Purchaser expressly consents, for any litigation arising out of or related to the sale, to the exclusive jurisdiction and venue of the courts of competent jurisdiction located in Monroe County, New York (i.e., the U.S. District Court, Western District of New York, and the New York State Supreme Court, County of Monroe) and waives the right and hereby agrees not to assert, by way of motion, defense or otherwise in any proceeding brought in either of such courts, any claim that it is not subject to the personal jurisdiction of such court, that such proceeding is brought in an inconvenient forum, or that the venue of such proceeding is improper.**
10. **TERMINATION – Any order or contract may be terminated by the Purchaser only upon payment of reasonable charges based upon expenses already incurred and commitments made by Seller.**
11. **RETURN OF GOODS – No product or part shall be returned to the Seller without written authorization and shipping instructions first having been obtained from the Seller. Returns may be subject to freight charge and/or restocking charge, as circumstances dictate.**
12. **REPAIR POLICY – Positively no allowance will be made for repairs if made by others without Seller’s written consent.**
13. **NO ASSIGNMENT – Purchaser’s obligations are not transferable or assignable by operation of law, change of control or ownership, or otherwise, without prior written consent of Seller.**

Return Policy

1. All WorldWide Electric products (electric motors, motor controls and gearing products) that are purchased as normal stock items may be returned, with freight to be paid, back to the closest WorldWide Electric warehouse by the customer.
2. Any returned products must be new, undamaged and in original cartons/packaging. Final credit will not be issued until WorldWide Electric has verified the products/shipping cartons as such.
3. All RGA requests must be made within 90 days of original purchase.
4. If the returned products were ordered incorrectly by the customer, 20% will be levied as a restocking charge which carries a minimum \$75 charge.
5. If the customer places an order equal to or greater than the goods being returned, then the restocking charge will be 10% (minimum \$75 charge).
6. If the product being returned was originally shipped to the customer prepaid and allowed, the original freight charge will be deducted from the return credit.
7. If the returned products are not in original condition (as well as the packaging), there will be additional fees applied to repair and/or replace those parts/products.

Freight Terms

Freight terms are as follows on all orders shipped from any of our warehouses. All products can be assorted from all three divisions; motors, controls and gearing.

FedEx / UPS may be utilized for shipments under 100 lbs. and billed on a prepaid and add basis (excluding cast iron motors and gear reducer products). Customers may always choose to have their shipment sent freight collect.

\$5,000 +	Truck - Prepaid and Allowed
\$1,000 - \$4,999	Truck - 10% of Invoice - Prepaid and Add
\$0 - \$999	Truck - \$100 Minimum - Prepaid and Add

Special Freight Prepaid Programs

Worm Gear Reducers: 25 + Pieces Assorted, Prepaid and Allowed

Orders may be picked up from any of our warehouses as a will call. We would prefer a one-hour advance notification for orders to be picked up. However, allowances will be made for special rush and urgent situations. Freight terms are as follows on all orders shipped from any of our warehouses.

Additional Freight Services

Delivery Appointment	\$65.00
Liftgate Delivery	\$200.00
Residential Delivery	\$125.00
Expedited Delivery	Please Call For Quote



WORLDWIDE
ELECTRIC CORPORATION



Designed for demanding applications at affordable and competitive prices.

Industrial Products
Proven Quality



Electric Motors

- Definite Purpose Motors
- General Purpose Motors
- Fractional HP Motors
- Farm Duty Motors
- Severe Duty Motors
- Marine-Duty Motors
- Pump Motors
- Explosion Proof Motors
- IEC Motors
- Motor Accessories



Motor Controls

- Variable Frequency Drives
- Soft Starters
- Across the Line Starters
- Remote Operating Modules
- Pre-configured/Customizable Cabinets and Panels
- Pilot Devices, Safety Switches, Contactors & Relays



Generators

- Single Bearing
- Double Bearing
- Pancake

Discover More Capabilities
with Worldwide Electric's
Family of Brands



2024-2025

Gear Reducers Stock Products Catalog

Document No: GR-CAT-04.2024



WorldWide
ELECTRIC CORPORATION

**INCREDIBLE PRICING.
24/7 ONLINE ORDERING.
(OH, AND IT'S IN STOCK TOO.†)**

Call us today at **(800) 808-2131**
or browse our complete product lines at **worldwideelectric.com**

worldwideelectric.com

WorldWide Electric Corporation
3540 Winton Place
Rochester, NY 14623

†While most products are in stock in one of our distribution centers, certain conditions may lead to temporary stock shortages.