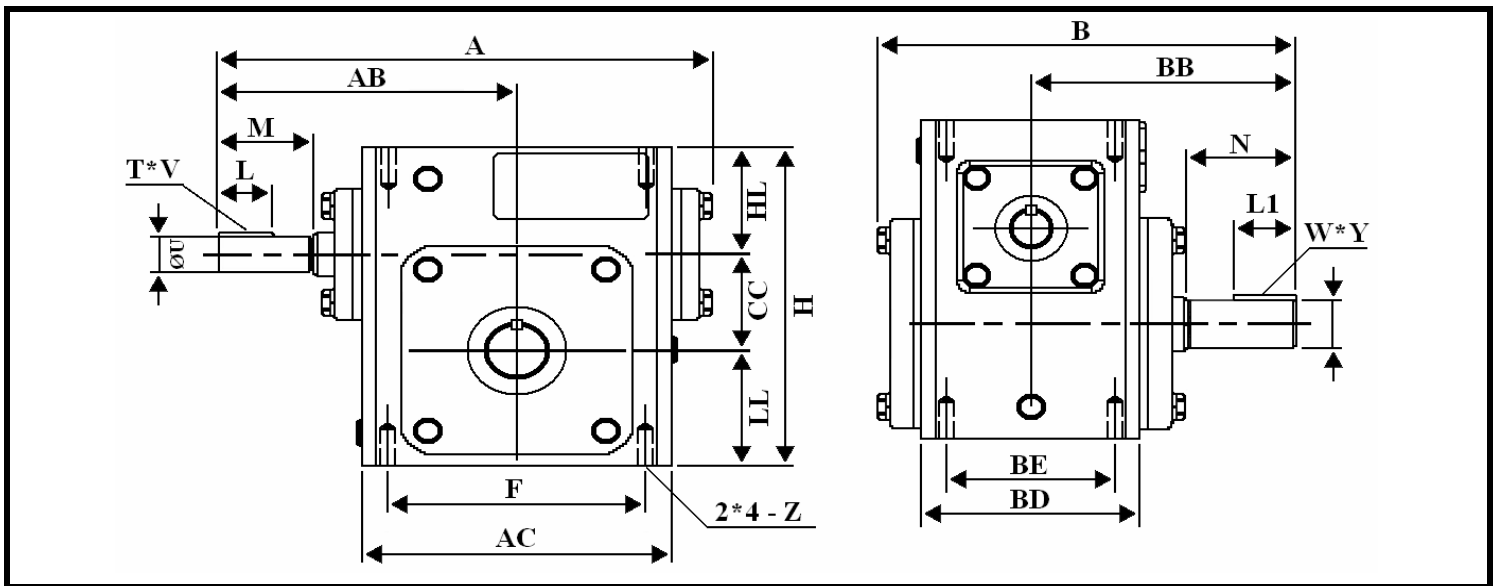
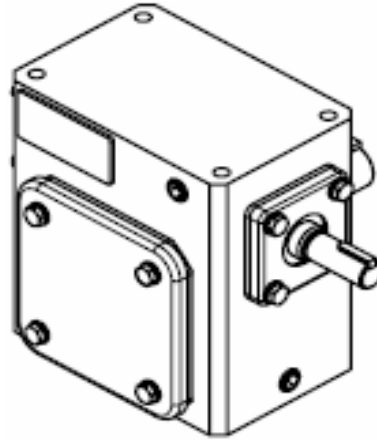


WORLDWIDE ELECTRIC CORPORATION
HdR SERIES PROGRAM - WORM GEAR SPEED REDUCERS
SHAFT INPUT - SHAFT OUTPUT - DIMENSIONS

MODEL # HdRS154-*-R-56



RIGHT HAND OUTPUT - DIMENSIONS - Inches

Size	A	AB	AC	B	BB	BD	BE	CC	F	H	HL	LL	M	N
154	7.83	4.7	4.9	6.77	4.31	3.62	2.75	1.54	4.188	5.378	1.929	1.91	1.555	1.77

Size	Z	INPUT SHAFT			OUTPUT SHAFT			NEMA FRAME	OIL (OZ.)
		L	U	T*V	L1	S	W*Y		
154	5/16-18 UNC	0.875	0.625	3/16 * 3/32	1	0.75	3/16 * 3/32	56	11.64

* Suitable For Any Ratio

