

1 2 3 4 5 6 7

A

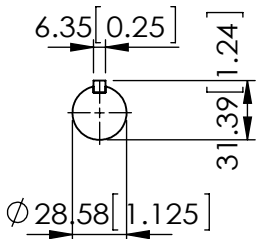
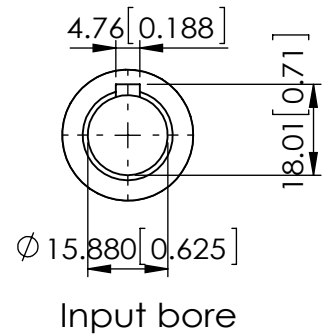
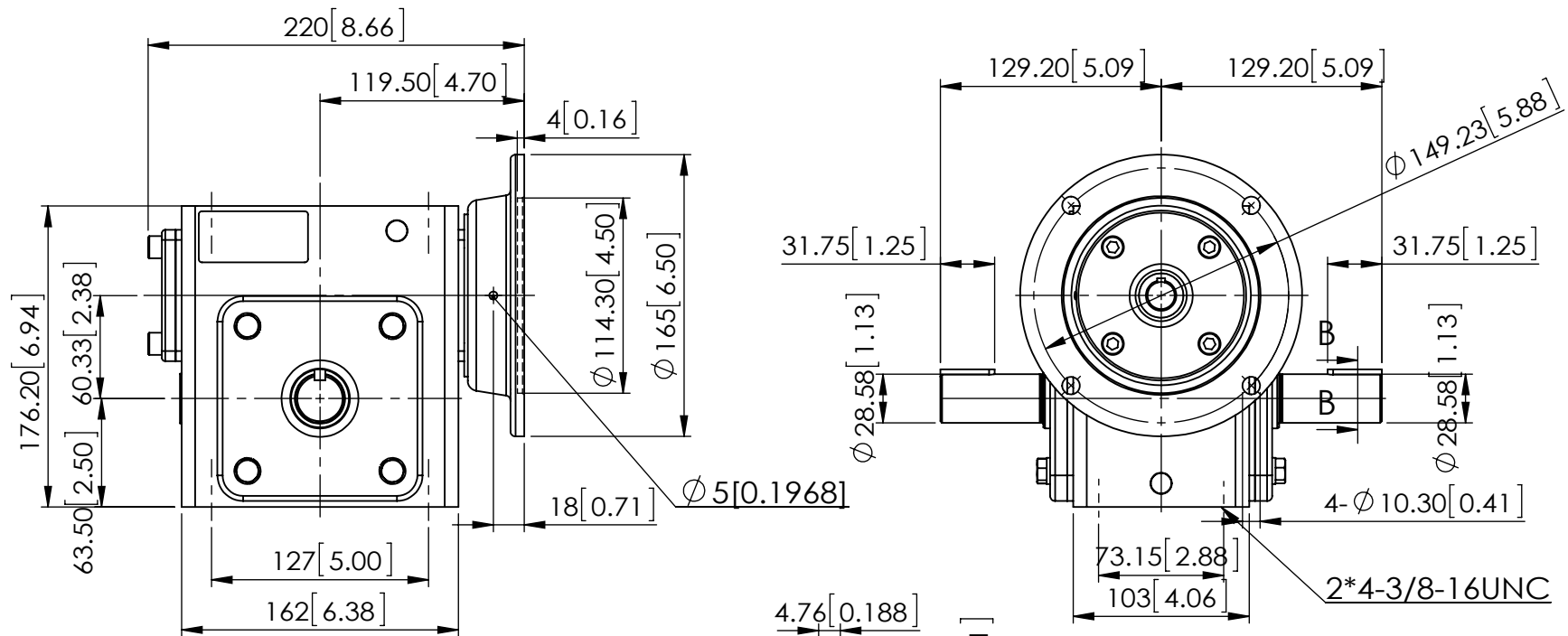
B

C

D

E

F



Output shaft

SCABBLE TOLERANCE >0 ± 0.1 >6 ± 0.2 >30 ± 0.3 >120 ± 0.5 >315 ± 0.8	DWG.	2017.09.06		<b>WORLD WIDE</b>	
	DESN.				
	APPR.				
MACHINING REQUIRED ~ NO-MACHINING ▽ 50S ▽▽ 25S ▽▽▽ 6S ANG. TOLERANCE ±0.5	DATE		NAME	TITLE	
				HdRF237-30/1-DE-56C-CUSTOMIZED	
	SCALE	1:5		DWG. NO.	WYSM061
				REV.	