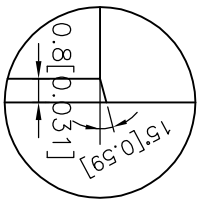
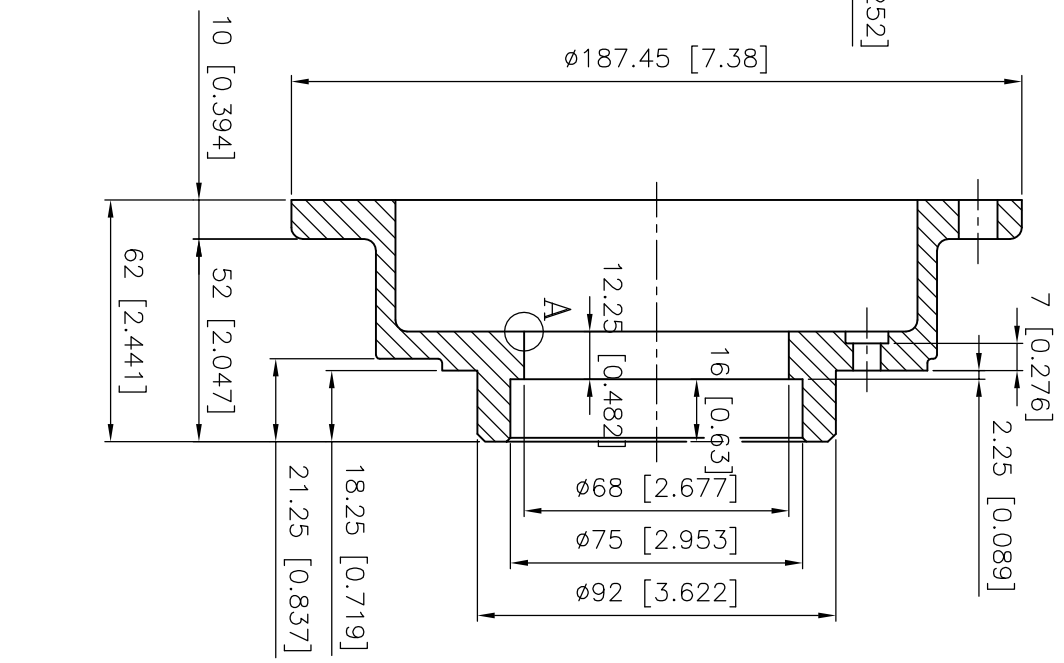
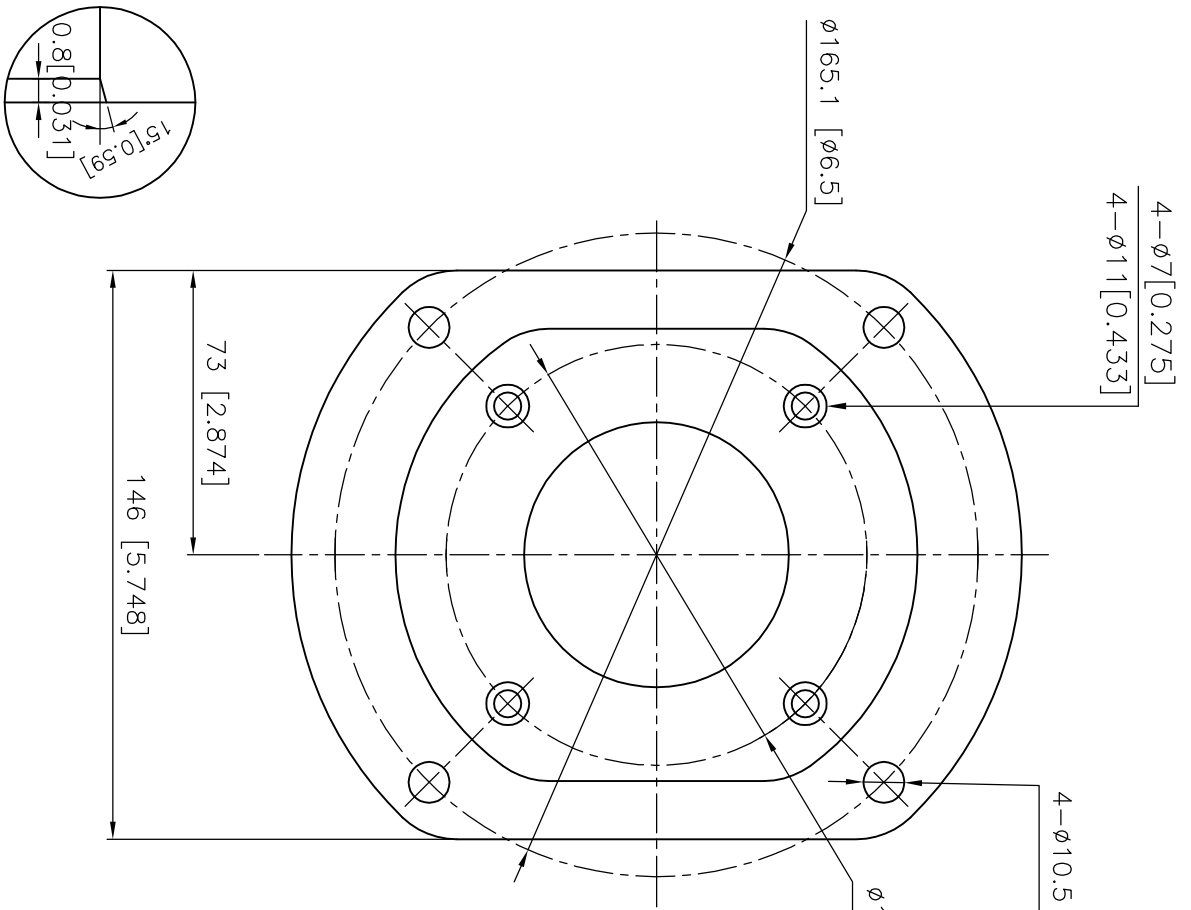


1 2 3 4 5 6 7 8



A-VIEW

ND.	SECTION	ORIGIN	MODIFICATION	DATE	IN CHARGE
1					
2					

SCABBLE TOL.	> 0	±0.1
	> 6	±0.2
	> 30	±0.3
MACHINING REQUIRED	> 120	±0.5
	> 315	±0.8
	NO MACHINING	
50S	50S	
50S	50S	
50S	50S	
ANG.	50S	

DWG	DATE	NAME	TITLE
Y.S.P	2020.03.17		HDR206-OPF
SCALE	1:1		
DWG	NO.	REV	
KFSM0531881			

WORLDWIDE