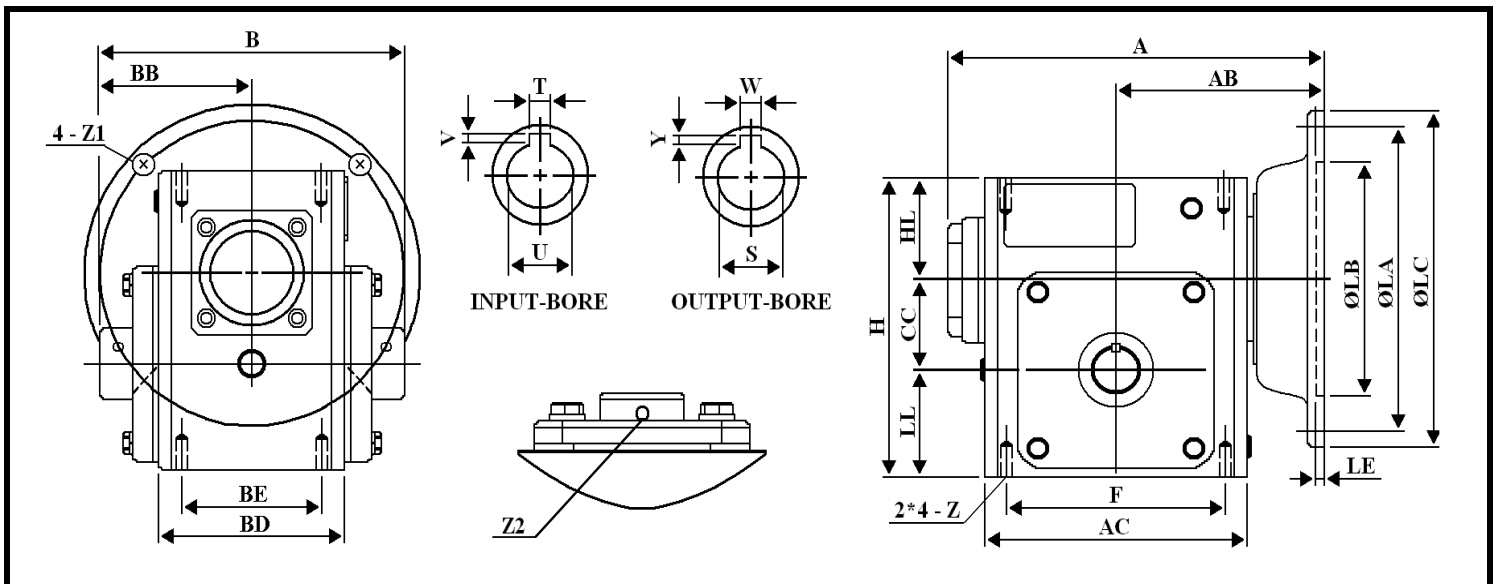
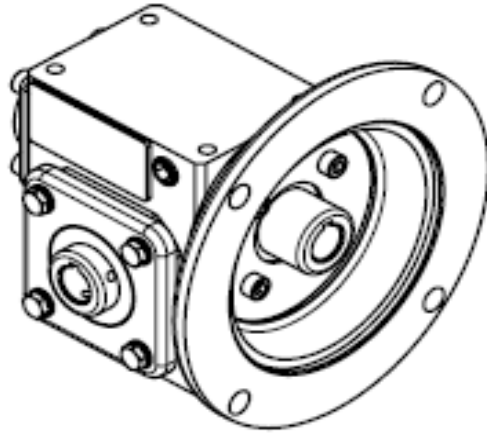


WORLDWIDE ELECTRIC CORPORATION
HdR SERIES PROGRAM - WORM GEAR SPEED REDUCERS
FLANGE INPUT - HOLLOW BORE OUTPUT - DIMENSIONS

MODEL # HdRF325-*-H-145TC



DIMENSIONS - Inches

Size	A	AB	AC	B	BB	BD	BE	CC	F	H	HL	LL	Z2	Z
325	11.42	6.063	9.016	8.76	4.38	5.748	4	3.25	7.5	9.375	2.625	3.5	5/16-24 UNF*3/8	7/16-14 UNC

Size	INPUT BORE		OUTPUT BORE		FLANGE					NEMA FRAME	OIL (OZ.)
	U	T*V	S	W*Y	LA	LB	LC	LE	Z1		
325	0.875	3/16 * 3/32	1.937	1/2 * 1/4	5.875	4.5	6.5	0.157	0.433	145TC	73.75

* Suitable For Any Ratio

