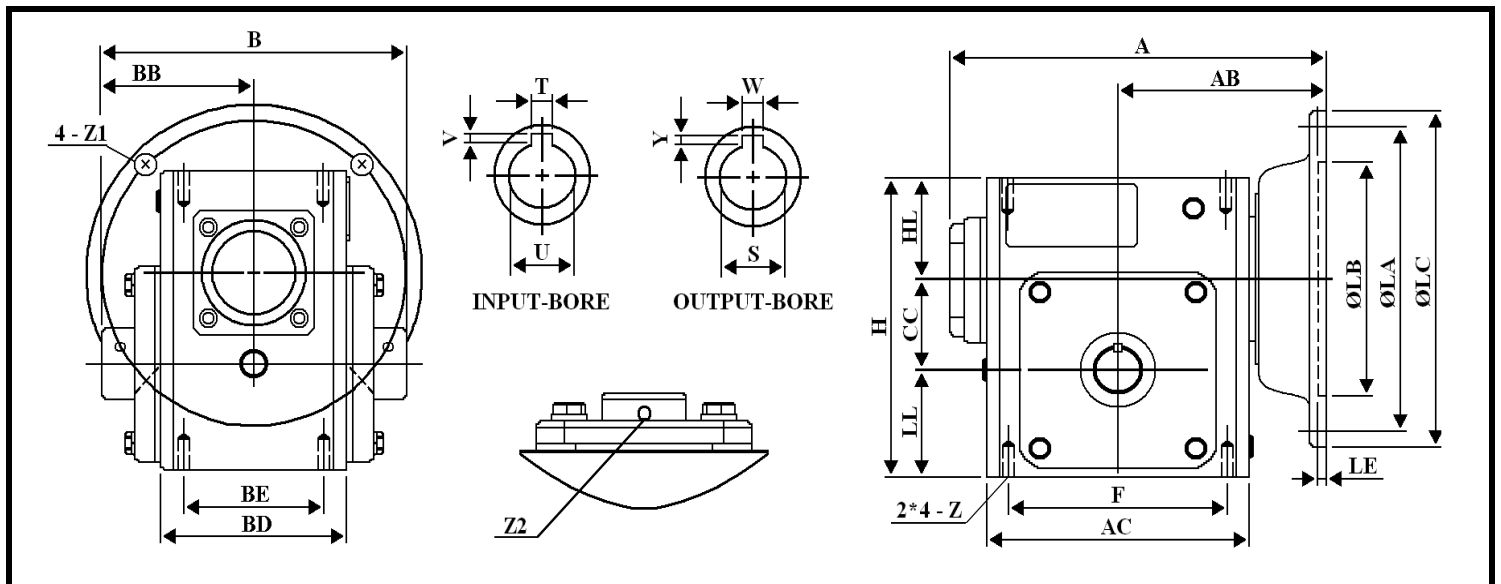
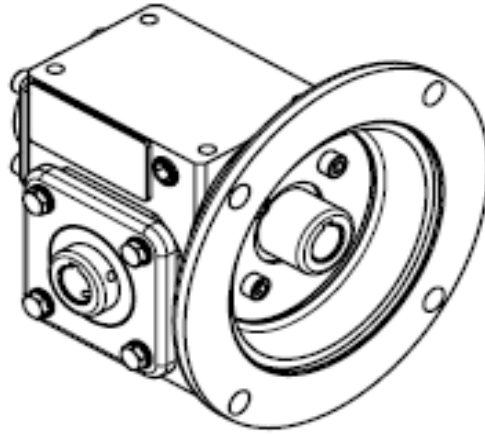


**WORLDWIDE ELECTRIC CORPORATION**  
**HdR SERIES PROGRAM - WORM GEAR SPEED REDUCERS**  
**FLANGE INPUT - HOLLOW BORE OUTPUT - DIMENSIONS**

**MODEL # HdRF325-\*-H-184TC**



**DIMENSIONS - Inches**

Size	A	AB	AC	B	BB	BD	BE	CC	F	H	HL	LL	Z2	Z
325	12.6	7.244	9.016	8.76	4.38	5.748	4	3.25	7.5	9.375	2.625	3.5	5/16-24 UNF*3/8	7/16-14 UNC

Size	INPUT BORE		OUTPUT BORE		FLANGE					NEMA FRAME	OIL (OZ.)
	U	T*V	S	W*Y	LA	LB	LC	LE	Z1		
325	1.125	1/4 * 1/8	1.937	1/2 * 1/4	8.5	7.25	9	0.2	0.551	184TC	73.75

\* Suitable For Any Ratio

