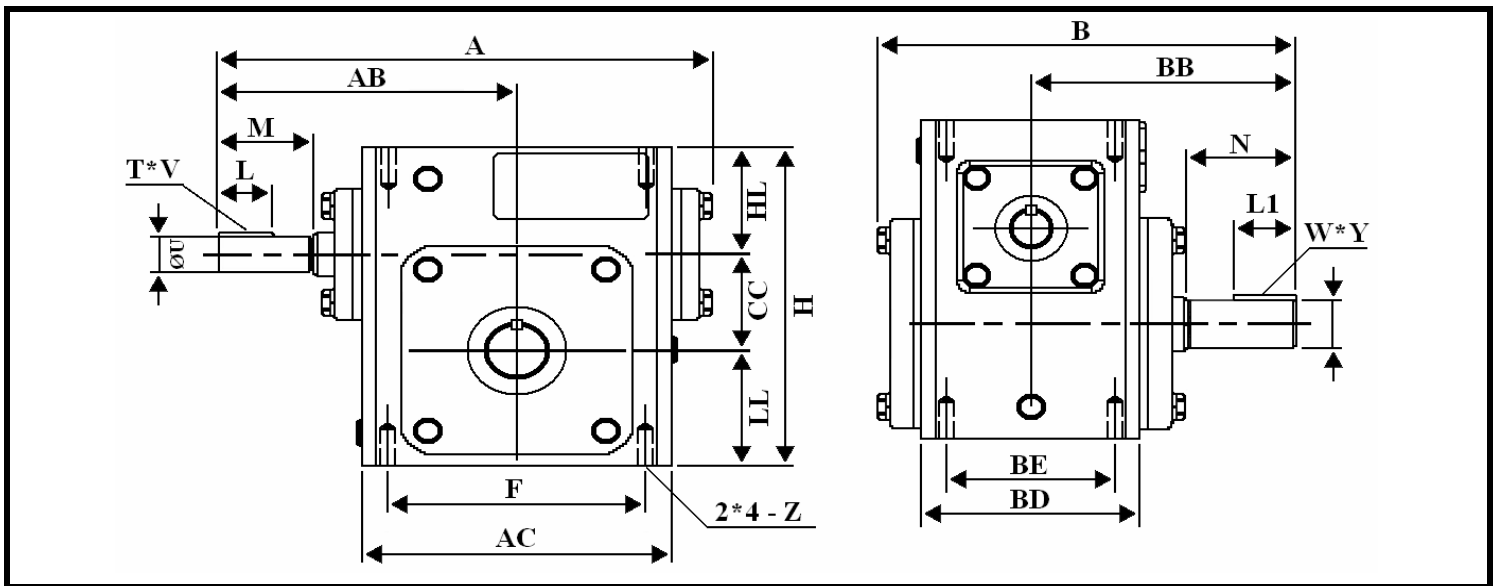
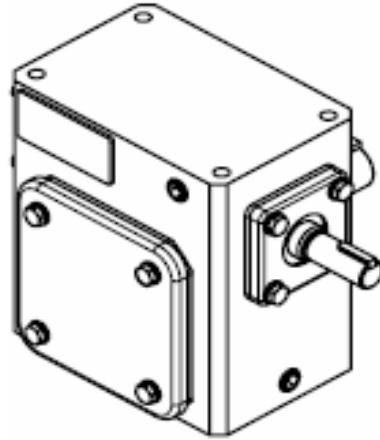


WORLDWIDE ELECTRIC CORPORATION
HdR SERIES PROGRAM - WORM GEAR SPEED REDUCERS
SHAFT INPUT - SHAFT OUTPUT - DIMENSIONS

MODEL # HdRS206-*-R-56



RIGHT HAND OUTPUT - DIMENSIONS - Inches

Size	A	AB	AC	B	BB	BD	BE	CC	F	H	HL	LL	M	N
206	8.65	5.128	5.748	7.249	4.69	3.819	2.88	2.062	5	6.375	2.032	2.281	1.555	2.09

Size	Z	INPUT SHAFT			OUTPUT SHAFT			NEMA FRAME	OIL (OZ.)
		L	U	T*V	L1	S	W*Y		
206	3/8-16 UNC	0.875	0.625	3/16 * 3/32	1.25	1	1/4 * 1/8	56	19.41

* Suitable For Any Ratio

