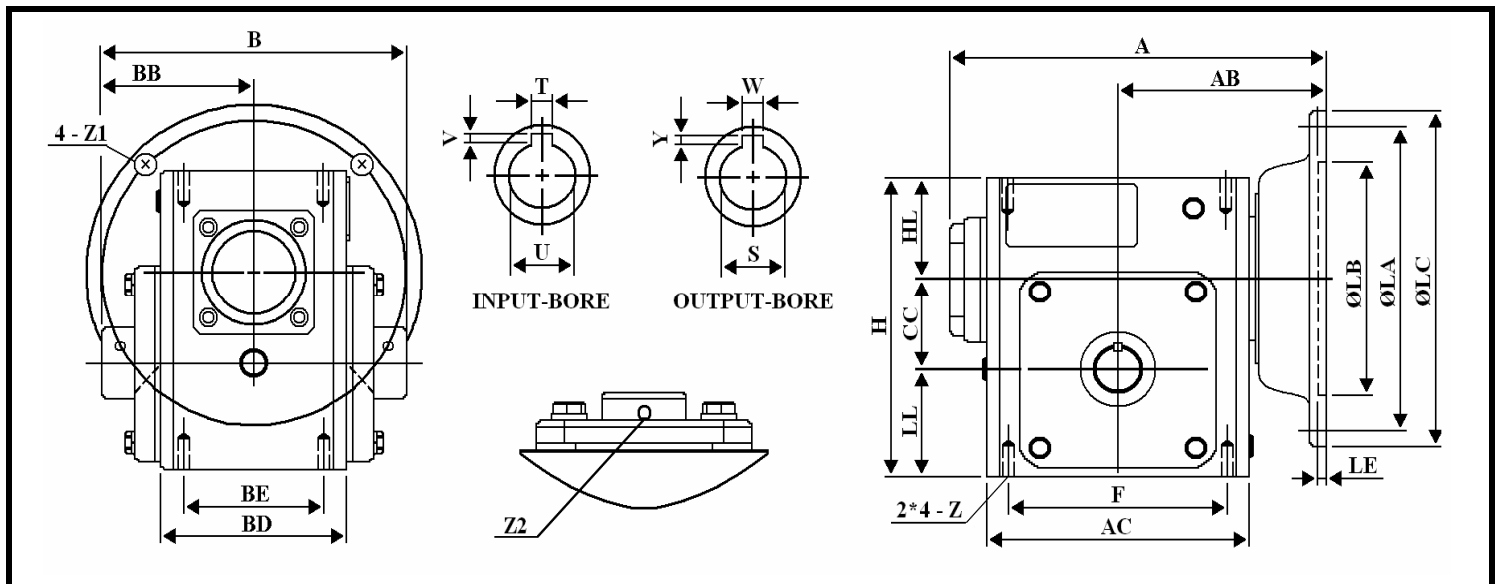
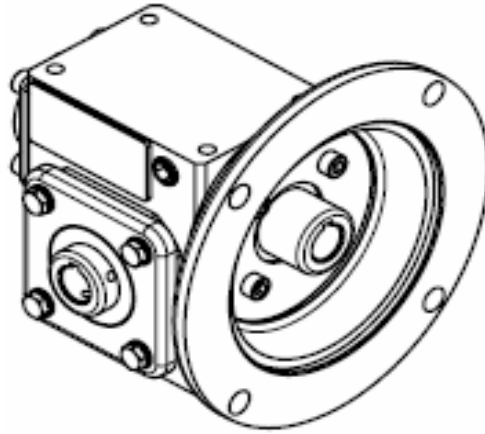


WORLDWIDE ELECTRIC CORPORATION

HdR SERIES PROGRAM - WORM GEAR SPEED REDUCERS

FLANGE INPUT - HOLLOW BORE OUTPUT - DIMENSIONS

MODEL # HdRF175-*-H-56C



DIMENSIONS - Inches

| Size | A | AB | AC | B | BB | BD | BE | CC | F | H | HL | LL | Z2 | Z |
|------|------|-------|-------|------|-------|-------|------|------|------|------|-------|-------|-------------------|----------------|
| 175 | 7.28 | 4.035 | 5.059 | 6.18 | 3.091 | 3.563 | 2.75 | 1.75 | 4.19 | 5.75 | 1.938 | 2.062 | #10-32 UNF*1/4 | 5/16-18 UNC |

| Size | INPUT BORE | | OUTPUT BORE | | FLANGE | | | | | NEMA FRAME | OIL (OZ.) |
|------|------------|-------------|-------------|------------|--------|-----|-----|-------|-------|---------------|--------------|
| | U | T*V | S | W*Y | LA | LB | LC | LE | Z1 | | |
| 175 | 0.625 | 3/16 * 3/32 | 1 | 1/4 * 7/64 | 5.875 | 4.5 | 6.5 | 0.157 | 0.433 | 56C | 11.64 |

* Suitable For Any Ratio

