

1 2 3 4 5 6 7 8

A

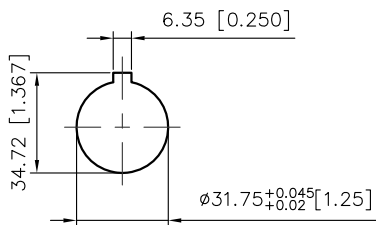
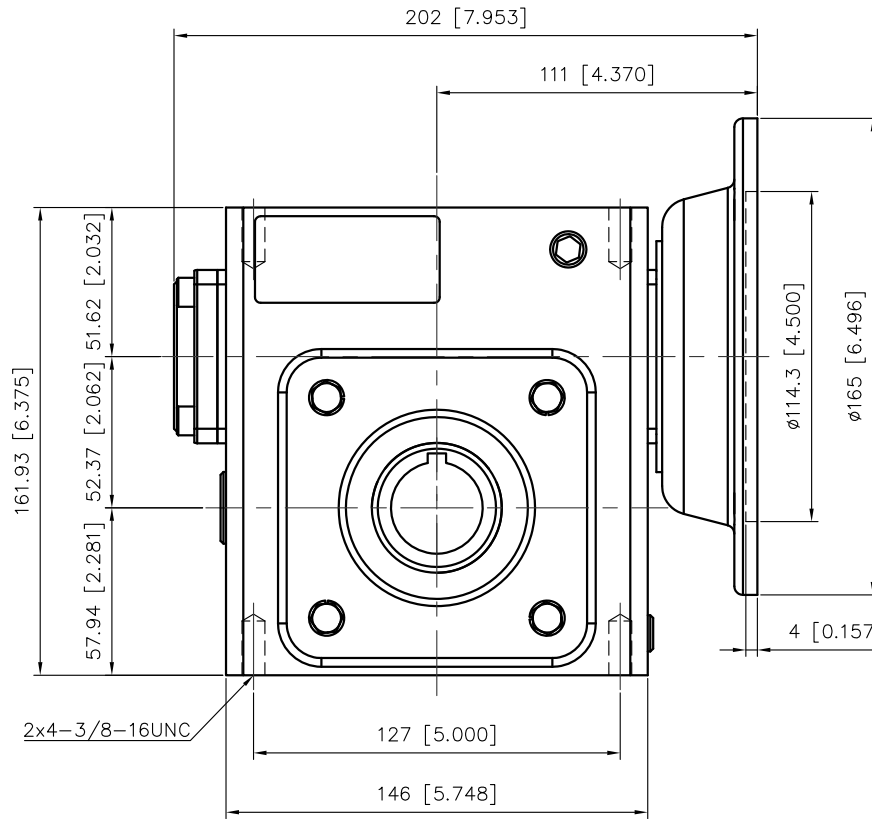
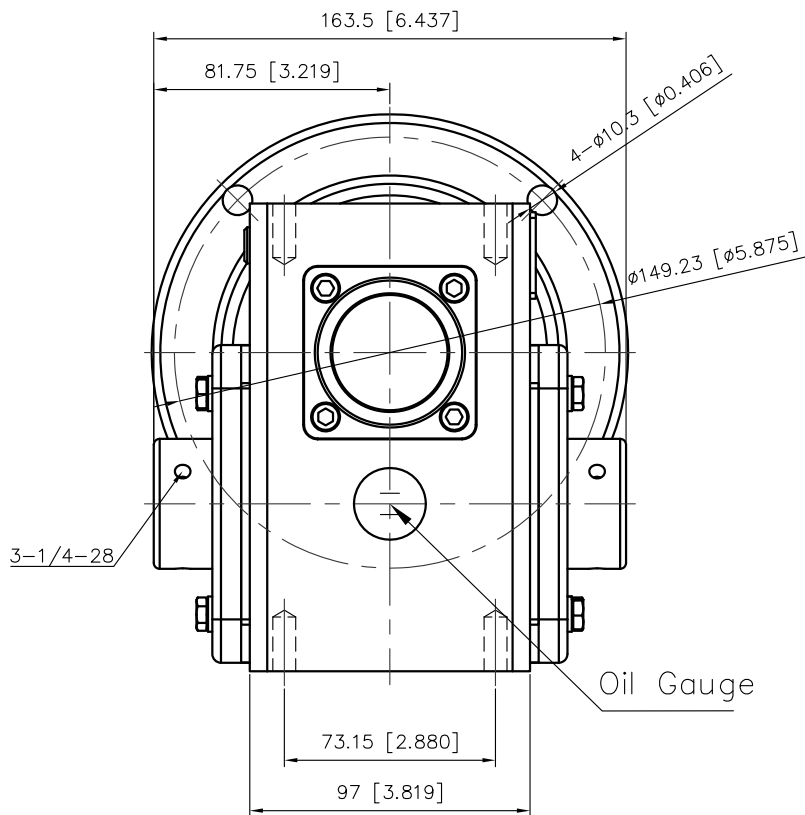
B

C

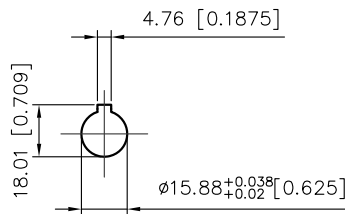
D

E

F



OUTPUT BORE



INPUT BORE

SCABBLE TOL. ∇ 0 \pm 0.1 ∇ 10 \pm 0.2 ∇ 30 \pm 0.3 ∇ 120 \pm 0.5 ∇ 315 \pm 0.8	DWG.	2023.06.17	Y.S.P	WORLDWIDE	
	DESIGN.				
APPR.					
MACHINING REQUIRED NO MACHINING ∇ 50S ∇ 250S ∇ 6S ANG. \pm 0.5	DATE		NAME	TITLE	HdRF206-H-56C-H01.25
	SCALE	1:1		DWG NO.	HdRF206-H-56C-H01.25
				REV	

NO.	SECTION	ORIGIN	MODIFICATION	DATE	IN CHARGE