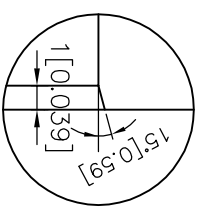
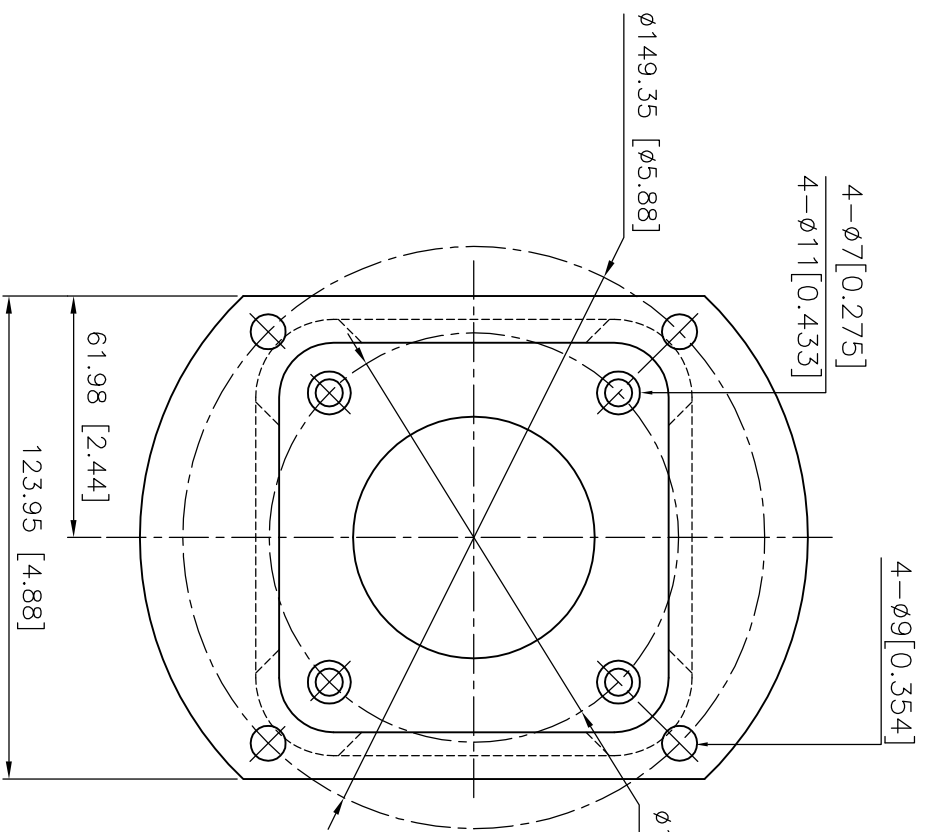
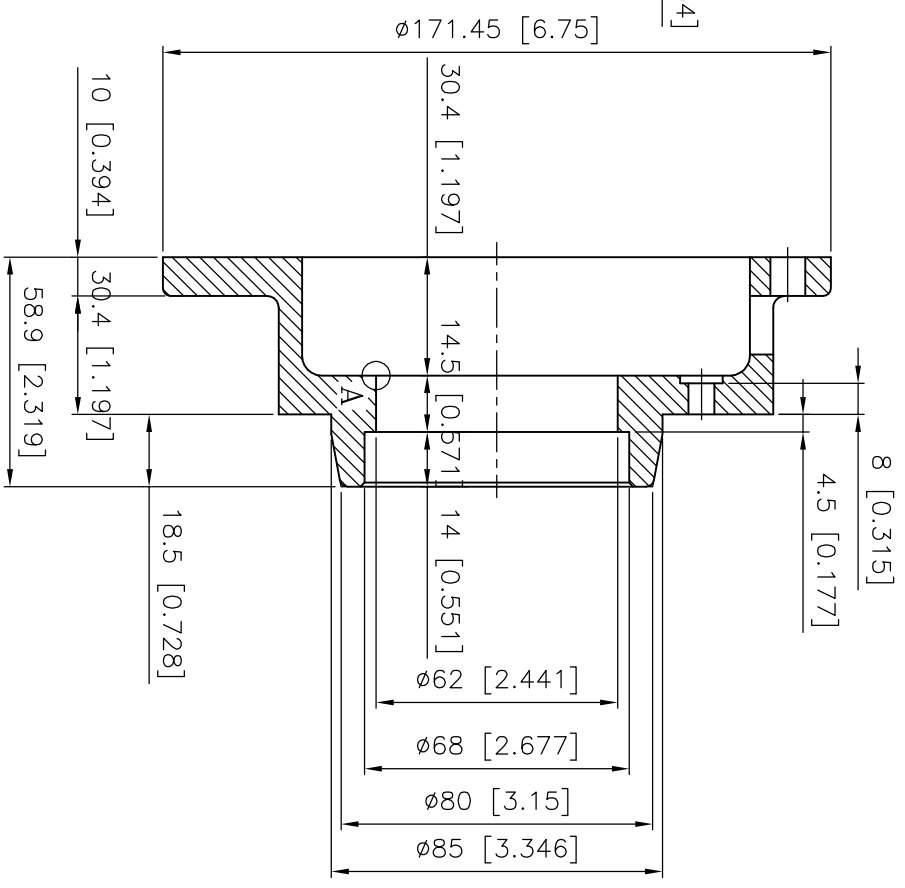


1 2 3 4 5 6 7 8



A--VIEW



ND.	SECTION	ORIGIN	MODIFICATION	DATE	IN CHARGE
1					
2					

SCALE 1:1	DWG. 2020.03.17		Y.S.P	
	DESN.		DATE	
	APPR.		NAME	
<b>WORLDWIDE</b>				
TITLE HDR175-OPF				
DWG NO. KFSM0451721				
REV A				

SCABBLE TOL.  
 >0 ±0.1  
 >6 ±0.2  
 >30 ±0.3  
 >120 ±0.5  
 >315 ±0.8  
 MACHINING REQUIRED  
 ~ NO MACHINING  
 Δ 50S  
 ▽ 50S  
 ▽ 50S  
 ▽ 50S  
 ANG. ±0.5