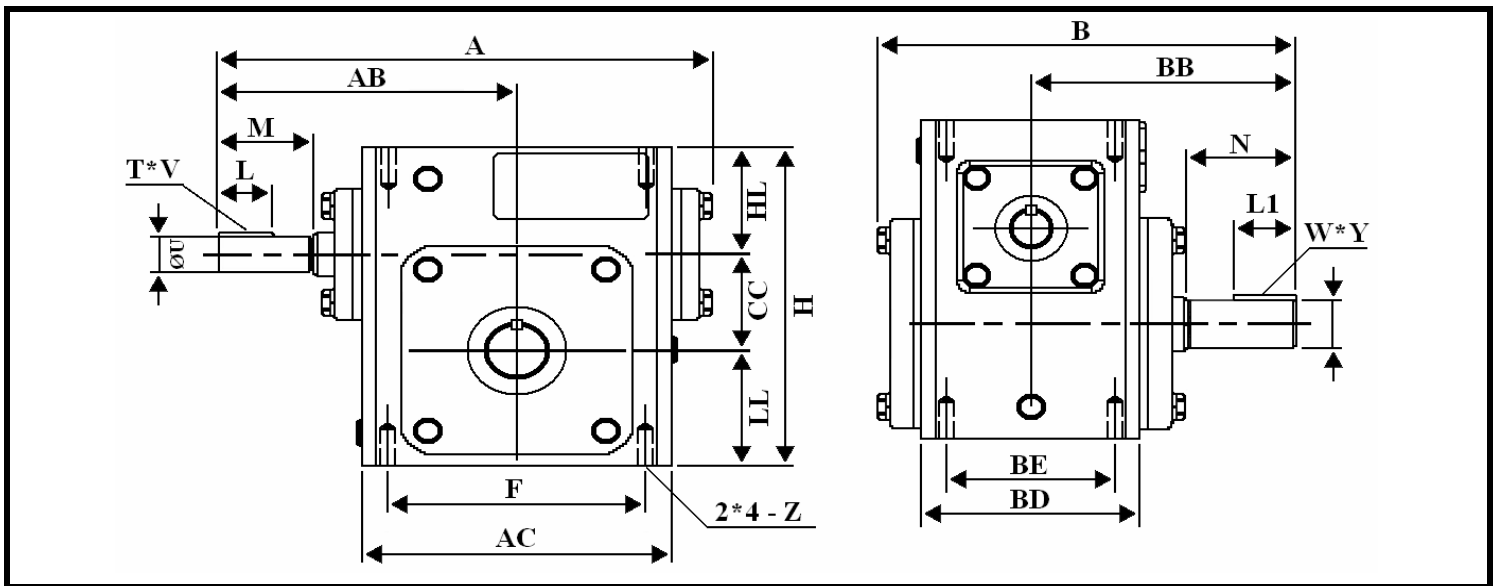
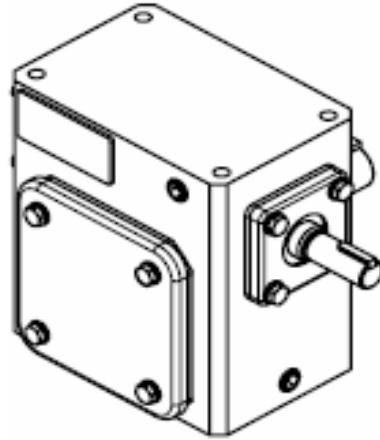


WORLDWIDE ELECTRIC CORPORATION
HdR SERIES PROGRAM - WORM GEAR SPEED REDUCERS
SHAFT INPUT - SHAFT OUTPUT - DIMENSIONS

MODEL # HdRS237-*-R-56



RIGHT HAND OUTPUT - DIMENSIONS - Inches

Size	A	AB	AC	B	BB	BD	BE	CC	F	H	HL	LL	M	N
237	9.69	5.75	6.378	7.948	5.087	4.055	2.88	2.375	5	6.937	2.062	2.5	2	2.37

Size	Z	INPUT SHAFT			OUTPUT SHAFT			NEMA FRAME	OIL (OZ.)
		L	U	T*V	L1	S	W*Y		
237	3/8-16 UNC	1	0.75	3/16 * 3/32	1.25	1.125	1/4 * 1/8	56	24.07

* Suitable For Any Ratio

