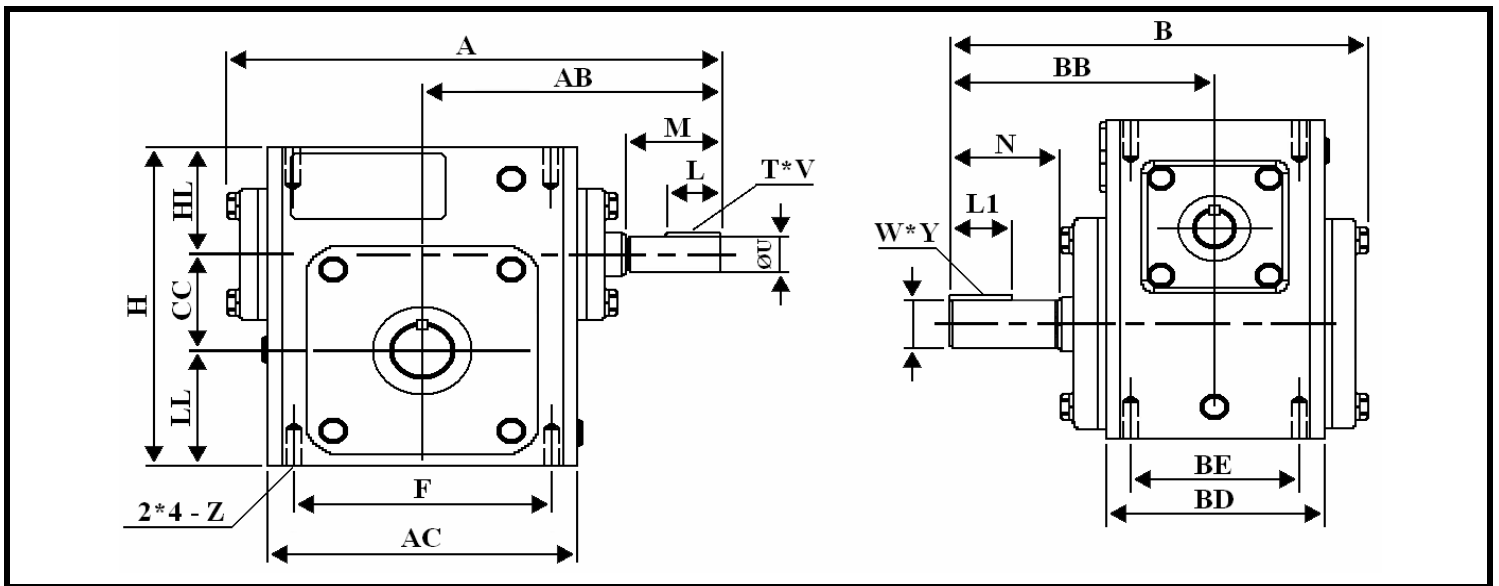
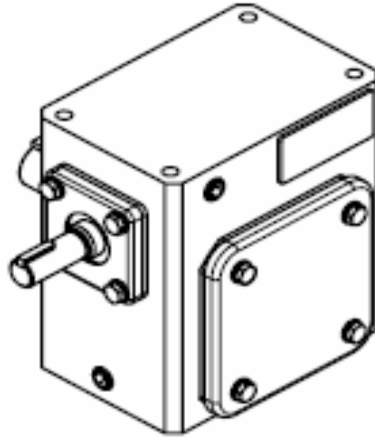


**WORLDWIDE ELECTRIC CORPORATION**  
**HdR SERIES PROGRAM - WORM GEAR SPEED REDUCERS**  
**SHAFT INPUT - SHAFT OUTPUT - DIMENSIONS**

**MODEL # HdRS206-\*-L-56**



**LEFT HAND OUTPUT - DIMENSIONS - Inches**

Size	A	AB	AC	B	BB	BD	BE	CC	F	H	HL	LL	M	N
206	8.65	5.128	5.748	7.249	4.69	3.819	2.88	2.062	5	6.375	2.032	2.281	1.555	2.09

Size	Z	INPUT SHAFT			OUTPUT SHAFT			NEMA FRAME	OIL (OZ.)
		L	U	T*V	L1	S	W*Y		
206	3/8-16 UNC	0.875	0.625	3/16 * 3/32	1.25	1	1/4 * 1/8	56	19.41

\* Suitable For Any Ratio

