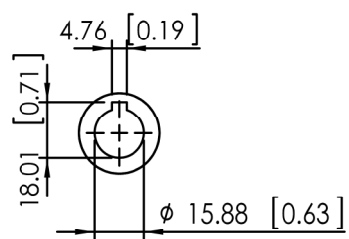
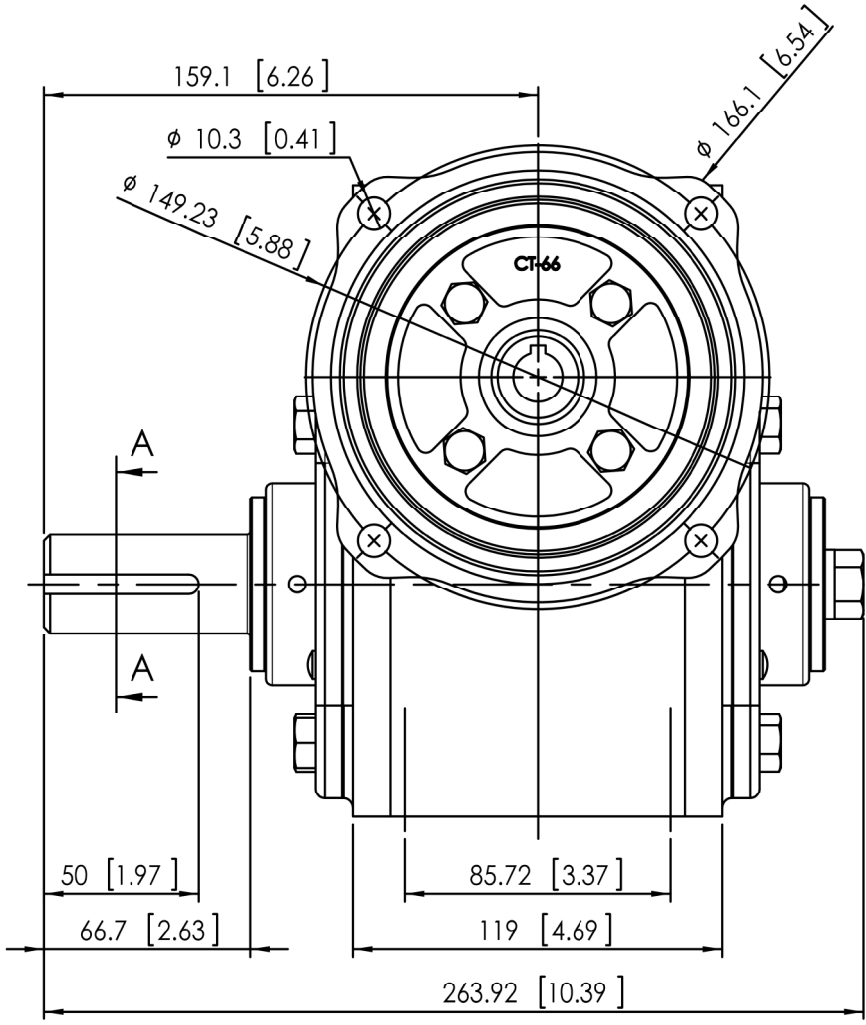
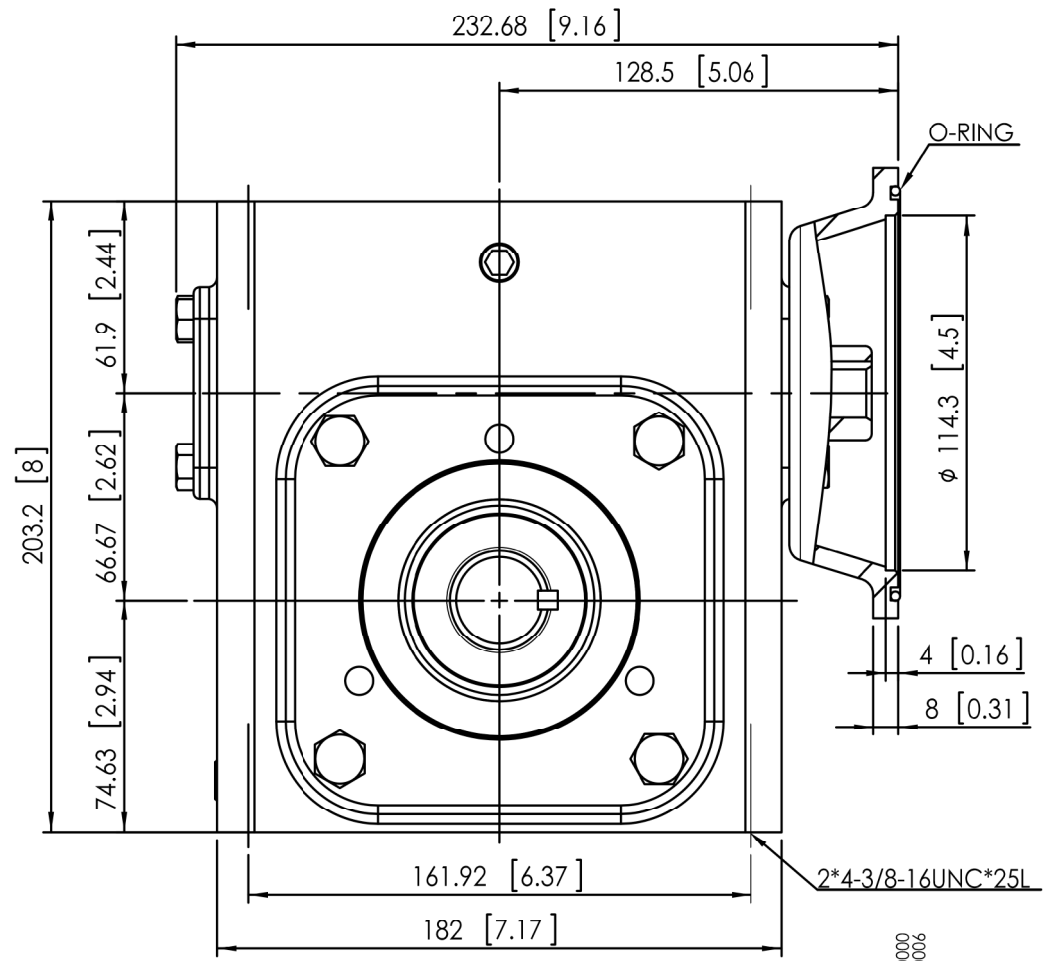
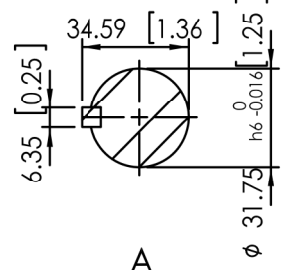


1 2 3 4 5 6 7

A
B
C
D
E
F



INPUT BORE



A

SCABBLE TOLERANCE >0 ± 0.1 >6 ± 0.2 >30 ± 0.3 >120 ± 0.5 >315 ± 0.8 MACHINING REQUIRED - NO MACHINING ▽ 50S ▽▽ 25S ▽▽▽ 6S ANG. TOLERANCE ± 0.5	DWG.	2018.04.10	ALAN	WORLD WIDE
	DESN.			
	APPR.			
	DATE		NAME	TITLE
				HdRF262-40/1-L-56C-1.25
	SCALE	1:2.5		DWG. NO.
				SSM-066-P31
				REV.