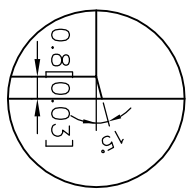
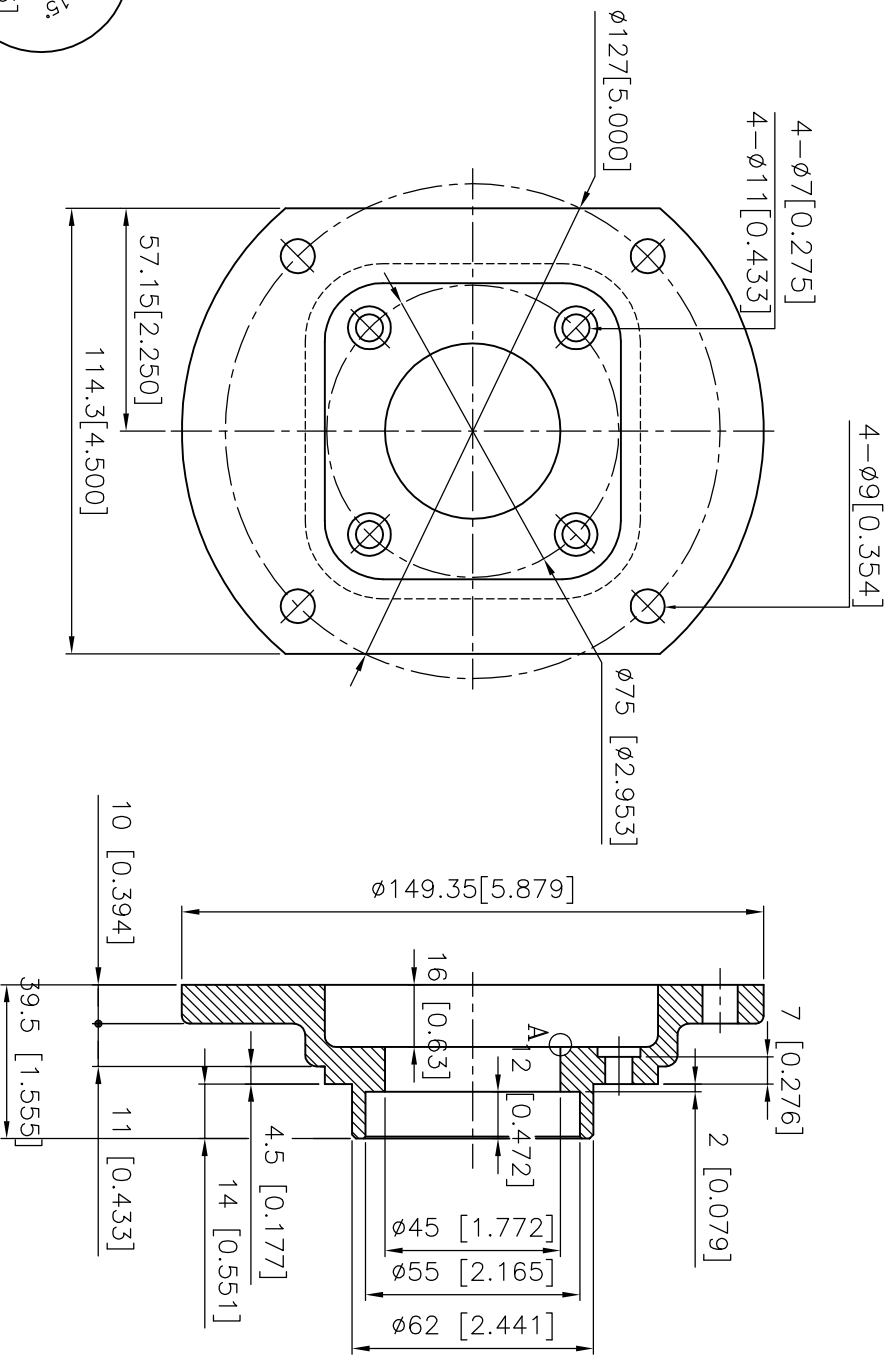


1 2 3 4 5 6 7 8



A-VIEW

ND.	SECTION	ORIGIN	MODIFICATION	DATE	IN CHARGE
1					
2					

SCABBLE TOL.	DWG.	2020.03.17	Y.S.P
> 0 ±0.1	DES.N.		
> 6 ±0.2	APPR.		
> 30 ±0.3			
> 120 ±0.5	DATE		
> 315 ±0.8	NAME		
MACHINING REQUIRED	TITLE		
ND MACHINING			
50%	SCALE	1:1	
50%			
50%			
50%			

WORLDWIDE

DWG	HDR133-OPF	REV	A
ND.	KFSM0331501		