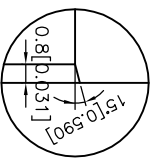
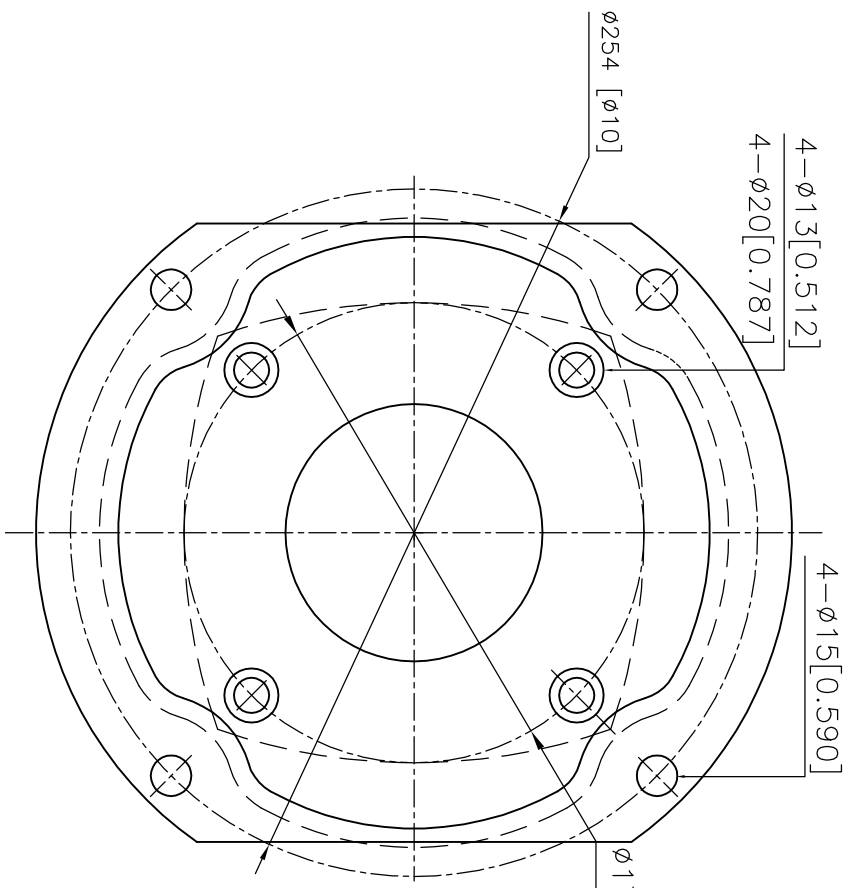
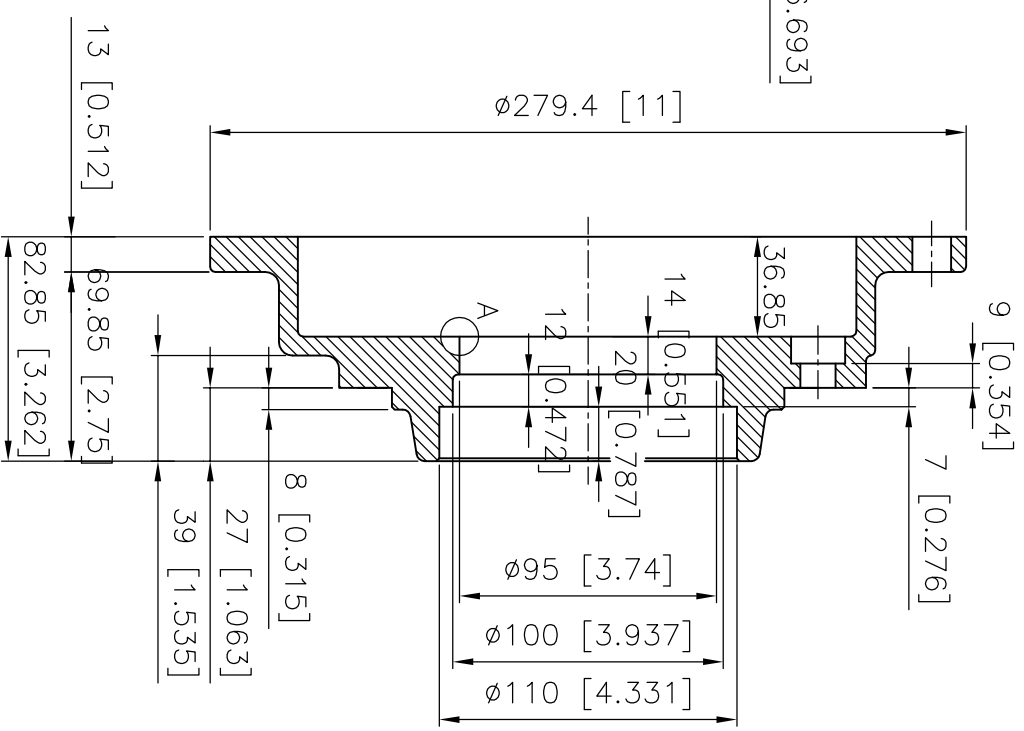


1 2 3 4 5 6 7 8



A-VIEW



ND.	SECTION	ORIGIN	MODIFICATION	DATE	IN CHARGE
1					
2					

SCABBLE TOL.	> 0	$\pm 0.1$
	> 6	$\pm 0.2$
	> 30	$\pm 0.3$
	> 120	$\pm 0.5$
	> 315	$\pm 0.8$
MACHINING REQUIRED	$\nabla$	50S
NO MACHINING	$\nabla$	50S
	$\nabla$	50S
	$\nabla$	50S
ANG.	$\nabla$	$\pm 0.5$

DWG.	2020.03.17	Y.S.P
DESIGN.		
APPR.		
SCALE	1:1	
DATE		NAME

TITLE	HRR325-OPF	
DWG	ND.	REV
	KFYM0832801	A

**WORLDWIDE**