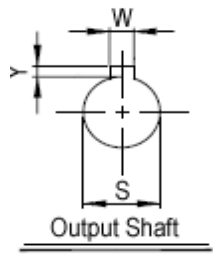
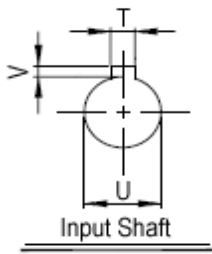
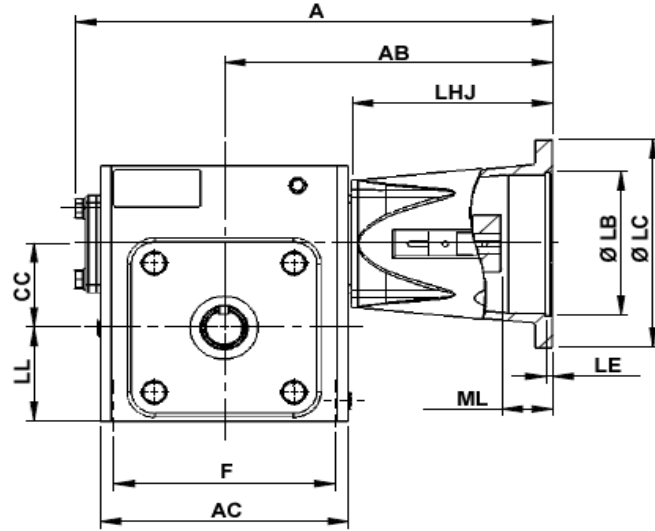
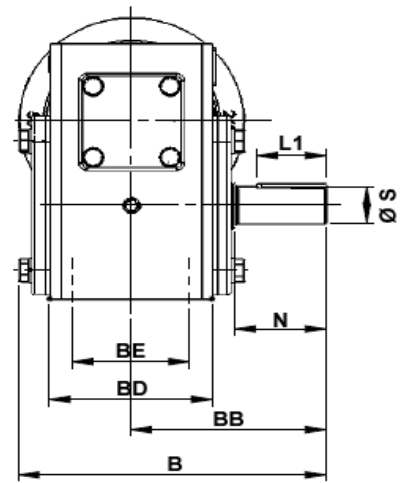
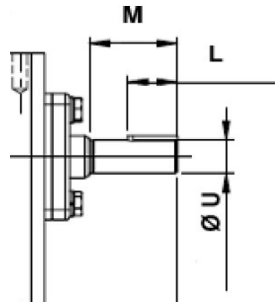
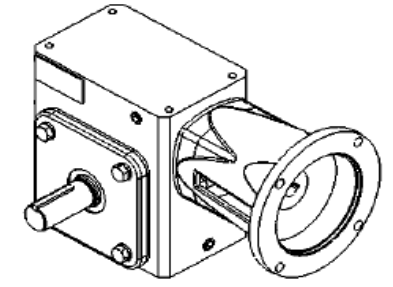
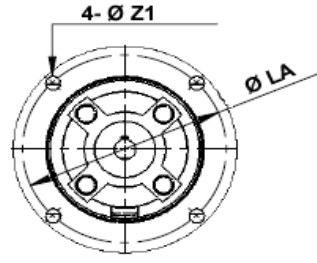
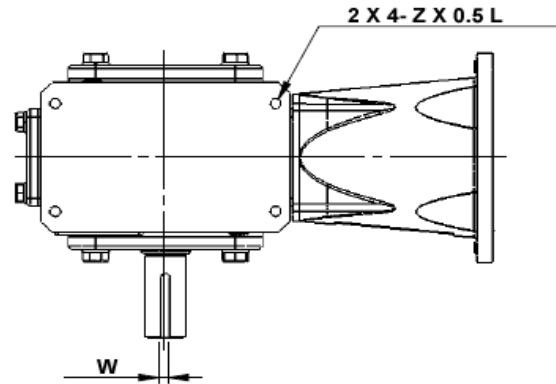


**CERTIFIED**

# HdRS262-\*-FPF56C



\* Fill in with any ratios

A	AB	AC	B	BB	BD	BE	CC	F	LL	ML	Z	Oil (oz.)
13.77	9.47	7.165	8.872	5.63	4.685	3.375	2.625	6.375	2.938	1.471	3/8-16 UNC	34.55

Unit: Inches  
Scale --- 1:5

Flange						Input Shaft				Output Shaft			
LA	LB	LC	LE	LHJ	Z1	M	L	U	T*V	N	L1	S	W*Y
5.875	4.5	6.5	0.197	5.79	0.433	2	1	0.75	3/16*3/32	2.626	2	1.125	1/4*1/8