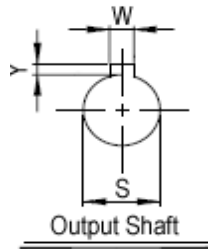
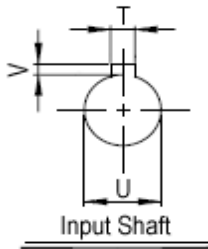
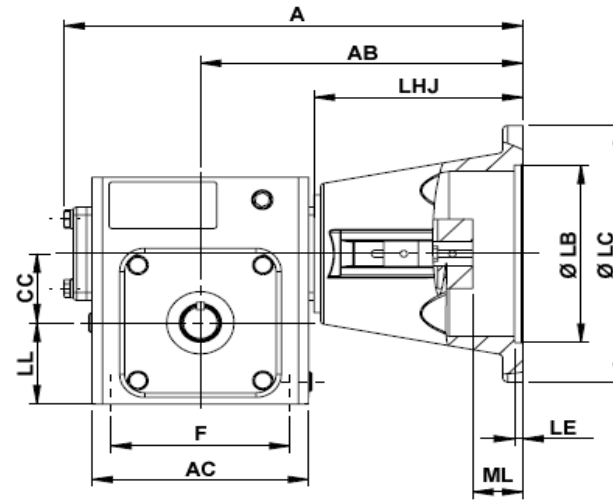
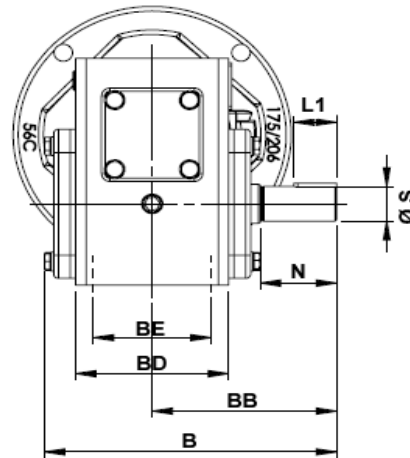
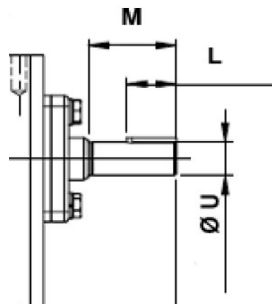
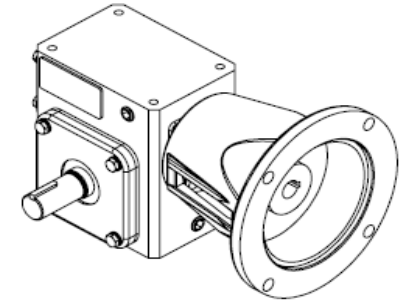
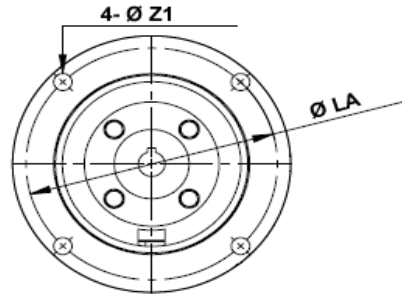
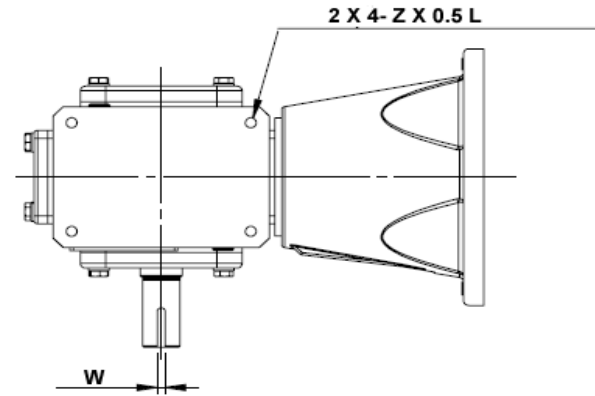


CERTIFIED

HdRS175-* -FPF56C



* Fill in with any ratios

A	AB	AC	B	BB	BD	BE	CC	F	LL	ML	Z	Oil (oz.)
10.73	7.54	5.06	6.83	4.31	3.56	2.75	1.75	4.19	2.06	1.2	5/16-18 UNC	11.64

Unit: Inches
Scale --- 1:4

Flange						Input Shaft				Output Shaft			
LA	LB	LC	LE	LHJ	Z1	M	L	U	T*V	N	L1	S	W*Y
5.875	4.5	6.5	0.2	4.88	0.433	1.555	0.875	0.625	3/16*3/32	1.781	1	0.875	3/16*3/32