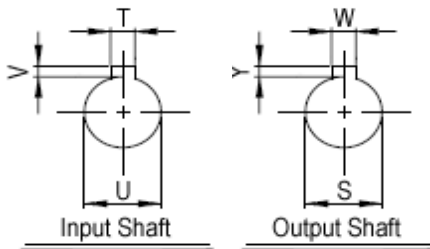
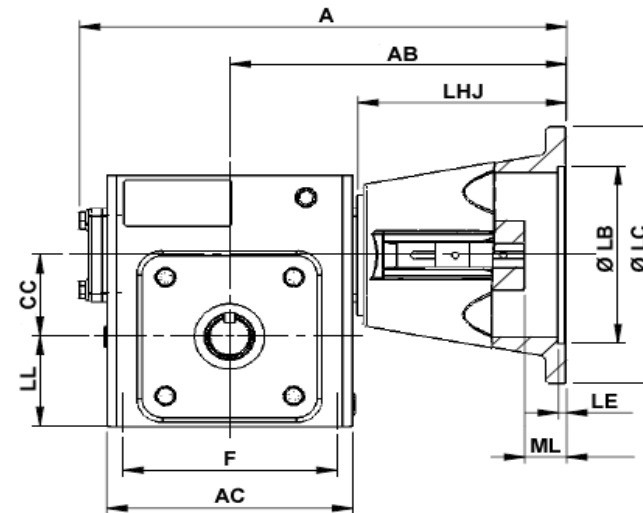
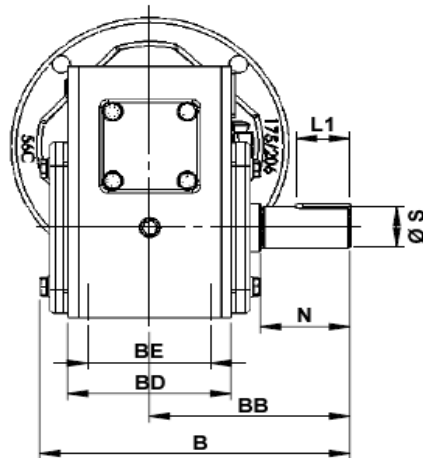
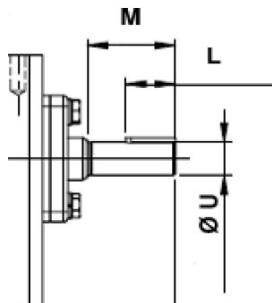
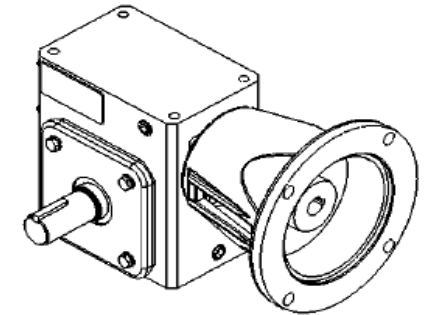
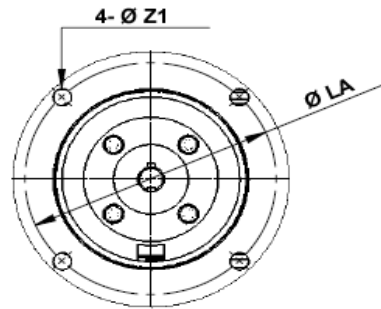
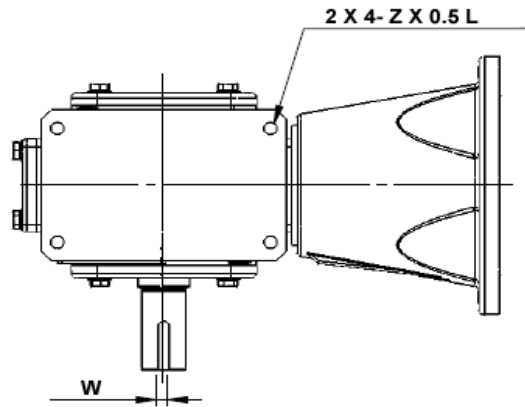


CERTIFIED

HdRS206-*-FPF56C



* Fill in with any ratios

A	AB	AC	B	BB	BD	BE	CC	F	LL	ML	Z	Oil (oz.)
11.4	7.87	5.75	7.25	4.69	3.82	2.88	2.06	5	2.28	0.98	3/8-16 UNC	19.41

Unit: Inches
Scale --- 1:5

Flange						Input Shaft				Output Shaft			
LA	LB	LC	LE	LHJ	Z1	M	L	U	T*V	N	L1	S	W*Y
5.875	4.5	6.5	0.2	4.88	0.433	1.555	0.875	0.625	3/16*3/32	2.09	1.25	1	1/4*1/8