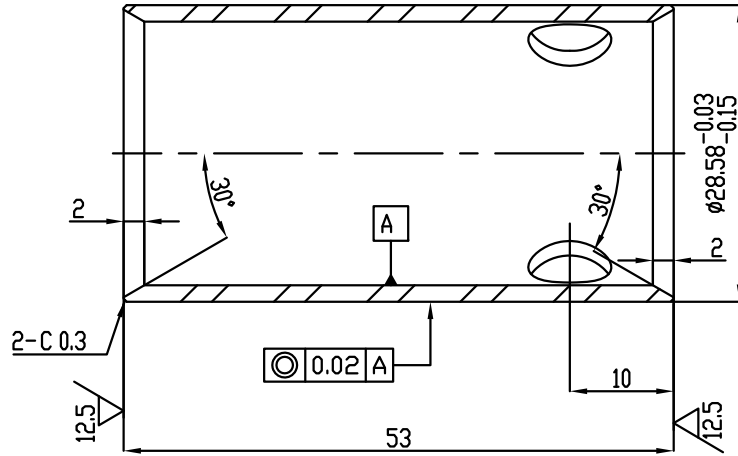


1 2 3 4 5 6 7 8 9

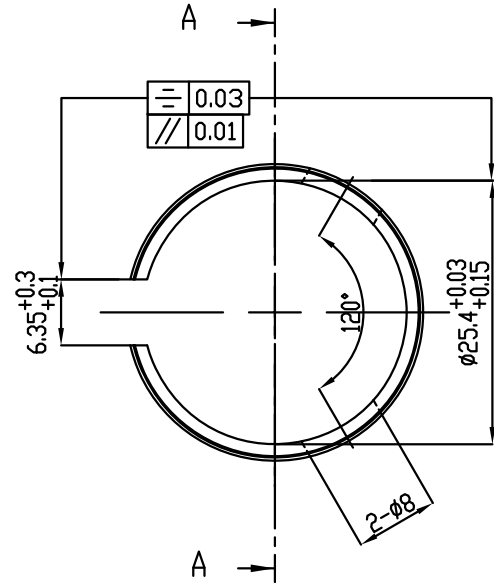
A

6.3 / (12.5)

B



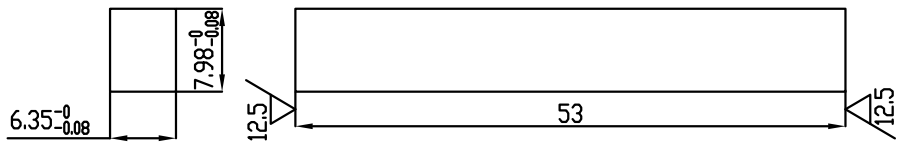
SECTION A-A



C

D

E



KEY

F

WORLDWIDE

	NAME	DATE	TITLE : Bushing		
DWN.	ALEX	2022.02.10	DWG. NO : HARB118.1		
DESN.			PROJECTION	3RD. ANGLE	E-mail: <input type="text"/>
APPR.			SCALE	1:1	REV: A