

1 2 3 4 5 6 7 8 9

A

B

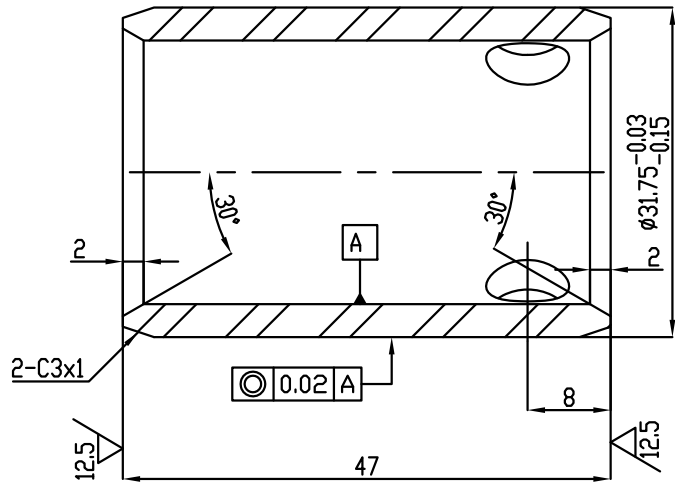
C

D

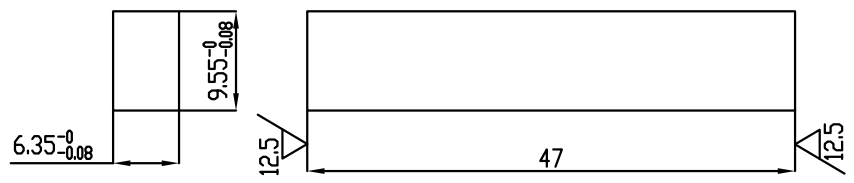
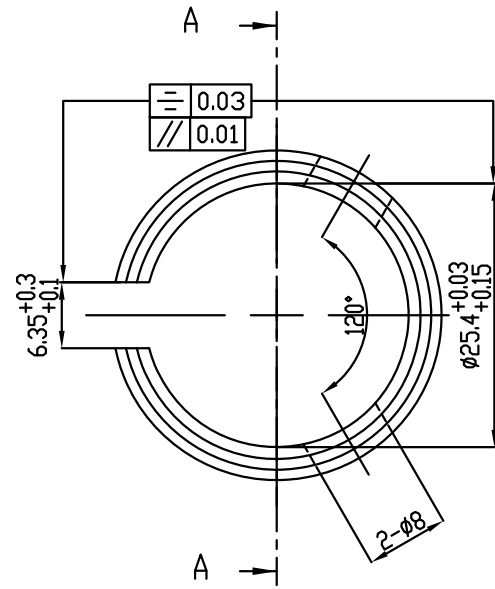
E

F

6.3 / 12.5 /



SECTION A-A



KEY

WORLDWIDE

	NAME	DATE	TITLE : Bushing		
DWN.	ALEX	2022.02.10	DWG. NO : HARB114.1		
DESN.			PROJECTION	3RD. ANGLE	E-mail: <input type="text"/>
APPR.			SCALE	1:1	REV: A