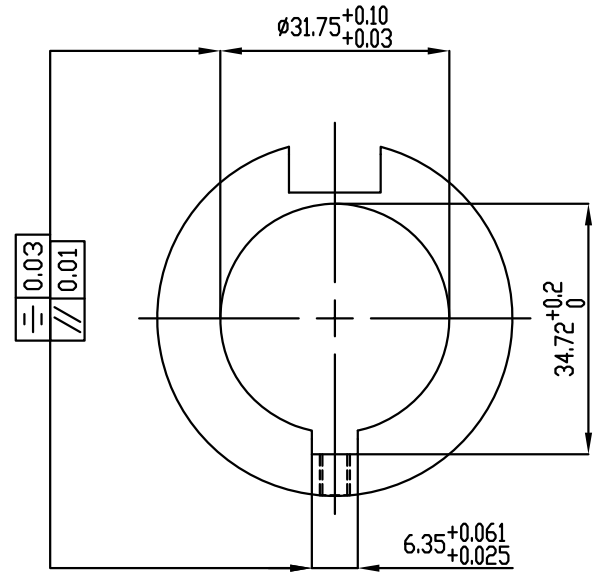
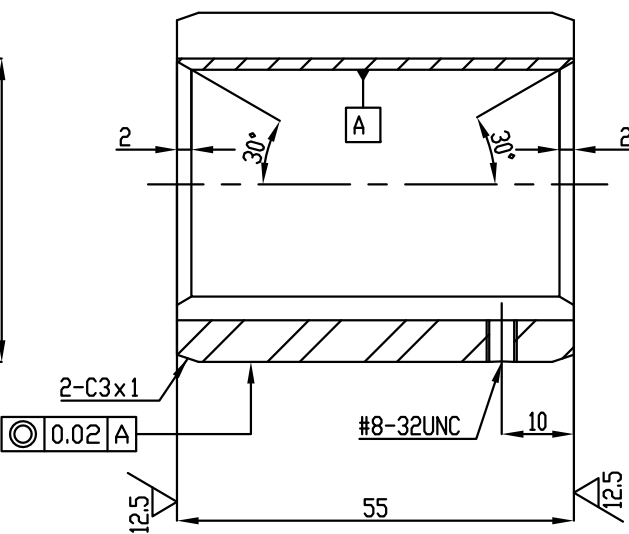
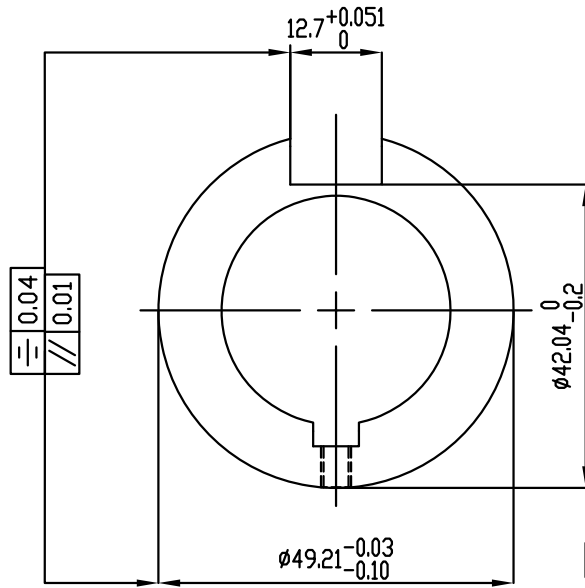


1 2 3 4 5 6 7 8 9

A
B
C
D
E
F

6.4 / (12.5 /)



WORLDWIDE

	NAME	DATE	TITLE : Bushing		
DWN.	ALEX	2022.02.10	DWG. NO : HdRB11516.114		
DESN.			PROJECTION	3RD. ANGLE	E-mail: REV: A
APPR.			SCALE	1:1	