

DATA SHEET

WorldWide Electric Corporation

1 (800) 808-2131

Worldwideelectric.net



Premium Efficiency Motor: **WPMDC1.5-18-180V-145TCB**

60 Hz

Document Generated: 3-Mar-2023

Document ID:

Customer:

MOTOR INFORMATION

HP	1.5
RPM	1800
Poles	4
Armature Voltage	180V
Frame Size	145TC
Enclosure	TEFC
Degree of Protection	IP54
Armature Full Load Amps	7.7
Full Load Torque	4.38 lb.ft.
Form Factor	1.00
Service Factor	1.00
Insulation Class	F
Max Ambient Temperature	40°C
Base Type	C-Face with Removable Base
Duty Cycle	Continuous
Shaft	KEYED
DE Bearing	6305
ODE Bearing	6305
Mounting	F3
Rotation	Bi-Directional
Wire Type	Loose Wire
Wire Housing	Junction Box
Approximate Weight	47 lbs.
Full Load Efficiency	80.0 %
Standard	CSA-US

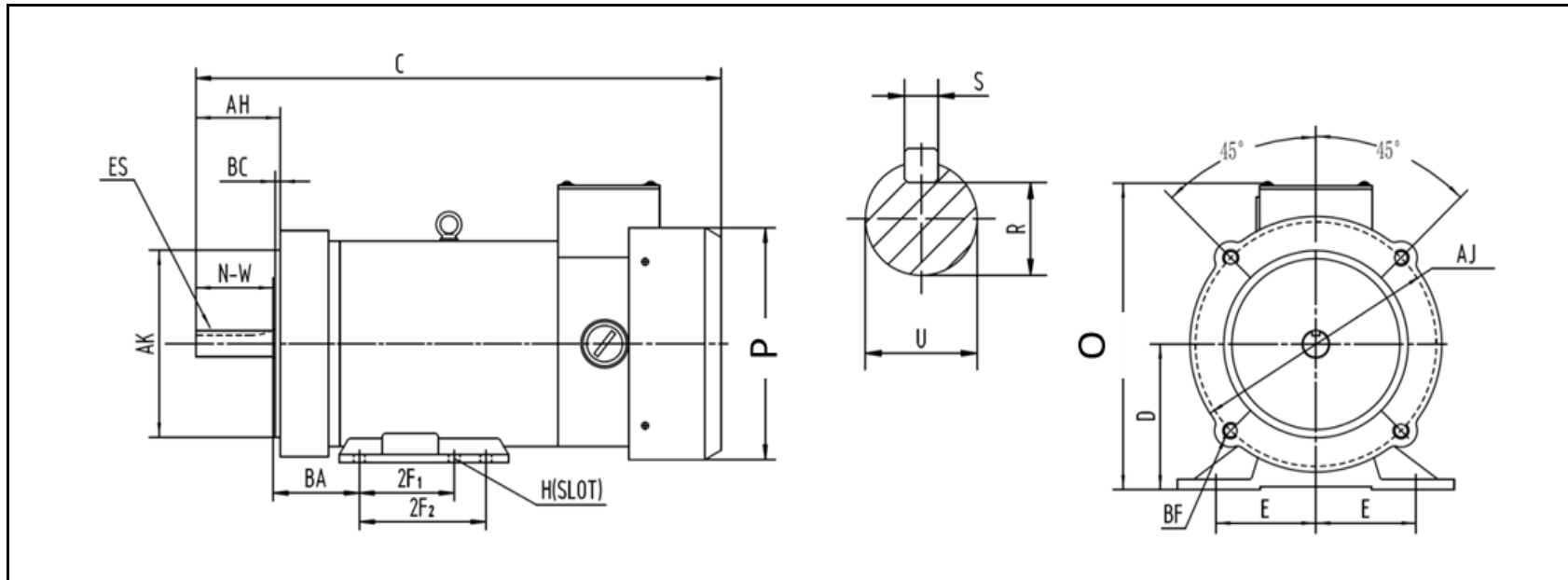
MOTOR DRAWING

Premium Efficiency Motor: **WPMD1.5-18-180V-145TCB**

WorldWide Electric Corporation

1 (800) 808-2131

Worldwideelectric.net



DIMENSION - INCHES

MOUNTING							C	D	O	P
E	E2	2F1	2F2	2F3	H	BA				
2.75	--	4	5	--	0.34	2.75	15.87	3.5	7.85	6.87

SHAFT & KEY				
S	ES	R	N-W	U
0.188	1.41	0.771	2.25	0.875

FLANGE				
AK	AJ	BF	AH	BC
4.5	5.875	4*3/8-16	2.12	0.12