

# DATA SHEET

Premium Efficiency Motor: **WPMDC13-18-24V-56CB**

WorldWide Electric Corporation  
1 (800) 808-2131  
Worldwideelectric.net



Document Generated: 16-Sep-2024  
Document ID:

Customer:

## MOTOR INFORMATION

|                         |                            |
|-------------------------|----------------------------|
| HP                      | 1/3                        |
| RPM                     | 1800                       |
| Poles                   | 4                          |
| Armature Voltage        | 24V                        |
| Frame Size              | 56C                        |
| Enclosure               | TENV                       |
| Degree of Protection    | IP54                       |
| Armature Full Load Amps | 13.2                       |
| Full Load Torque        | 0.97 lb.ft.                |
| Form Factor             | 1.00                       |
| Service Factor          | 1.00                       |
| Insulation Class        | F                          |
| Max Ambient Temperature | 40°C                       |
| Base Type               | C-Face with Removable Base |
| Duty Cycle              | Continuous                 |
| Shaft                   | KEYED                      |
| DE Bearing              | 6203                       |
| ODE Bearing             | 6203                       |
| Mounting                | F3                         |
| Rotation                | Bi-Directional             |
| Wire Type               | Loose Wire                 |
| Wire Housing            | Junction Box               |
| Approximate Weight      | 19 lbs.                    |
| Full Load Efficiency    | 78.0 %                     |
| Standard                | CSA-US                     |

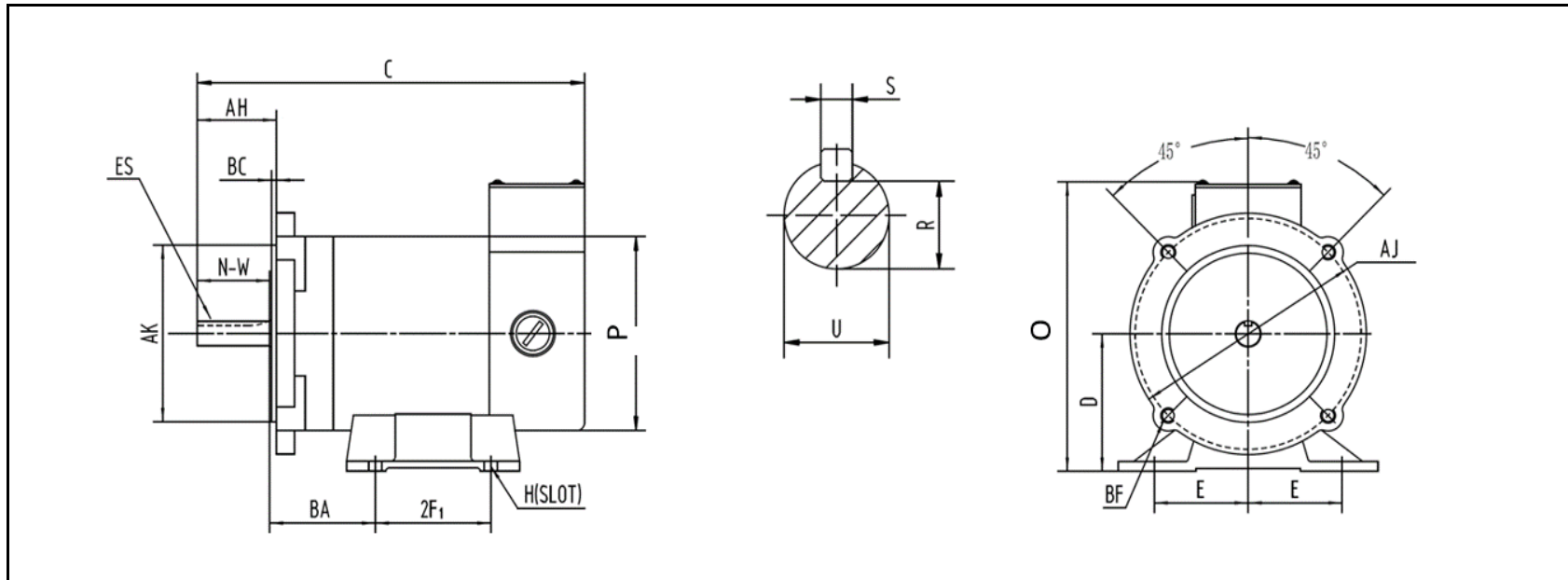
# MOTOR DRAWING

Premium Efficiency Motor: **WPMDC13-18-24V-56CB**

WorldWide Electric Corporation

1 (800) 808-2131

Worldwideelectric.net



## DIMENSION - INCHES

| MOUNTING |    |     |     |     |      |      | C     | D   | O    | P    |
|----------|----|-----|-----|-----|------|------|-------|-----|------|------|
| E        | E2 | 2F1 | 2F2 | 2F3 | H    | BA   |       |     |      |      |
| 2.44     | -- | 3   | --  | --  | 0.34 | 2.75 | 10.94 | 3.5 | 7.63 | 4.94 |

| SHAFT & KEY |      |       |      |       |
|-------------|------|-------|------|-------|
| S           | ES   | R     | N-W  | U     |
| 0.188       | 1.41 | 0.517 | 1.88 | 0.625 |

| FLANGE |       |          |      |      |
|--------|-------|----------|------|------|
| AK     | AJ    | BF       | AH   | BC   |
| 4.5    | 5.875 | 4*3/8-16 | 2.06 | 0.12 |



**WORLDWIDE ELECTRIC**  
**P.M.D.C.MOTOR**

247070



**MODEL**

**SER NO.**

**HP**

**RPM**

**FR**

**DUTY**

**V.ARM**

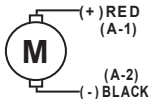
**A.ARM**

**INS CL**

**ENCL**

**AMB**

**F.F.**



MADE IN CHINA