



WORLDWIDE ELECTRIC MOTOR DATA SHEET



OCCP15-36-215JM

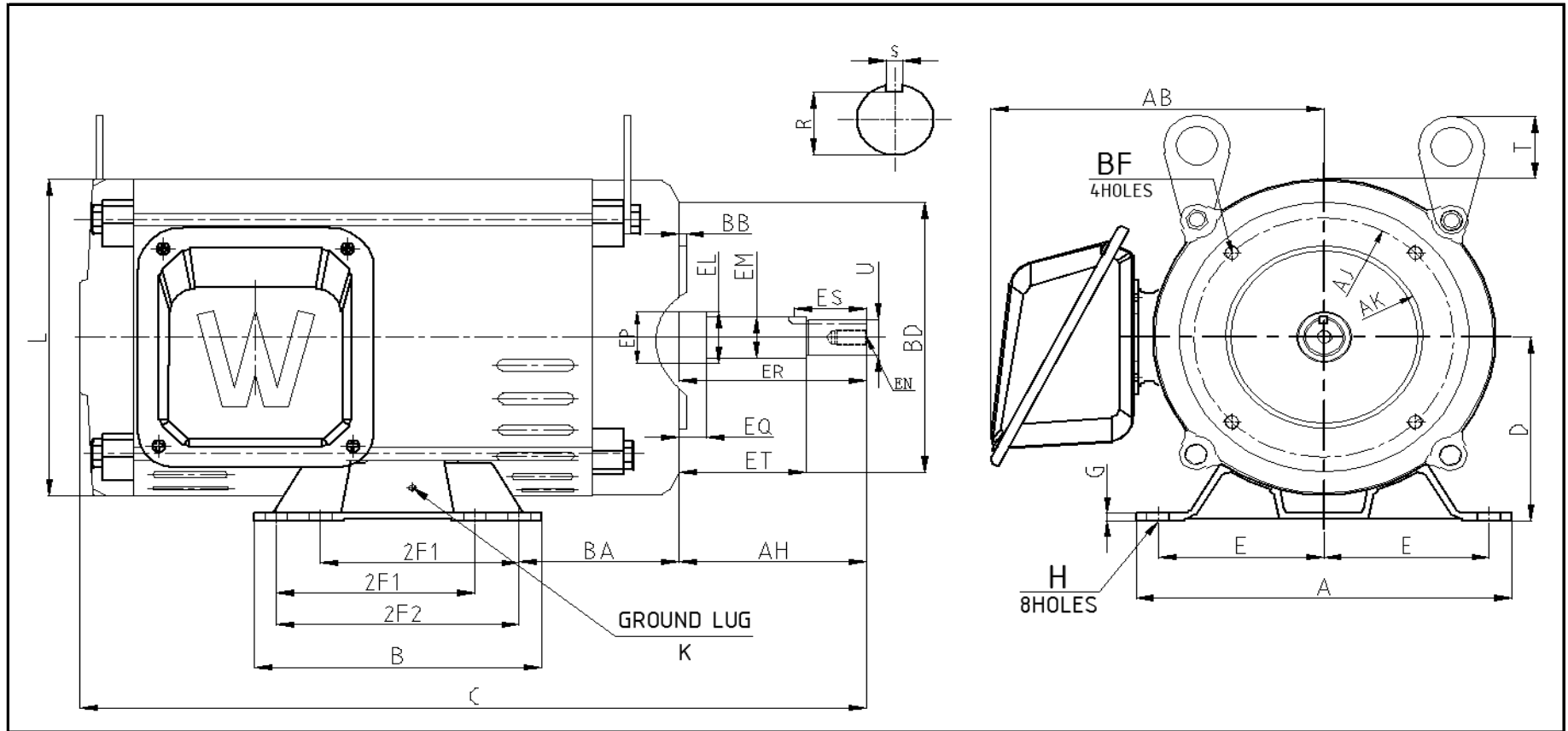
HORSEPOWER	15		
RPM / POLES	3600 / 2		
VOLTAGE / PHASE	208 - 230 / 460 V / 3		
FRAME	215JM		
ENCLOSURE / DEGREE OF PROTECTION	ODP / IP23		
FREQUENCY	60 HZ Suitable For 50 HZ Operation With 1.0 SF		
FULL LOAD SPEED	3497 RPM		
SERVICE FACTOR	1.15 SF 60 HZ / 1.0 SF at 50 HZ		
INSULATION CLASS	F		
FULL LOAD AMPS; 230 / 460	33.8 / 16.9 A		
LOCKED ROTOR AMPS (STARTING); 230 / 460	263.6 / 131.8 A		
NO LOAD CURRENT	7.72 / 3.86 A		
NEMA CODE LETTER	H		
EFFICIENCY / POWER FACTOR	<u>LOAD</u>	<u>EFF.</u>	<u>P.F.</u>
	100%	90.2%	0.90
	75%	92.3%	0.88
	50%	92.7%	0.84
DUTY CYCLE	S1 / Continuous		
TORQUE	<u>FULL LOAD</u>	<u>LRT</u>	<u>BDT</u>
	22.16 lb.ft.	191.0%	303.0%
SLIP	2.864%		
NEMA DESIGN	B		
NUMBER OF STARTS (Hot / Cold)	2 Hot / 3 Cold		
MAX. AMBIENT TEMPERATURE	40° C		
MAX. ELEVATION	3300 Ft. Above Sea Level		
TEMPERATURE RISE (At Full Load)	80° C		
DE BEARING	6309ZZ		
ODE BEARING	6306ZZ		
GREASE TYPE	Multemp SRL		
MOUNTING	F1		
ROTATION	Bi-Directional		
APPROXIMATE WEIGHT	144 Lbs.		
AREA CLASSIFICATION	Non-Hazardous		
INVERTER RATING	10:1 CT / 20:1 VT PWM Type		
SPECIFICATION - In Accordance With	NEMA, UR		





WORLDWIDE ELECTRIC MOTOR DRAWING

OCCP-215JM



DIMENSIONS - INCHES

MOUNTING					A	B	C	D	G	AB	L	T	KEYSET		KEY	
E	2F1	2F2	H	BA									R	ES	S	
4.25	5.5	7	0.41	4.25	9.69	8.18	19.16	5.25	0.18	8.16	8.975	1.53	0.771	1.65	0.188	

FLANGE					AH	SHAFT EXTENSION								K
AK	AJ	BF	BB	BD		EL	EM	EP	EQ	ER	ET	EN	U	
8.5	7.25	1/2-13 * 0.75	0.256	9	4.25	1.25	1	1.75	0.625	4.25	2.875	3/8-16 * 0.75	.875	M5