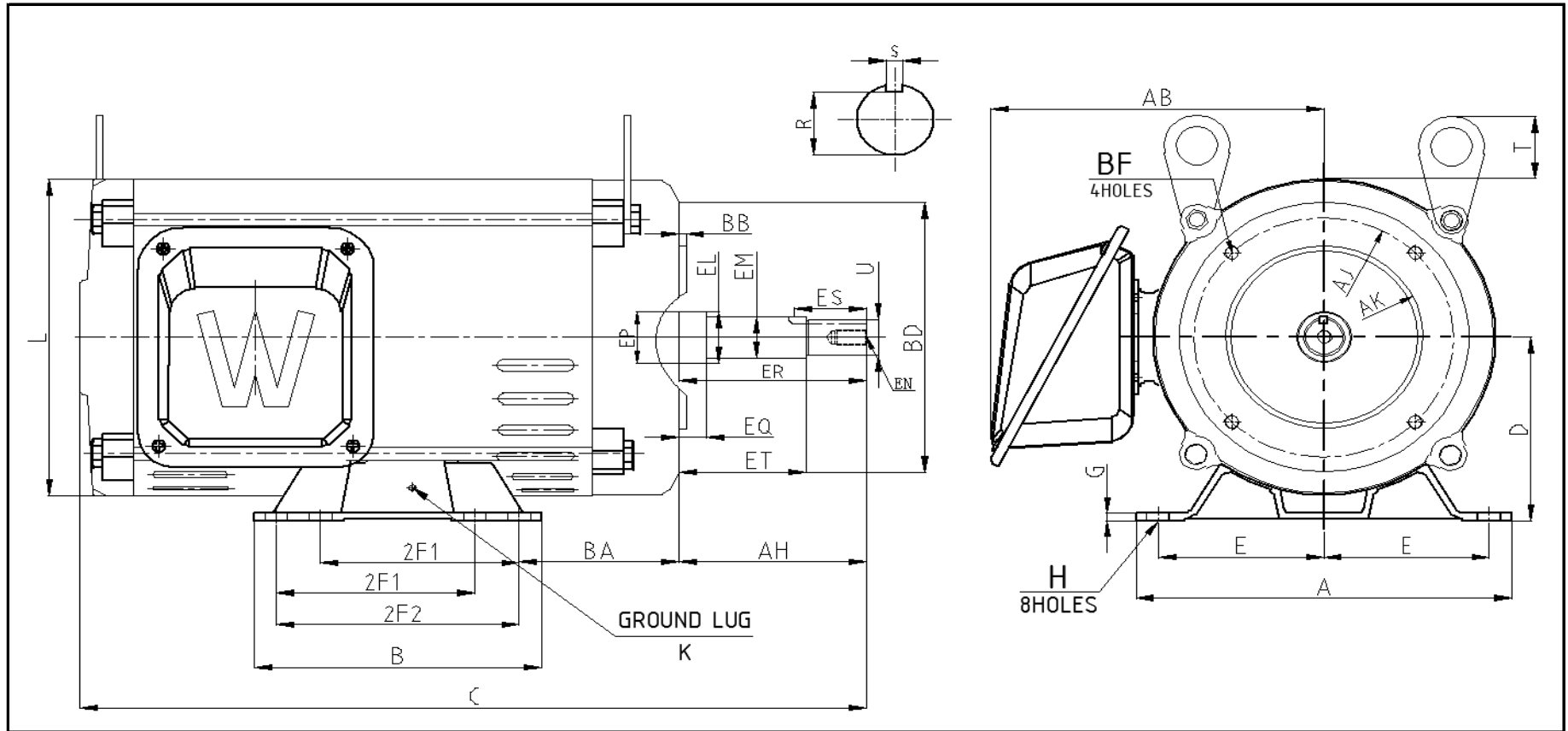




WORLDWIDE ELECTRIC MOTOR DRAWING

OCCP-182JM



DIMENSIONS - INCHES

MOUNTING					A	B	C	D	G	AB	L	T	KEYSET		KEY	
E	2F1	2F2	H	BA									R	ES	S	
3.75	5.5	4.5	0.41	3.63	8.5	6.5	17.81	4.5	0.41	6.5	7.8	1.53	0.771	1.65	0.188	

FLANGE					AH	SHAFT EXTENSION								K
AK	AJ	BF	BB	BD		EL	EM	EP	EQ	ER	ET	EN	U	
4.5	5.875	3/8-16 * 0.56	0.156	6.63	4.25	1.25	1	1.25	0.625	4.25	2.875	3/8-16 * 0.75	.875	M5