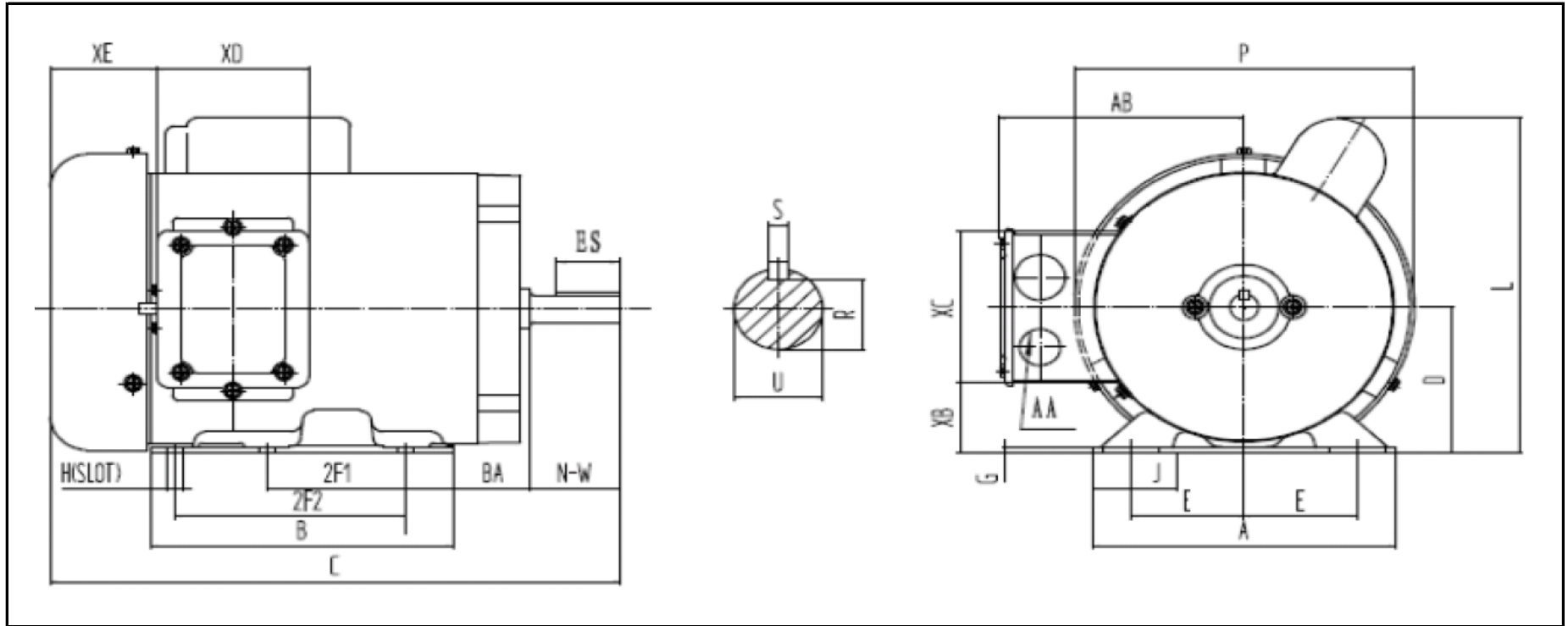




WORLDWIDE ELECTRIC MOTOR DRAWING

NTMOL13-36-56



DIMENSIONS - INCHES

| MOUNTING | | | | | A | B | C | D | G | J | L | P | AB |
|----------|-----|-----|------|------|------|------|------|-----|------|------|-----|-----|-----|
| E | 2F1 | 2F2 | H | BA | | | | | | | | | |
| 2.44 | 3 | 5 | 0.34 | 2.75 | 6.54 | 6.54 | 11.9 | 3.5 | 0.12 | 1.65 | 8.2 | 7.3 | 5.2 |

| KEY | | KEYSET | | SHAFT | | TERMINAL BOX | | | | |
|-------|------|--------|------|-------|------------------|--------------|-----|-----|------|--|
| S | ES | R | N-W | U | AA | XB | XC | XD | XE | |
| 0.188 | 1.41 | 0.517 | 1.88 | 0.625 | 2-0.88 / 2-1.109 | 1.65 | 3.7 | 3.2 | 2.15 | |