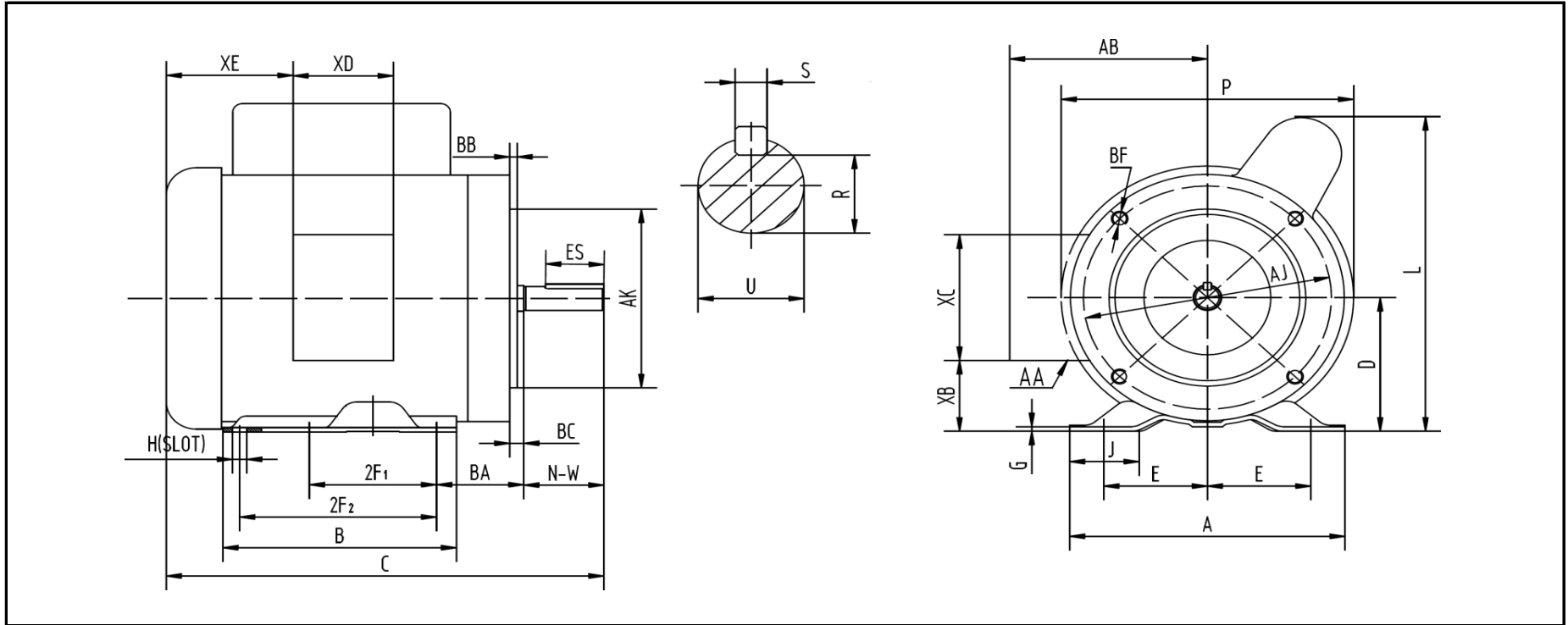




WORLDWIDE ELECTRIC MOTOR DRAWING

NTMOL1-36-56CB



DIMENSIONS - INCHES

MOUNTING					A	B	C	D	G	J	L	P	AB	BC
E	2F1	2F2	H	BA										
2.44	3	5	0.34	2.75	6.54	6.54	12.4	3.5	0.12	1.65	8.2	7.3	5.2	-0.19

KEY		KEYSET	FLANGE				SHAFT		TERMINAL BOX				
S	ES	R	AK	AJ	BF	BB	N-W	U	AA	XB	XC	XD	XE
0.188	1.41	0.517	4.5	5.875	3/8-16	0.15	1.88	0.625	2-0.88 / 2-1.109	1.65	3.7	3.2	2.15

REVISED - 07/27/16