

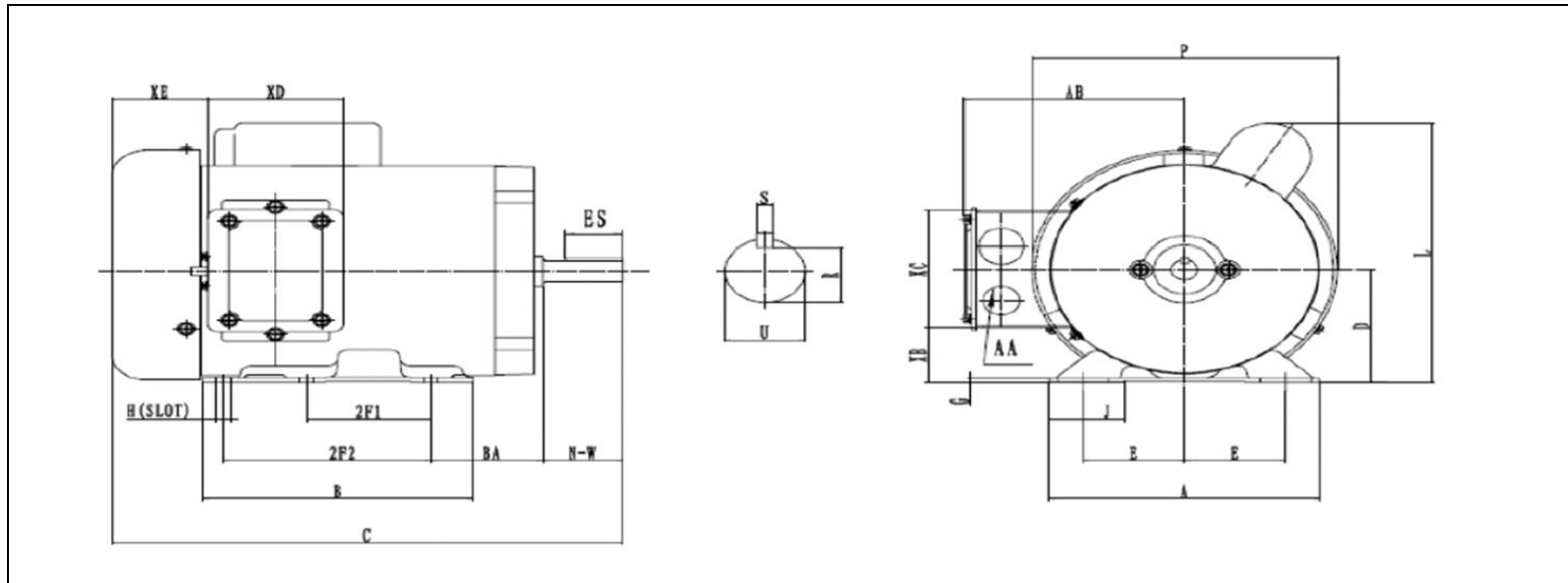
MOTOR DRAWING

Premium Efficiency Motor: **FM2-18-56HZ**

WorldWide Electric Corporation

1 (800) 808-2131

Worldwideelectric.net



DIMENSION - INCHES

MOUNTING					A	B	C	D	G	L	P	AB	J
E	2F1	2F2	H	BA									
2.44	3	5	0.34	2.75	6.54	6.54	14.4	3.5	0.12	8.7	8.2	5.2	1.65

SHAFT & KEY				
R	ES	S	U	NW
0.771	1.41	0.188	0.875	2.25

TERMINAL BOX				
XB	XC	XD	XE	AA
1.65	3.7	3.2	2.15	2-0.88/2-1.109