

DATA SHEET

Premium Efficiency Motor: **IEC10-12-160-FF,**

60 Hz

WorldWide Electric Corporation

1 (800) 808-2131

Worldwideelectric.net



Document Generated: 17-Jul-2023
Document ID:

Customer:

| MOTOR INFORMATION | |
|-------------------------|-----------------------------|
| HP | 10 |
| RPM | 1200 |
| Phase | 3 |
| Frequency | 60 |
| Voltage | 230/460 |
| Frame Size | 160M |
| Enclosure | TEFC |
| Degree of Protection | IP55 |
| Service Factor | 1.15 |
| Poles | 6 |
| Full Load Speed | 1173 |
| Insulation Class | F |
| Temp Rise | 80°C |
| NEMA Code Letter | H |
| Duty Cycle | S1 |
| Slip | 2.29% |
| IEC Design | N |
| Moment of Inertia | 2.6344 lb.ft.^2 |
| Locked Rotor Time (Hot) | 12 seconds |
| Sound Pressure Level | 91 dB(A) |
| Number of Starts | 2 Hot / 3 Cold |
| Max Ambient Temperature | 40° C |
| Max Elevation | 1000 m.a.s.l (3300 f.a.s.l) |
| Mounting | B35 - FF Flange with Feet |
| Rotation | Bidirectional |
| Area of Classification | Safe |
| Inverter Rating | 10:1 CT/20:1 VT |
| Standard | IEC 60034 and IEC 60072 |
| Approvals | UL, CE |

| EFFICIENCY/POWER FACTOR | | |
|-------------------------|--------|-------|
| LOAD | EFF | P. F. |
| 100% | 91.0 % | 0.80 |
| 75% | 92.4 % | 0.74 |
| 50% | 91.8 % | 0.63 |

| TORQUE | | |
|--------------|-------|-------|
| FULL LOAD | LRT | BDT |
| 61.03 lb.ft. | 337 % | 372 % |

| AMPERAGE INFORMATION | | |
|----------------------|--------|-------|
| | 230V | 460V |
| Full Load Amps | 25.70 | 12.85 |
| Locked Rotor Amps | 178.10 | 89.05 |
| No Load Current | 11.41 | 5.71 |

| BEARING INFORMATION | |
|---------------------|---------|
| DE Bearing | 6309 ZZ |
| ODE Bearing | 6309 ZZ |
| Grease Type | NS7 |

| ADDITIONAL DATA | |
|--------------------|--------------|
| Multi-Mount | Yes |
| Shaft Material | AISI 1040/45 |
| Connection Diagram | 9 Lead Wye |
| Approximate Weight | 93 kg |

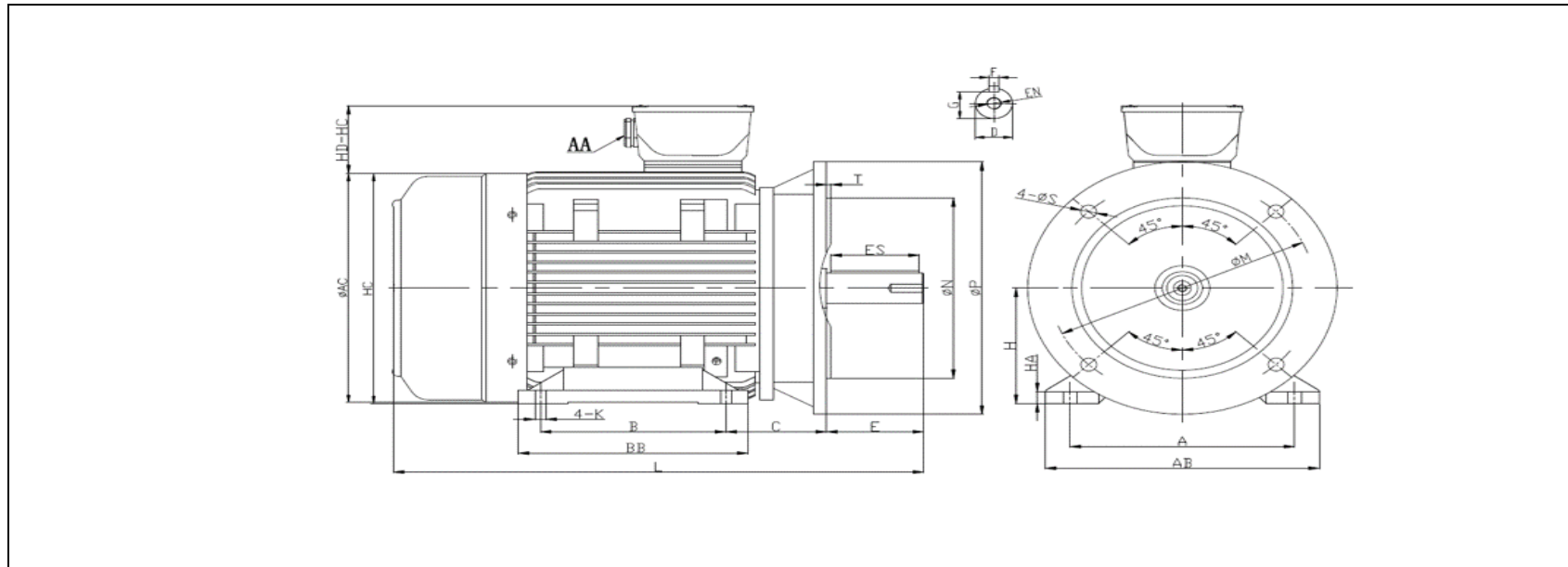
MOTOR DRAWING

Premium Efficiency Motor: **IEC10-12-160-FF**

WorldWide Electric Corporation

1 (800) 808-2131

Worldwideelectric.net



DIMENSION - METRIC (mm)

| MOUNTING | | | | AB | BB | L | H | HA | AC | HC |
|----------|-----|-----|------|-----|-----|-----|-----|----|-----|-----|
| A | B | C | K | | | | | | | |
| 254 | 210 | 108 | 14.5 | 310 | 260 | 600 | 160 | 18 | 310 | 319 |

| SHAFT & KEY | | | | | |
|-------------|-----|----|-----|----|----------|
| F | ES | G | E | D | EN |
| 12 | 100 | 37 | 110 | 42 | M16*32mm |

| TERMINAL BOX | |
|--------------|-------|
| AA | HD-HC |
| M32 | 81 |

| FLANGE | | | | |
|--------|-----|---|-----|----------|
| N | P | T | M | S |
| 250 | 350 | 5 | 300 | 4*18.5mm |

PERFORMANCE CURVES

WorldWide Electric Corporation

1 (800) 808-2131

Worldwideelectric.net



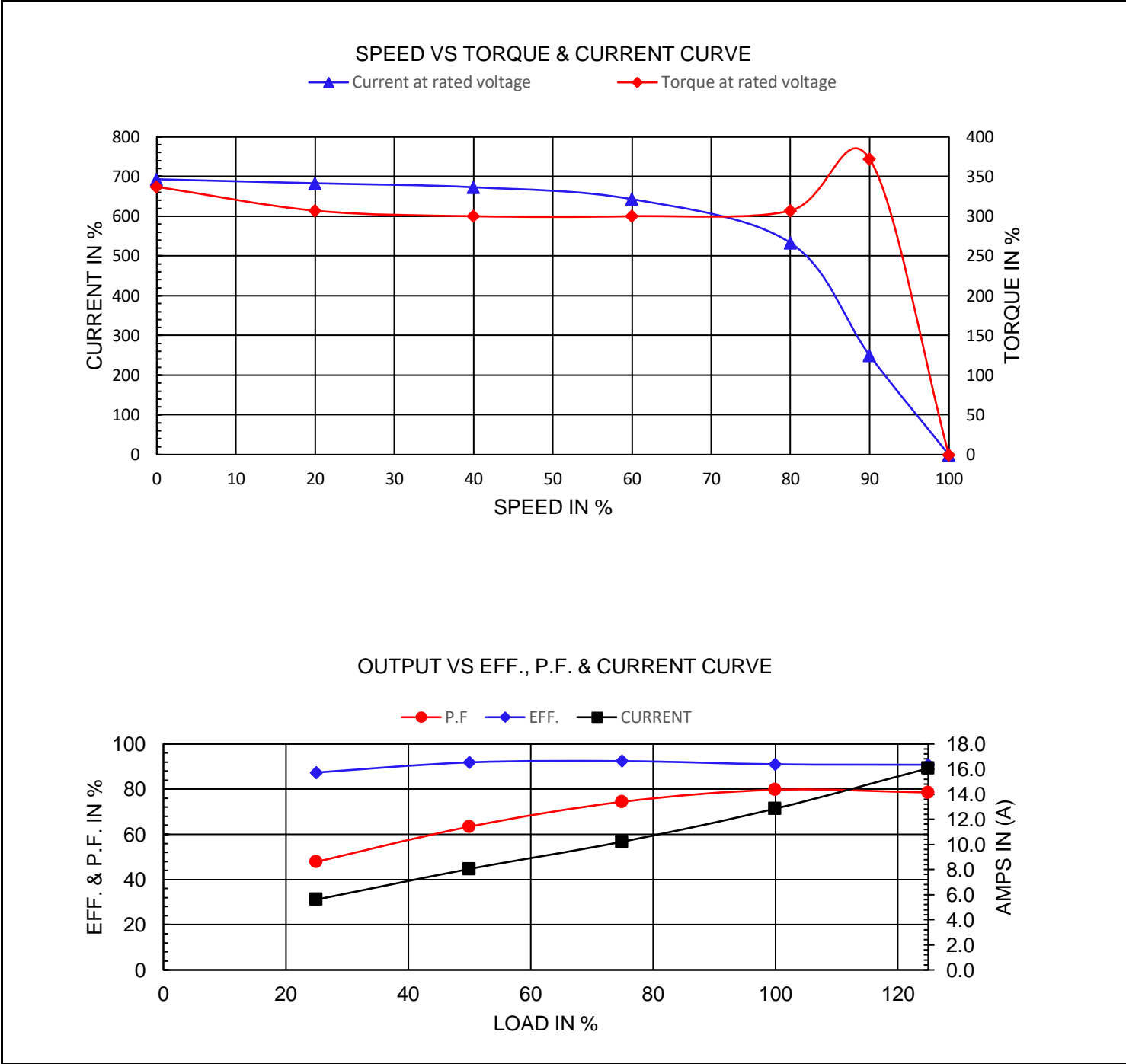
Premium Efficiency Motor:

IEC10-12-160-FF

Document Generated: 17-Jul-2023
Document ID:

Customer:

| | | | | | |
|-----------------------|---------------------------|------------|------|--------------|-------|
| Motor Type | | | | | |
| Output Rating (HP) | 10 | FL Speed | 1173 | | |
| Full Load Torque | 61.030 lb.ft | LRT (%FLT) | 337 | 460 volt FLA | 12.85 |
| Rotor Wk ² | 2.6344 lb-ft ² | BDT (%FLT) | 372 | 230 volt FLA | 25.70 |



NAMEPLATE / WIRING

Premium Efficiency Motor: **IEC10-12-160-FF**

WorldWide Electric Corporation

1 (800) 808-2131

Worldwideelectric.net



Document Generated: 17-Jul-2023
Document ID:

Customer:

SAMPLE NAMEPLATE DATA

| | | | | | | | | | | | |
|------|----|------------------------------------|-------|------------------|---------|-----------------------|--------|----------------------------|----------|--|--|
| | | 3-PHASE INDUCTION MOTOR | | | | | | IE3 CE | | | |
| | | | | | | <small>CC306B</small> | | <small>IEC 60034-1</small> | | | |
| TYPE | | OUTPUT | | HP | kW | INS.F | FR. | IP55 | AMB.40°C | | |
| V | Hz | A | r/min | SF | IE CODE | η 100% | η 75% | η 50% | | | |
| | | | | | | | | | | | |
| | | | | Code " " at 60Hz | | | Duty | S1 | | | |
| | | | | DES | N | DE BRG | | | | | |
| | | | | IC | 411 | ODE BRG | | | | | |
| | | | | SN. | | Date | Weight | kg | | | |
| | | | | | | | | | | | |

| | | | | | | | | | |
|---------|-----------------|-------------|--------|------|---------|-------|------|-------|------|
| TYPE | IEC10-12-160-FF | | OUTPUT | HP | 10 | kW | 7.46 | FRAME | 160M |
| V | Hz | A | r/min. | SF | IE CODE | η100% | η75% | η50% | |
| 190/380 | 50 | 30.76/15.38 | 962 | 1.00 | IE3 | 89.1 | 91.1 | 91.6 | |
| 230/460 | 60 | 25.7/12.85 | 1173 | 1.15 | IE3 | 91.0 | 92.4 | 91.8 | |

| | | | | | | |
|-------|---|----------|---------|---------|--------|-------|
| Code" | H | "at 60Hz | DE BRG | 6309 ZZ | Weight | 93 kg |
| | | | ODE BRG | 6309 ZZ | | |