

DATA SHEET

Premium Efficiency Motor: **IEC10-12-160,**

60 Hz

WorldWide Electric Corporation

1 (800) 808-2131

Worldwideelectric.net



Document Generated: 14-Jul-2023
Document ID:

Customer:

MOTOR INFORMATION	
HP	10
RPM	1200
Phase	3
Frequency	60
Voltage	230/460
Frame Size	160M
Enclosure	TEFC
Degree of Protection	IP55
Service Factor	1.15
Poles	6
Full Load Speed	1173
Insulation Class	F
Temp Rise	80°C
NEMA Code Letter	H
Duty Cycle	S1
Slip	2.29%
IEC Design	N
Moment of Inertia	2.6344 lb.ft.^2
Locked Rotor Time (Hot)	12 seconds
Sound Pressure Level	91 dB(A)
Number of Starts	2 Hot / 3 Cold
Max Ambient Temperature	40° C
Max Elevation	1000 m.a.s.l (3300 f.a.s.l)
Mounting	F3
Rotation	Bidirectional
Area of Classification	Safe
Inverter Rating	10:1 CT/20:1 VT
Standard	IEC 60034 and IEC 60072
Approvals	UL, CE

EFFICIENCY/POWER FACTOR		
LOAD	EFF	P. F.
100%	91.0 %	0.80
75%	92.4 %	0.74
50%	91.8 %	0.63

TORQUE		
FULL LOAD	LRT	BDT
61.03 lb.ft.	337 %	372 %

AMPERAGE INFORMATION		
	230V	460V
Full Load Amps	25.70	12.85
Locked Rotor Amps	178.10	89.05
No Load Current	11.41	5.71

BEARING INFORMATION	
DE Bearing	6309 ZZ
ODE Bearing	6309 ZZ
Grease Type	NS7

ADDITIONAL DATA	
Multi-Mount	Yes
Shaft Material	AISI 1040/45
Connection Diagram	9 Lead Wye
Approximate Weight	TBD kg

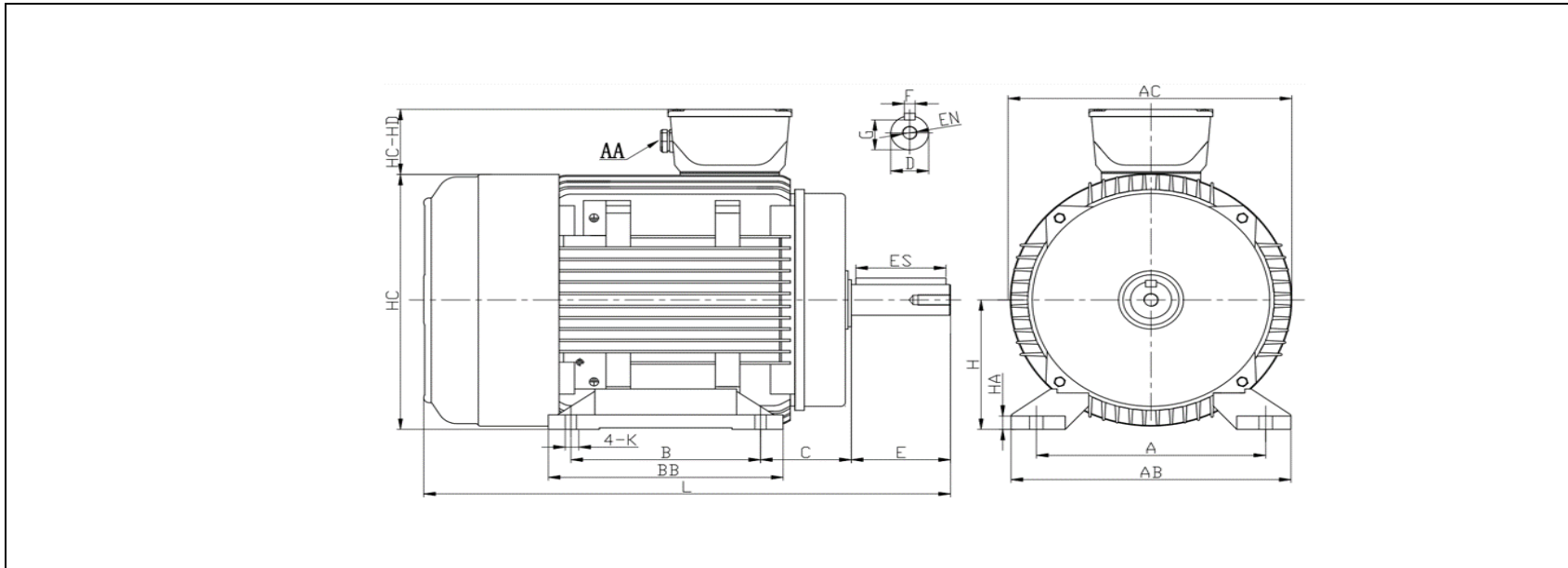
MOTOR DRAWING

Premium Efficiency Motor: **IEC10-12-160**

WorldWide Electric Corporation

1 (800) 808-2131

Worldwideelectric.net



DIMENSION - METRIC (mm)

MOUNTING					L	H	HA	AC	HC	K
A	B	C	AB	BB						
254	210	108	310	260	600	160	18	310	319	14.5

SHAFT & KEY					
F	ES	G	E	D	EN
12	80	37	110	42	M16*32mm

TERMINAL BOX	
AA	HD-HC
M32	81

PERFORMANCE CURVES

Premium Efficiency Motor:

IEC10-12-160

WorldWide Electric Corporation

1 (800) 808-2131

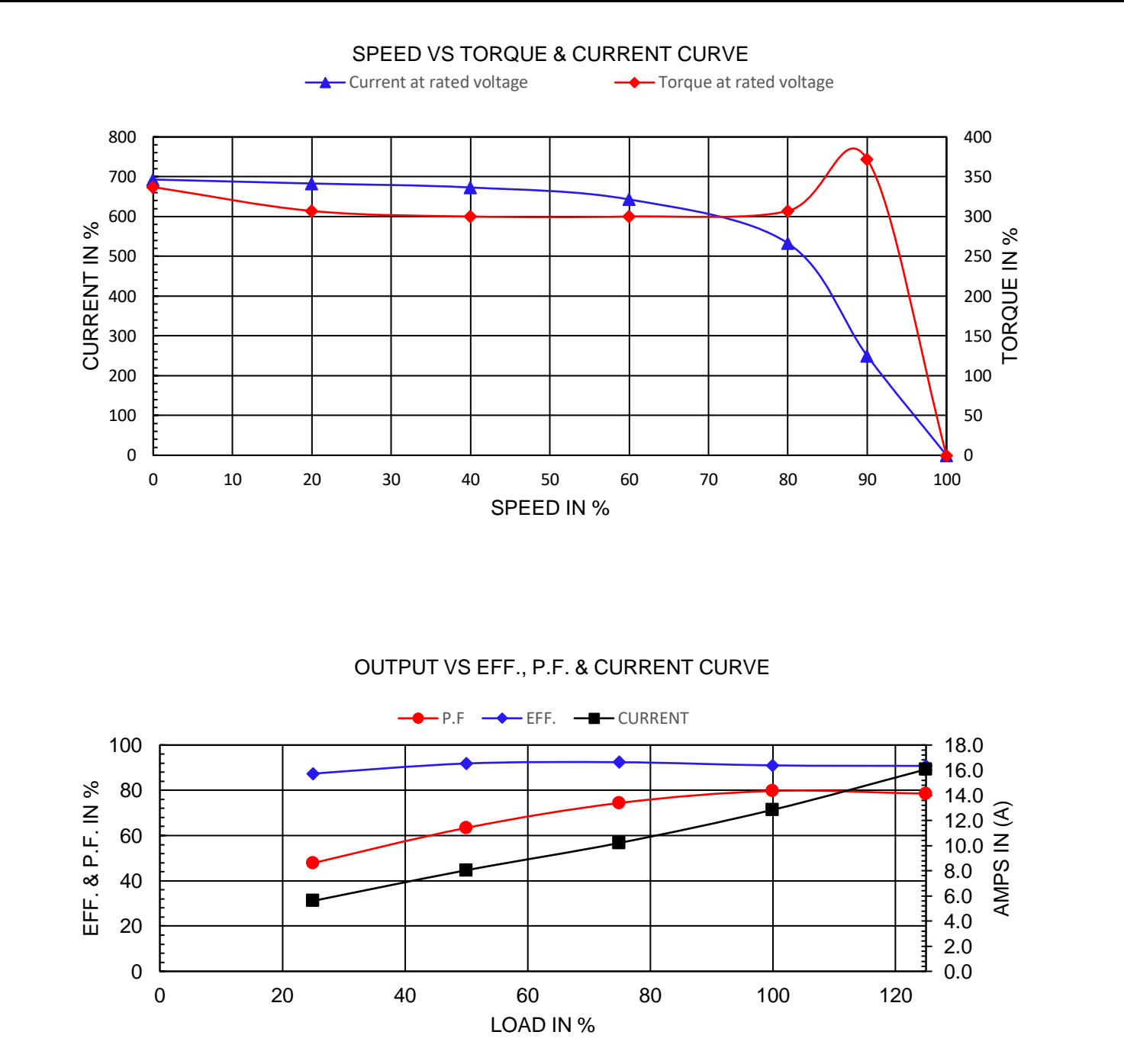
Worldwideelectric.net



Document Generated: 14-Jul-2023
Document ID:

Customer:

Motor Type					
Output Rating (HP)	10		FL Speed	1173	
Full Load Torque	61.030 lb.ft		LRT (%FLT)	337	460 volt FLA 12.85
Rotor Wk ²	2.6344 lb-ft ²		BDT (%FLT)	372	230 volt FLA 25.70



NAMEPLATE / WIRING

Premium Efficiency Motor: **IEC10-12-160**

WorldWide Electric Corporation

1 (800) 808-2131

Worldwideelectric.net



Document Generated: 14-Jul-2023
Document ID:

Customer:

SAMPLE NAMEPLATE DATA

		3-PHASE INDUCTION MOTOR						IE3 CE			
						<small>ENERGY C US E309286</small>		<small>IEC 60034-1</small>			
TYPE		OUTPUT		HP	kW	INS.F	FR.	IP55	AMB.40°C		
V	Hz	A	r/min	SF	IE CODE	η 100%	η 75%	η 50%			
				Code " " at 60Hz			Duty	S1			
				DES	N	DE BRG					
				IC	411	ODE BRG					
				SN.		Date	Weight	kg			

TYPE	IEC10-12-160		OUTPUT	HP	10	kW	7.46	FRAME	160M
V	Hz	A	r/min.	SF	IE CODE	η100%	η75%	η50%	
190/380	50	30.76/15.38	962	1.00	IE3	89.1	91.1	91.6	
230/460	60	25.7/12.85	1173	1.15	IE3	91.0	92.4	91.8	

Code"	H	"at 60Hz	DE BRG	6309 ZZ	Weight	TBD kg
			ODE BRG	6309 ZZ		