

DATA SHEET

Premium Efficiency Motor: **IEC10-36-132,**

60 Hz

WorldWide Electric Corporation

1 (800) 808-2131

Worldwideelectric.net



Document Generated: 14-Jul-2023
Document ID:

Customer:

MOTOR INFORMATION	
HP	10
RPM	3600
Phase	3
Frequency	60
Voltage	230/460
Frame Size	132S
Enclosure	TEFC
Degree of Protection	IP55
Service Factor	1.15
Poles	2
Full Load Speed	3531
Insulation Class	F
Temp Rise	80°C
NEMA Code Letter	K
Duty Cycle	S1
Slip	1.92%
IEC Design	N
Moment of Inertia	0.2808 lb.ft.^2
Locked Rotor Time (Hot)	12 seconds
Sound Pressure Level	91 dB(A)
Number of Starts	2 Hot / 3 Cold
Max Ambient Temperature	40° C
Max Elevation	1000 m.a.s.l (3300 f.a.s.l)
Mounting	F3
Rotation	Bidirectional
Area of Classification	Safe
Inverter Rating	10:1 CT/20:1 VT
Standard	IEC 60034 and IEC 60072
Approvals	UL, CE

EFFICIENCY/POWER FACTOR		
LOAD	EFF	P. F.
100%	90.2 %	0.85
75%	91.5 %	0.80
50%	90.4 %	0.70

TORQUE		
FULL LOAD	LRT	BDT
20.25 lb.ft.	546 %	581 %

AMPERAGE INFORMATION		
	230V	460V
Full Load Amps	24.16	12.08
Locked Rotor Amps	224.40	112.20
No Load Current	9.99	5.00

BEARING INFORMATION	
DE Bearing	6308 ZZ
ODE Bearing	6306 ZZ
Grease Type	NS7

ADDITIONAL DATA	
Multi-Mount	Yes
Shaft Material	AISI 1040/45
Connection Diagram	9 Lead Wye
Approximate Weight	46.2 kg

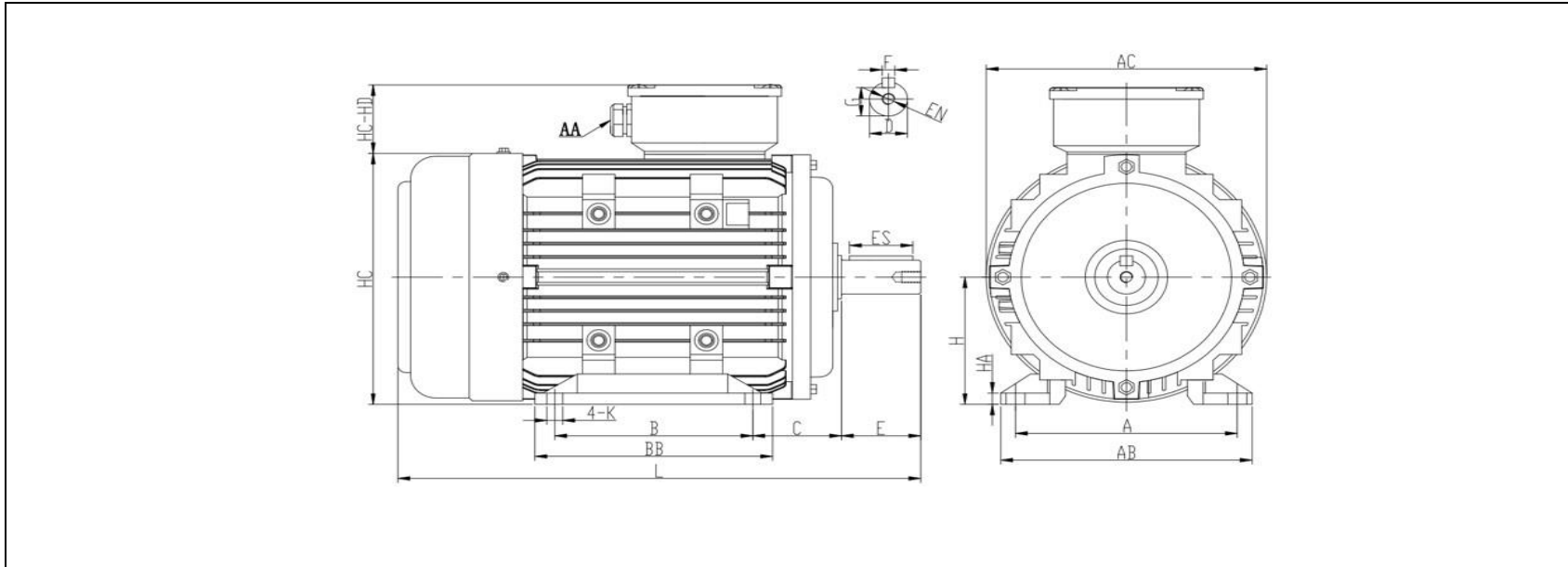
MOTOR DRAWING

Premium Efficiency Motor: **IEC10-36-132**

WorldWide Electric Corporation

1 (800) 808-2131

Worldwideelectric.net



DIMENSION - METRIC (mm)

MOUNTING					L	H	HA	AC	HC	K
A	B	C	AB	BB						
216	140	89	268	185	454.5	132	17	234	249	12

SHAFT & KEY					
F	ES	G	E	D	EN
10	63	33	80	38	M12*30mm

TERMINAL BOX	
AA	HD-HC
M32	80

PERFORMANCE CURVES

WorldWide Electric Corporation

1 (800) 808-2131

Worldwideelectric.net



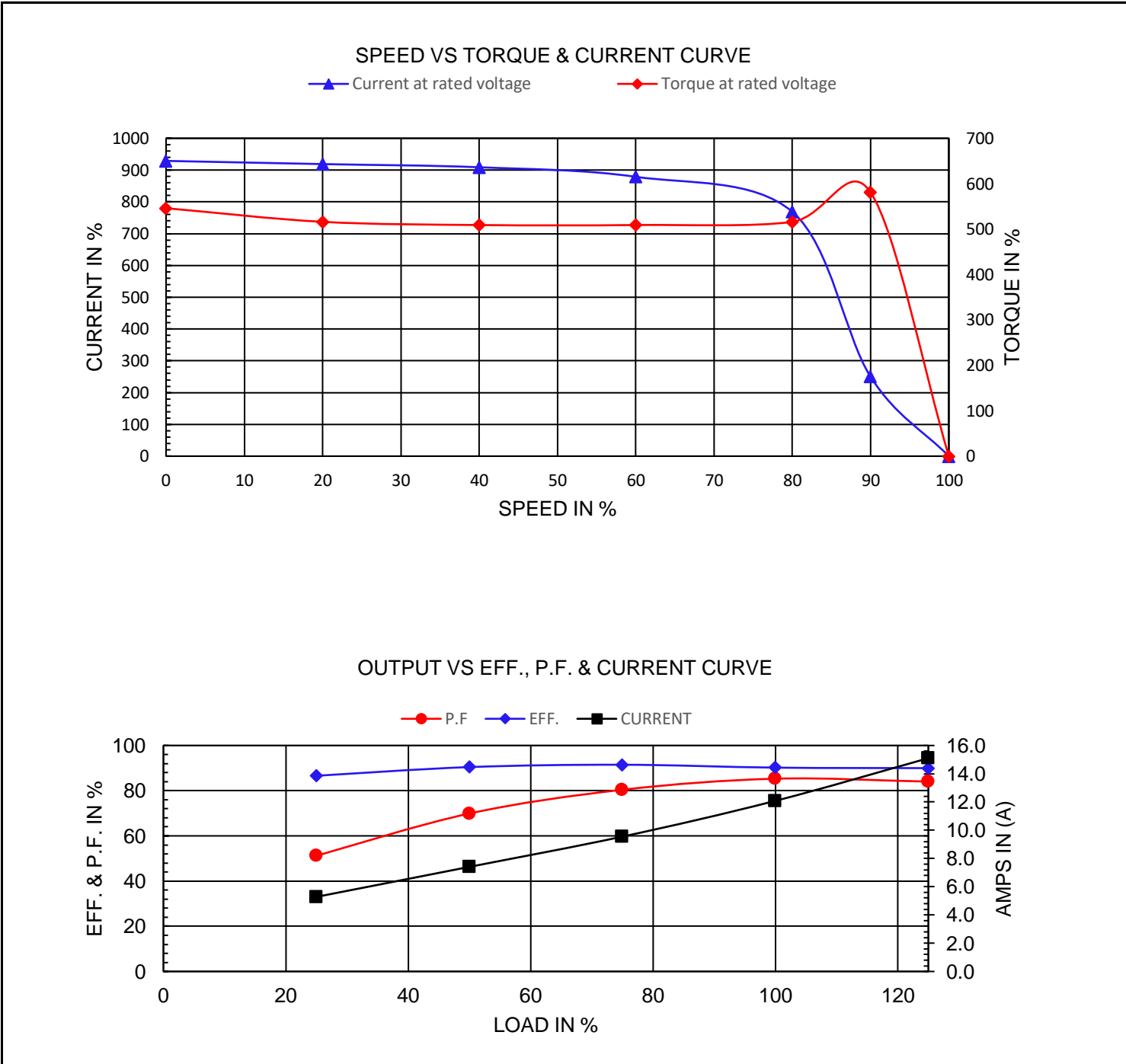
Premium Efficiency Motor:

IEC10-36-132

Document Generated: 14-Jul-2023
Document ID:

Customer:

Motor Type					
Output Rating (HP)	10	FL Speed	3531		
Full Load Torque	20.250 lb.ft	LRT (%FLT)	546	460 volt FLA	12.08
Rotor Wk^2	0.2808 lb-ft^2	BDT (%FLT)	581	230 volt FLA	24.16



NAMEPLATE / WIRING

Premium Efficiency Motor: **IEC10-36-132**

WorldWide Electric Corporation

1 (800) 808-2131

Worldwideelectric.net



Document Generated: 14-Jul-2023
Document ID:

Customer:

SAMPLE NAMEPLATE DATA

		3-PHASE INDUCTION MOTOR						IE3 CE			
						<small>ENERGY C US E309286</small>		<small>IEC 60034-1</small>			
TYPE		OUTPUT		HP	kW	INS.F	FR.	IP55	AMB.40°C		
V	Hz	A	r/min	SF	IE CODE	η 100%	η 75%	η 50%			
				Code " " at 60Hz			Duty	S1			
				DES	N	DE BRG					
				IC	411	ODE BRG					
				SN.		Date	Weight	kg			

TYPE	IEC10-36-132		OUTPUT	HP	10	kW	7.46	FRAME	132S
V	Hz	A	r/min.	SF	IE CODE	η100%	η75%	η50%	
190/380	50	28.58/14.29	2905	1.00	IE3	90.1	91.3	91.5	
230/460	60	24.16/12.08	3531	1.15	IE3	90.2	91.5	90.4	

Code"	K	"at 60Hz	DE BRG	6308 ZZ	Weight	46.2 kg
			ODE BRG	6306 ZZ		