

DATA SHEET

Premium Efficiency Motor: **IEC12-18-71,**

60 Hz

WorldWide Electric Corporation

1 (800) 808-2131

Worldwideelectric.net



Document Generated: 14-Jul-2023
Document ID:

Customer:

MOTOR INFORMATION	
HP	1/2
RPM	1800
Phase	3
Frequency	60
Voltage	230/460
Frame Size	71
Enclosure	TEFC
Degree of Protection	IP55
Service Factor	1.15
Poles	4
Full Load Speed	1719
Insulation Class	F
Temp Rise	80°C
NEMA Code Letter	L
Duty Cycle	S1
Slip	4.48%
IEC Design	N
Moment of Inertia	0.0237 lb.ft.^2
Locked Rotor Time (Hot)	12 seconds
Sound Pressure Level	67 dB(A)
Number of Starts	2 Hot / 3 Cold
Max Ambient Temperature	40° C
Max Elevation	1000 m.a.s.l (3300 f.a.s.l)
Mounting	F3
Rotation	Bidirectional
Area of Classification	Safe
Inverter Rating	10:1 CT/20:1 VT
Standard	IEC 60034 and IEC 60072
Approvals	UL, CE

EFFICIENCY/POWER FACTOR		
LOAD	EFF	P. F.
100%	78.2 %	0.59
75%	77.8 %	0.49
50%	72.8 %	0.37

TORQUE		
FULL LOAD	LRT	BDT
2.044 lb.ft.	546 %	559 %

AMPERAGE INFORMATION		
	230V	460V
Full Load Amps	1.99	0.99
Locked Rotor Amps	12.18	6.09
No Load Current	1.63	0.82

BEARING INFORMATION	
DE Bearing	6202 ZZ
ODE Bearing	6202 ZZ
Grease Type	NS7

ADDITIONAL DATA	
Multi-Mount	Yes
Shaft Material	AISI 1040/45
Connection Diagram	9 Lead Wye
Approximate Weight	7.7 kg

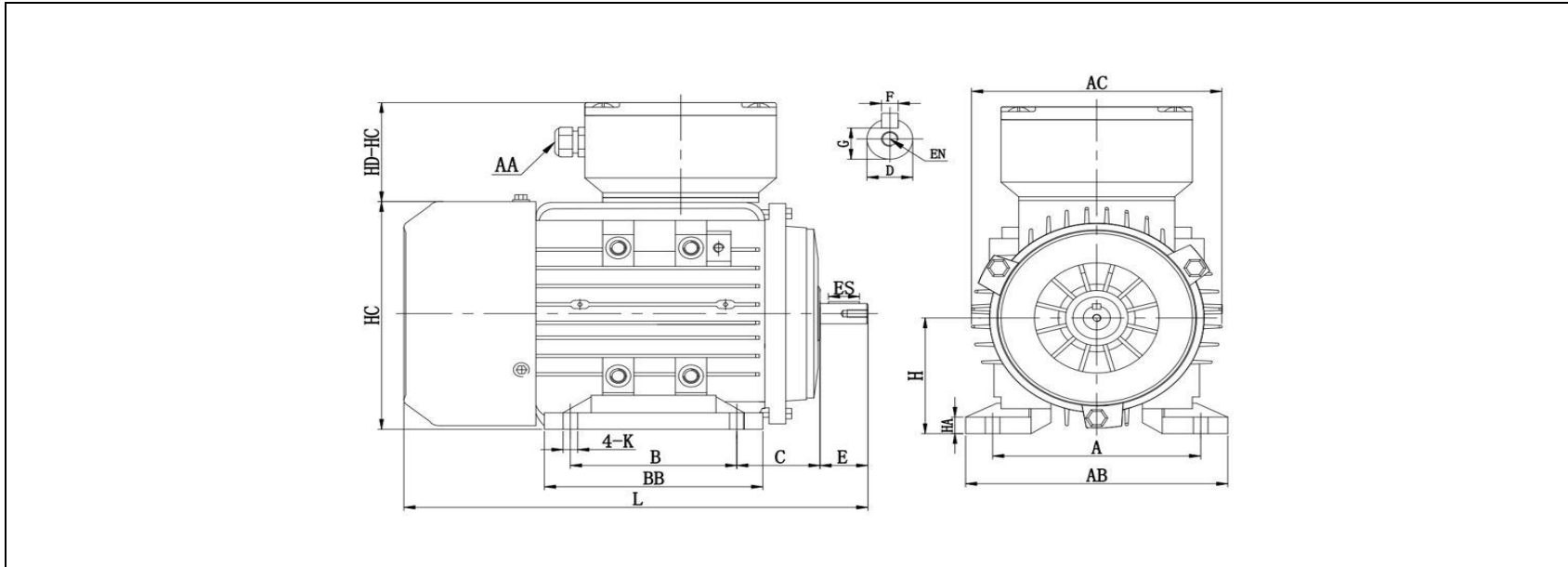
MOTOR DRAWING

Premium Efficiency Motor: **IEC12-18-71**

WorldWide Electric Corporation

1 (800) 808-2131

Worldwideelectric.net



DIMENSION - METRIC (mm)

MOUNTING					L	H	HA	AC	HC	K
A	B	C	AB	BB						
112	90	45	142	112	251	71	9	138	140	7

SHAFT & KEY					
F	ES	G	E	D	EN
5	20	11	30	14	M5*12mm

TERMINAL BOX	
AA	HD-HC
M20	60

PERFORMANCE CURVES

Premium Efficiency Motor: **IEC12-18-71**

WorldWide Electric Corporation

1 (800) 808-2131

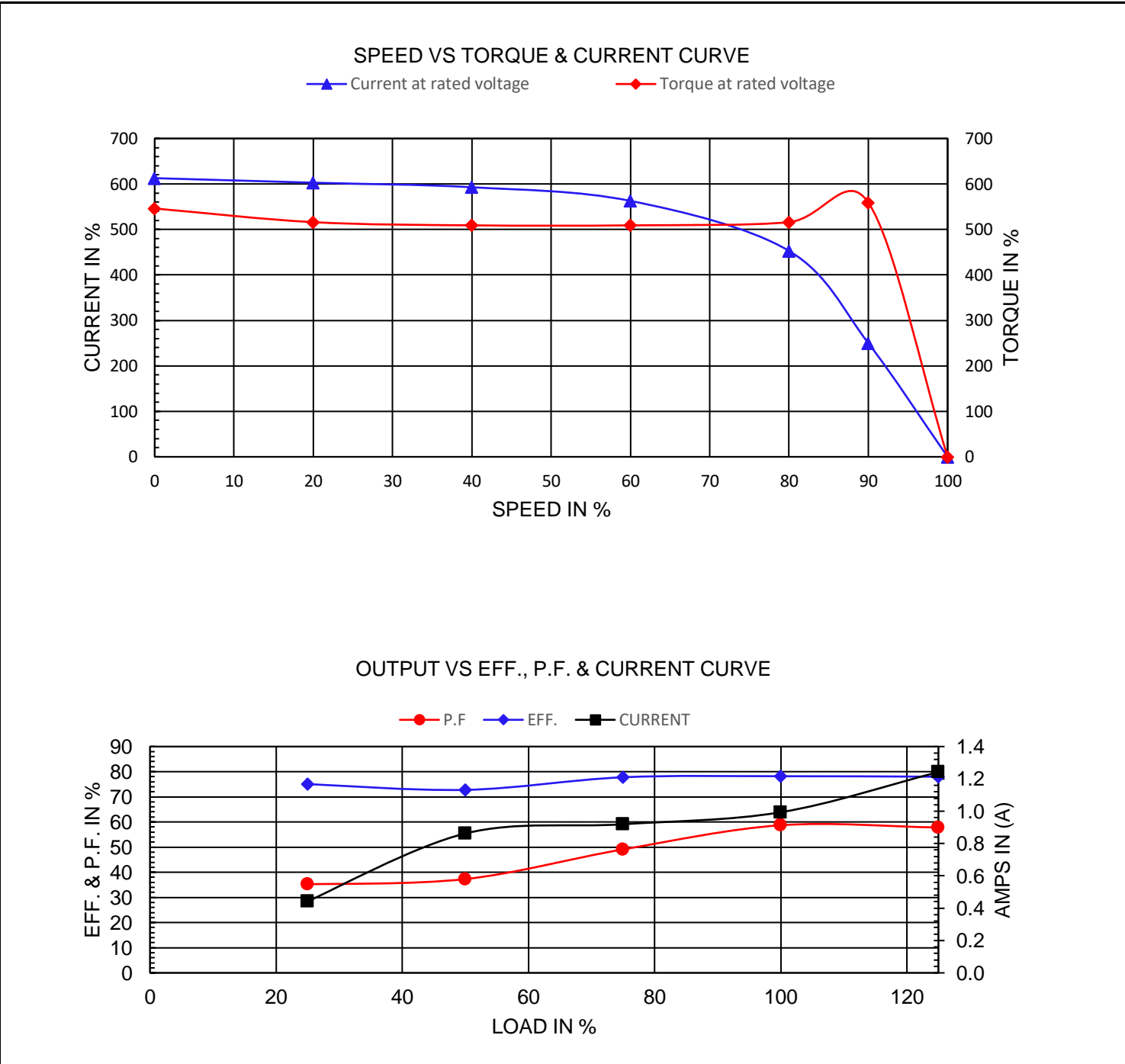
Worldwideelectric.net



Document Generated: 14-Jul-2023
Document ID:

Customer:

Motor Type					
Output Rating (HP)	1/2		FL Speed	1719	
Full Load Torque	2.044 lb.ft		LRT (%FLT)	546	460 volt FLA 0.99
Rotor Wk ²	0.0237 lb-ft ²		BDT (%FLT)	559	230 volt FLA 1.99



NAMEPLATE / WIRING

Premium Efficiency Motor: **IEC12-18-71**

WorldWide Electric Corporation

1 (800) 808-2131

Worldwideelectric.net



Document Generated: 14-Jul-2023
Document ID:

Customer:

SAMPLE NAMEPLATE DATA

		3-PHASE INDUCTION MOTOR						IE3 CE	
		CC306B						IEC 60034-1	
TYPE		OUTPUT		HP	kW	INS.F	FR.	IP55	AMB.40°C
V	Hz	A	r/min	SF	IE CODE	η 100%	η 75%	η 50%	
				Code " " at 60Hz		Duty	S1		
DES		N		DE BRG					
IC		411		ODE BRG					
SN.		Date		Weight		kg			
<h1>WorldWide Electric Corporation</h1>									

TYPE	IEC12-18-71		OUTPUT	HP	1/2	kW	0.37	FRAME	71
V	Hz	A	r/min.	SF	IE CODE	η100%	η75%	η50%	
190/380	50	2.14/1.07	1392	1.00	IE3	77.3	77.5	74.1	
230/460	60	1.99/0.99	1719	1.15	IE3	78.2	77.8	72.8	

Code"	L	"at 60Hz	DE BRG	6202 ZZ	Weight	7.7 kg
			ODE BRG	6202 ZZ		