

# DATA SHEET

Premium Efficiency Motor: **IEC14-18-63,**

**60 Hz**

WorldWide Electric Corporation

1 (800) 808-2131

Worldwideelectric.net



Document Generated: 14-Jul-2023  
Document ID:

Customer:

MOTOR INFORMATION	
HP	1/4
RPM	1800
Phase	3
Frequency	60
Voltage	230/460
Frame Size	63
Enclosure	TEFC
Degree of Protection	IP55
Service Factor	1.15
Poles	4
Full Load Speed	1722
Insulation Class	F
Temp Rise	80°C
NEMA Code Letter	K
Duty Cycle	S1
Slip	4.34%
IEC Design	N
Moment of Inertia	0.0072 lb.ft.^2
Locked Rotor Time (Hot)	12 seconds
Sound Pressure Level	45 dB(A)
Number of Starts	2 Hot / 3 Cold
Max Ambient Temperature	40° C
Max Elevation	1000 m.a.s.l (3300 f.a.s.l)
Mounting	F3
Rotation	Bidirectional
Area of Classification	Safe
Inverter Rating	10:1 CT/20:1 VT
Standard	IEC 60034 and IEC 60072
Approvals	UL, CE

EFFICIENCY/POWER FACTOR		
LOAD	EFF	P. F.
100%	69.5 %	0.56
75%	70.4 %	0.47
50%	63.6 %	0.36

TORQUE		
FULL LOAD	LRT	BDT
0.9937 lb.ft.	415 %	417 %

AMPERAGE INFORMATION		
	230V	460V
Full Load Amps	1.10	0.55
Locked Rotor Amps	5.55	2.77
No Load Current	0.96	0.48

BEARING INFORMATION	
DE Bearing	6201 ZZ
ODE Bearing	6201 ZZ
Grease Type	NS7

ADDITIONAL DATA	
Multi-Mount	Yes
Shaft Material	AISI 1040/45
Connection Diagram	9 Lead Wye
Approximate Weight	5 kg

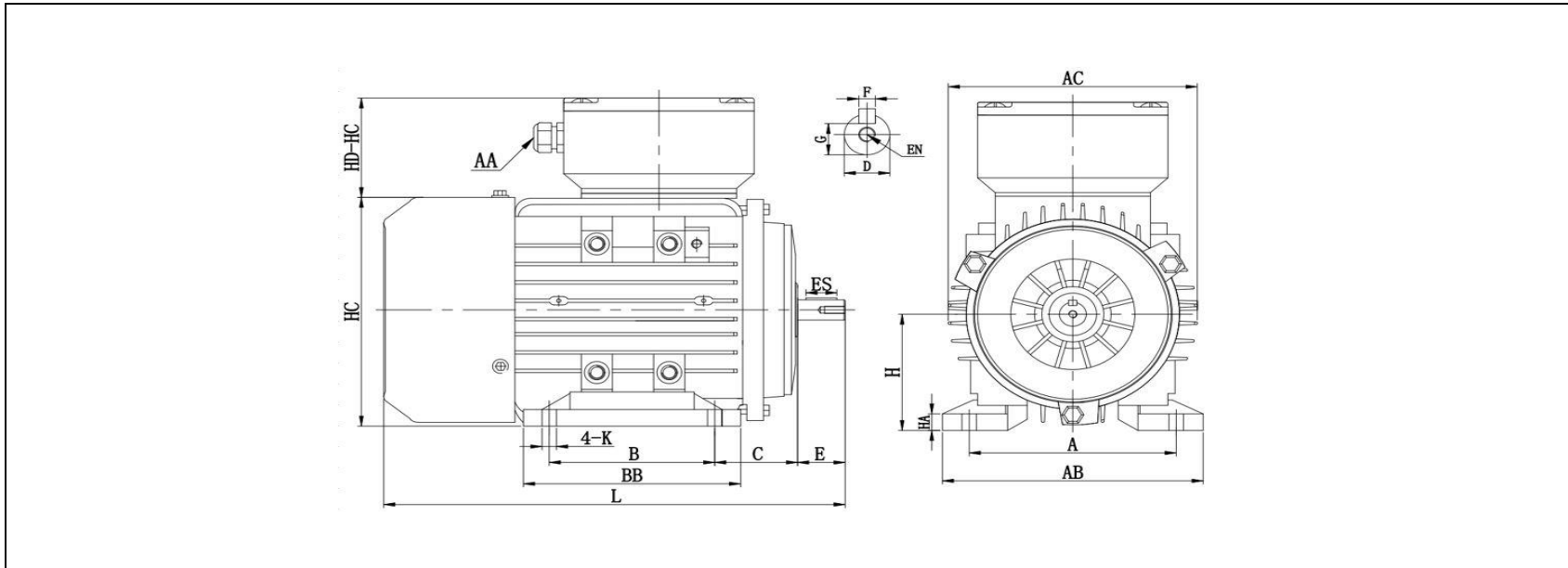
# MOTOR DRAWING

Premium Efficiency Motor: **IEC14-18-63**

WorldWide Electric Corporation

1 (800) 808-2131

Worldwideelectric.net



**DIMENSION - METRIC (mm)**

MOUNTING					L	H	HA	AC	HC	K
A	B	C	AB	BB						
100	80	40	126	105	225	63	9	121	124	7

SHAFT & KEY					
F	ES	G	E	D	EN
4	15	8.5	23	11	M4*12mm

TERMINAL BOX	
AA	HD-HC
M20	55

# PERFORMANCE CURVES

WorldWide Electric Corporation

1 (800) 808-2131

Worldwideelectric.net



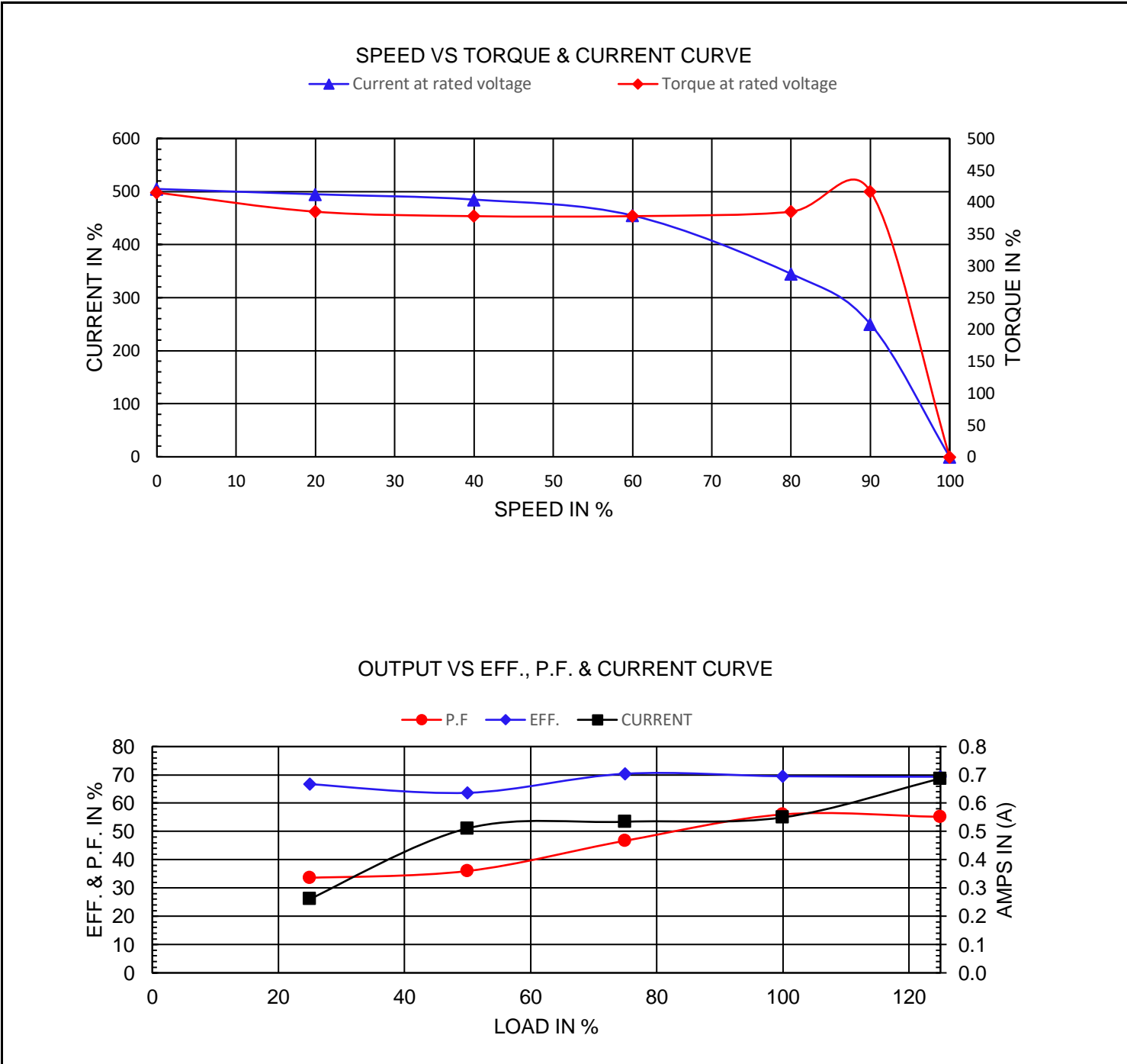
Premium Efficiency Motor:

**IEC14-18-63**

Document Generated: 14-Jul-2023  
Document ID:

Customer:

Motor Type					
Output Rating (HP)	1/4		FL Speed	1722	
Full Load Torque	0.994 lb.ft		LRT (%FLT)	415	460 volt FLA 0.55
Rotor Wk^2	0.0072 lb-ft^2		BDT (%FLT)	417	230 volt FLA 1.10



# NAMEPLATE / WIRING

Premium Efficiency Motor: **IEC14-18-63**

WorldWide Electric Corporation

1 (800) 808-2131

Worldwideelectric.net



Document Generated: 14-Jul-2023  
Document ID:

Customer:

## SAMPLE NAMEPLATE DATA

		<b>3-PHASE INDUCTION MOTOR</b>				ENERGY E309286		<b>IE3 CE</b>	
		CC306B				IEC 60034-1			
TYPE		OUTPUT		HP	kW	INS.F	FR.	IP55	AMB.40°C
V	Hz	A	r/min	SF	IE CODE	η 100%	η 75%	η 50%	
				Code " "		" at 60Hz		Duty	S1
4	5	6	4	5	6	DES	N	DE BRG	
7	8	9	7	8	9	IC	411	ODE BRG	
1	2	3	1	2	3	SN.	Date	Weight	kg
2Y		Y							
<b>WorldWide Electric Corporation</b>									

TYPE	IEC14-18-63		OUTPUT	HP	1/4	kW	0.19	FRAME	63
V	Hz	A	r/min.	SF	IE CODE	η100%	η75%	η50%	
190/380	50	1.17/0.58	1397	1.00	IE3	69.9	70.6	65.4	
230/460	60	1.10/0.55	1722	1.15	IE3	69.5	70.4	63.6	

Code"	K	"at 60Hz	DE BRG	6201 ZZ	Weight	5 kg
			ODE BRG	6201 ZZ		