

DATA SHEET

Premium Efficiency Motor: **IEC15-12-160,**

60 Hz

WorldWide Electric Corporation

1 (800) 808-2131

Worldwideelectric.net



Document Generated: 14-Jul-2023
Document ID:

Customer:

MOTOR INFORMATION	
HP	15
RPM	1200
Phase	3
Frequency	60
Voltage	230/460
Frame Size	160L
Enclosure	TEFC
Degree of Protection	IP55
Service Factor	1.15
Poles	6
Full Load Speed	1175
Insulation Class	F
Temp Rise	80°C
NEMA Code Letter	K
Duty Cycle	S1
Slip	2.11%
IEC Design	N
Moment of Inertia	3.289 lb.ft.^2
Locked Rotor Time (Hot)	12 seconds
Sound Pressure Level	94 dB(A)
Number of Starts	2 Hot / 3 Cold
Max Ambient Temperature	40° C
Max Elevation	1000 m.a.s.l (3300 f.a.s.l)
Mounting	F3
Rotation	Bidirectional
Area of Classification	Safe
Inverter Rating	10:1 CT/20:1 VT
Standard	IEC 60034 and IEC 60072
Approvals	UL, CE

EFFICIENCY/POWER FACTOR		
LOAD	EFF	P. F.
100%	91.7 %	0.78
75%	92.4 %	0.72
50%	91.6 %	0.60

TORQUE		
FULL LOAD	LRT	BDT
89.24 lb.ft.	463 %	515 %

AMPERAGE INFORMATION		
	230V	460V
Full Load Amps	38.34	19.17
Locked Rotor Amps	321.40	160.70
No Load Current	18.67	9.34

BEARING INFORMATION	
DE Bearing	6309 ZZ
ODE Bearing	6309 ZZ
Grease Type	NS7

ADDITIONAL DATA	
Multi-Mount	Yes
Shaft Material	AISI 1040/45
Connection Diagram	9 Lead Wye
Approximate Weight	TBD kg

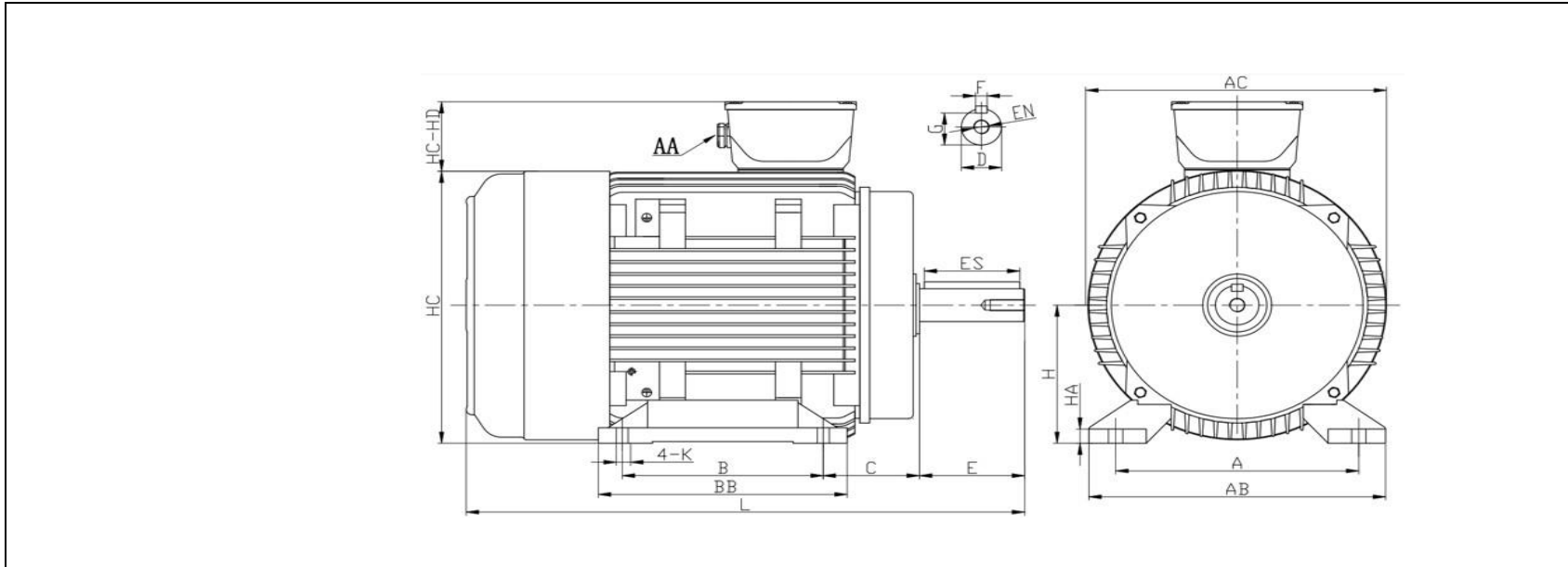
MOTOR DRAWING

Premium Efficiency Motor: **IEC15-12-160**

WorldWide Electric Corporation

1 (800) 808-2131

Worldwideelectric.net



DIMENSION - METRIC (mm)

MOUNTING					L	H	HA	AC	HC	K
A	B	C	AB	BB						
254	254	108	310	304	640	160	18	310	319	14.5

SHAFT & KEY					
F	ES	G	E	D	EN
12	80	37	110	42	M16*32mm

TERMINAL BOX	
AA	HD-HC
M32	81

PERFORMANCE CURVES

WorldWide Electric Corporation

1 (800) 808-2131

Worldwideelectric.net



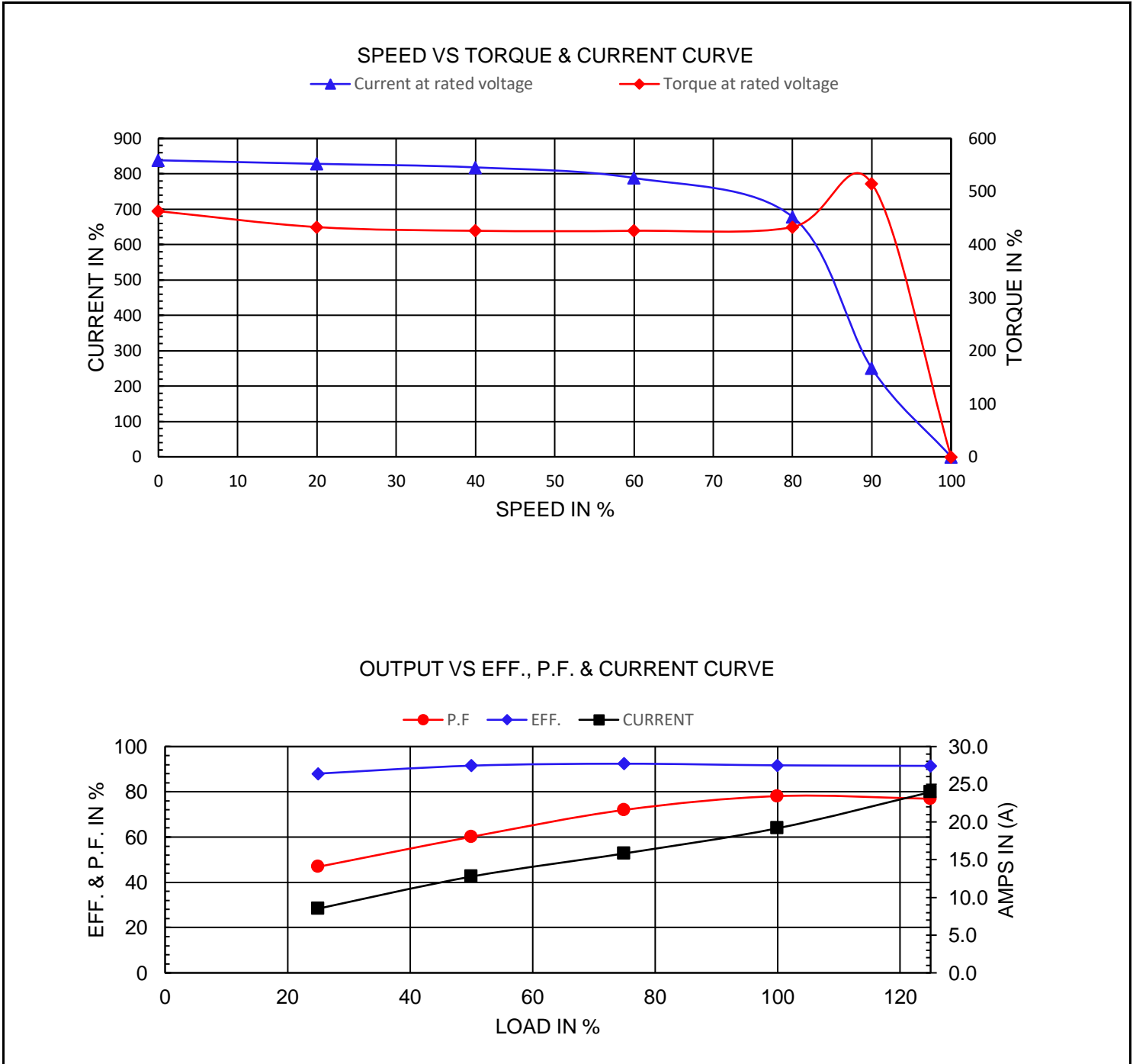
Premium Efficiency Motor:

IEC15-12-160

Document Generated: 14-Jul-2023
Document ID:

Customer:

Motor Type					
Output Rating (HP)	15		FL Speed	1175	
Full Load Torque	89.240 lb.ft		LRT (%FLT)	463	460 volt FLA 19.17
Rotor Wk ²	3.289 lb-ft ²		BDT (%FLT)	515	230 volt FLA 38.34



NAMEPLATE / WIRING

Premium Efficiency Motor: **IEC15-12-160**

WorldWide Electric Corporation

1 (800) 808-2131

Worldwideelectric.net



Document Generated: 14-Jul-2023
Document ID:

Customer:

SAMPLE NAMEPLATE DATA

		3-PHASE INDUCTION MOTOR						IE3 CE			
						<small>ENERGY C US E309286</small>		<small>IEC 60034-1</small>			
TYPE		OUTPUT		HP	kW	INS.F	FR.	IP55	AMB.40°C		
V	Hz	A	r/min	SF	IE CODE	η 100%	η 75%	η 50%			
				Code " " at 60Hz			Duty	S1			
				DES	N	DE BRG					
				IC	411	ODE BRG					
				SN.		Date	Weight	kg			

TYPE	IEC15-12-160		OUTPUT	HP	15	kW	#N/A	FRAME	160L
V	Hz	A	r/min.	SF	IE CODE	η100%	η75%	η50%	
190/380	50	#N/A	#N/A	1.00	IE3	#N/A	#N/A	#N/A	
230/460	60	38.34/19.17	1175	1.15	IE3	91.7	92.4	91.6	

Code"	K	"at 60Hz	DE BRG	6309 ZZ	Weight	TBD kg
			ODE BRG	6309 ZZ		