

# DATA SHEET

Premium Efficiency Motor: **IEC15-36-160,**

**60 Hz**

WorldWide Electric Corporation

1 (800) 808-2131

Worldwideelectric.net



Document Generated: 14-Jul-2023  
Document ID:

Customer:

MOTOR INFORMATION	
HP	15
RPM	3600
Phase	3
Frequency	60
Voltage	230/460
Frame Size	160M
Enclosure	TEFC
Degree of Protection	IP55
Service Factor	1.15
Poles	2
Full Load Speed	3548
Insulation Class	F
Temp Rise	80°C
NEMA Code Letter	K
Duty Cycle	S1
Slip	1.43%
IEC Design	N
Moment of Inertia	1.08 lb.ft.^2
Locked Rotor Time (Hot)	12 seconds
Sound Pressure Level	94 dB(A)
Number of Starts	2 Hot / 3 Cold
Max Ambient Temperature	40° C
Max Elevation	1000 m.a.s.l (3300 f.a.s.l)
Mounting	F3
Rotation	Bidirectional
Area of Classification	Safe
Inverter Rating	10:1 CT/20:1 VT
Standard	IEC 60034 and IEC 60072
Approvals	UL, CE

EFFICIENCY/POWER FACTOR		
LOAD	EFF	P. F.
100%	91.0 %	0.90
75%	92.6 %	0.87
50%	91.7 %	0.80

TORQUE		
FULL LOAD	LRT	BDT
29.36 lb.ft.	438 %	618 %

AMPERAGE INFORMATION		
	230V	460V
Full Load Amps	33.24	16.62
Locked Rotor Amps	319.80	159.90
No Load Current	10.06	5.03

BEARING INFORMATION	
DE Bearing	6309 ZZ
ODE Bearing	6309 ZZ
Grease Type	NS7

ADDITIONAL DATA	
Multi-Mount	Yes
Shaft Material	AISI 1040/45
Connection Diagram	9 Lead Wye
Approximate Weight	85 kg

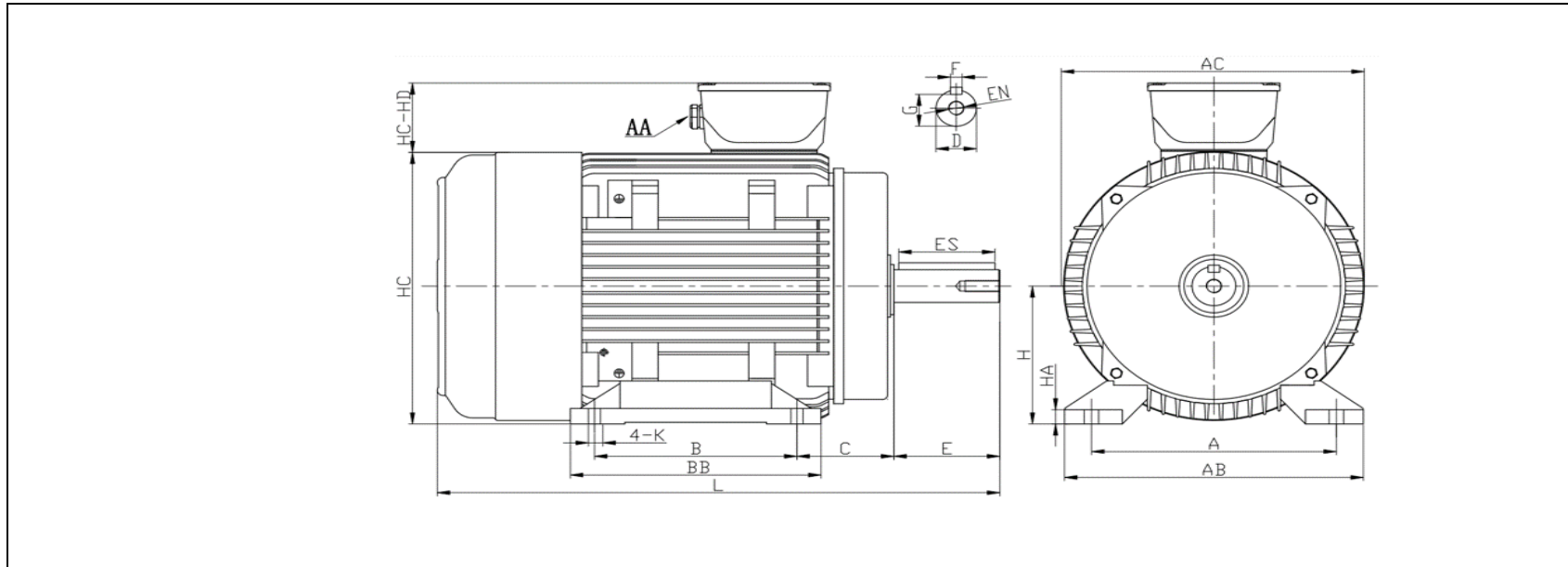
# MOTOR DRAWING

Premium Efficiency Motor: **IEC15-36-160**

WorldWide Electric Corporation

1 (800) 808-2131

Worldwideelectric.net



## DIMENSION - METRIC (mm)

MOUNTING					L	H	HA	AC	HC	K
A	B	C	AB	BB						
254	210	108	310	260	600	160	18	310	319	14.5

SHAFT & KEY					
F	ES	G	E	D	EN
12	80	37	110	42	M16*32mm

TERMINAL BOX	
AA	HD-HC
M32	81

# PERFORMANCE CURVES

Premium Efficiency Motor:

**IEC15-36-160**

WorldWide Electric Corporation

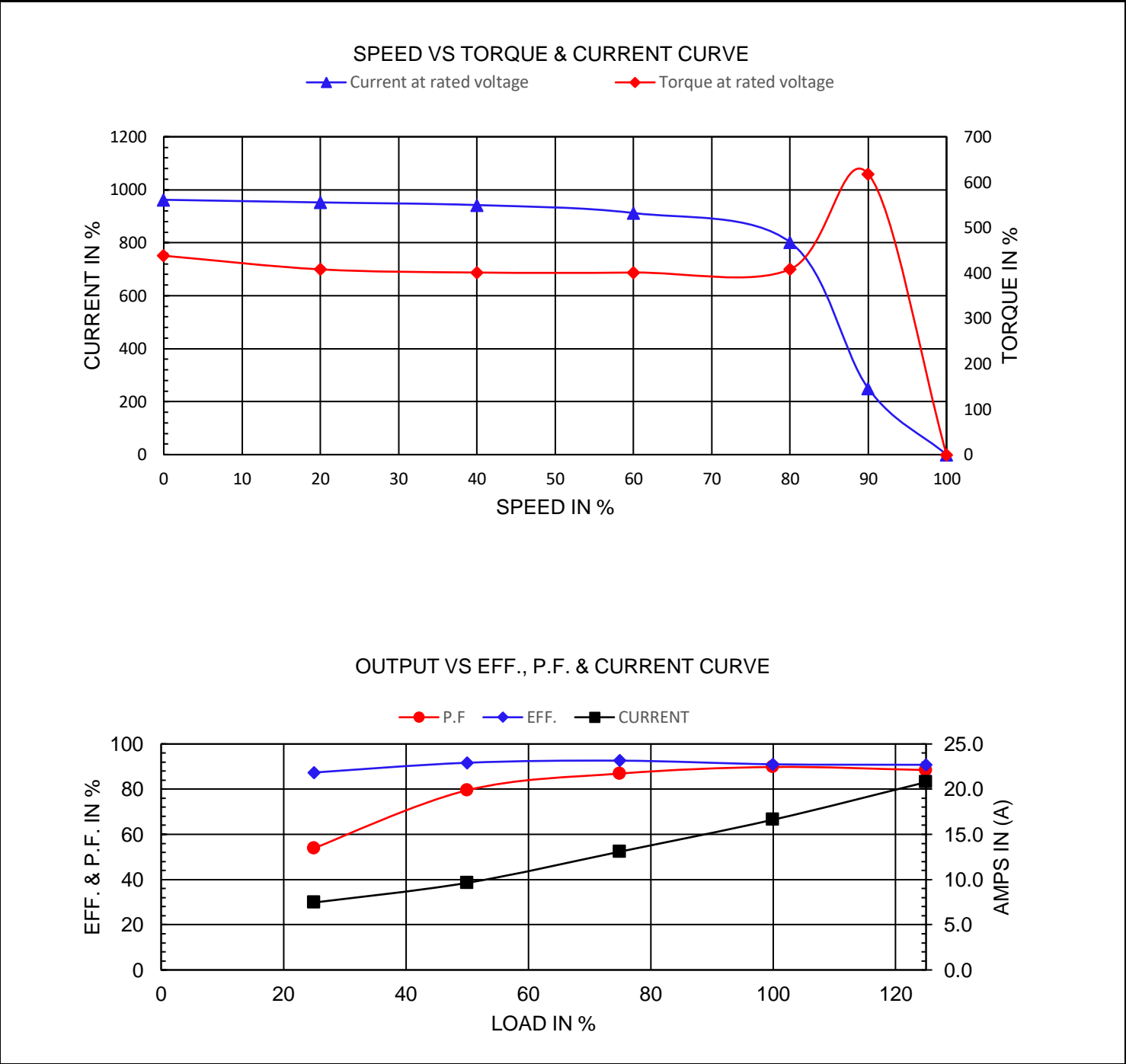
1 (800) 808-2131

Worldwideelectric.net



Document Generated: 14-Jul-2023	Customer:
Document ID:	

Motor Type					
Output Rating (HP)	15	FL Speed	3548		
Full Load Torque	29.360 lb.ft	LRT (%FLT)	438	460 volt FLA	16.62
Rotor Wk^2	1.08 lb-ft^2	BDT (%FLT)	618	230 volt FLA	33.24



# NAMEPLATE / WIRING

Premium Efficiency Motor: **IEC15-36-160**

WorldWide Electric Corporation

1 (800) 808-2131

Worldwideelectric.net



Document Generated: 14-Jul-2023  
Document ID:

Customer:

## SAMPLE NAMEPLATE DATA

		<b>3-PHASE INDUCTION MOTOR</b>						<b>IE3 CE</b>			
						<small>ENERGY C US E309286</small>		<small>IEC 60034-1</small>			
TYPE		OUTPUT		HP	kW	INS.F	FR.	IP55	AMB.40°C		
V	Hz	A	r/min	SF	IE CODE	η 100%	η 75%	η 50%			
				Code " " at 60Hz			Duty	S1			
				DES	N	DE BRG					
				IC	411	ODE BRG					
				SN.		Date	Weight	kg			

TYPE	IEC15-36-160		OUTPUT	HP	15	kW	11.19	FRAME	160M
V	Hz	A	r/min.	SF	IE CODE	η100%	η75%	η50%	
190/380	50	39.96/19.98	2931	1.00	IE3	91.2	92.6	92.7	
230/460	60	33.24/16.62	3548	1.15	IE3	91.0	92.6	91.7	

Code"	K	"at 60Hz	DE BRG	6309 ZZ	Weight	85 kg
			ODE BRG	6309 ZZ		