

# DATA SHEET

Premium Efficiency Motor: **IEC2-18-90-FF,**

**60 Hz**

WorldWide Electric Corporation

1 (800) 808-2131

Worldwideelectric.net



Document Generated: 17-Jul-2023  
Document ID:

Customer:

MOTOR INFORMATION	
HP	2
RPM	1800
Phase	3
Frequency	60
Voltage	230/460
Frame Size	90L
Enclosure	TEFC
Degree of Protection	IP55
Service Factor	1.15
Poles	4
Full Load Speed	1748
Insulation Class	F
Temp Rise	80°C
NEMA Code Letter	L
Duty Cycle	S1
Slip	2.87%
IEC Design	N
Moment of Inertia	0.0961 lb.ft.^2
Locked Rotor Time (Hot)	12 seconds
Sound Pressure Level	85 dB(A)
Number of Starts	2 Hot / 3 Cold
Max Ambient Temperature	40° C
Max Elevation	1000 m.a.s.l (3300 f.a.s.l)
Mounting	B35 - FF Flange with Feet
Rotation	Bidirectional
Area of Classification	Safe
Inverter Rating	10:1 CT/20:1 VT
Standard	IEC 60034 and IEC 60072
Approvals	UL, CE

EFFICIENCY/POWER FACTOR		
LOAD	EFF	P. F.
100%	86.5 %	0.70
75%	86.2 %	0.60
50%	83.3 %	0.47

TORQUE		
FULL LOAD	LRT	BDT
9.198 lb.ft.	359 %	392 %

AMPERAGE INFORMATION		
	230V	460V
Full Load Amps	6.22	3.11
Locked Rotor Amps	46.88	23.44
No Load Current	4.38	2.19

BEARING INFORMATION	
DE Bearing	6205 ZZ
ODE Bearing	6304 ZZ
Grease Type	NS7

ADDITIONAL DATA	
Multi-Mount	Yes
Shaft Material	AISI 1040/45
Connection Diagram	9 Lead Wye
Approximate Weight	18 kg

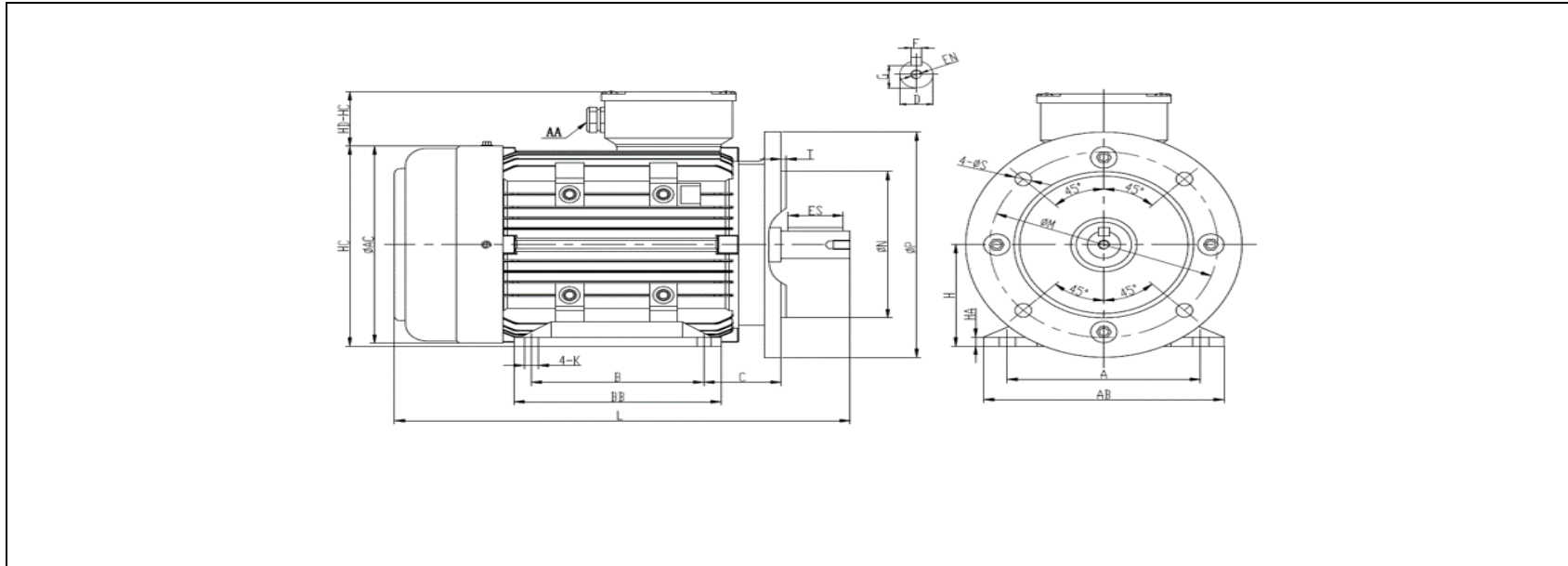
# MOTOR DRAWING

Premium Efficiency Motor: **IEC2-18-90-FF**

WorldWide Electric Corporation

1 (800) 808-2131

Worldwideelectric.net



## DIMENSION - METRIC (mm)

MOUNTING				AB	BB	L	H	HA	AC	HC
A	B	C	K							
140	125	56	10	159	150	330	90	8	175	179

SHAFT & KEY					
F	ES	G	E	D	EN
8	40	20	50	24	M8*25mm

TERMINAL BOX	
AA	HD-HC
M20	49

FLANGE				
N	P	T	M	S
130	200	3.5	165	4*12mm

# PERFORMANCE CURVES

Premium Efficiency Motor:

**IEC2-18-90-FF**

WorldWide Electric Corporation

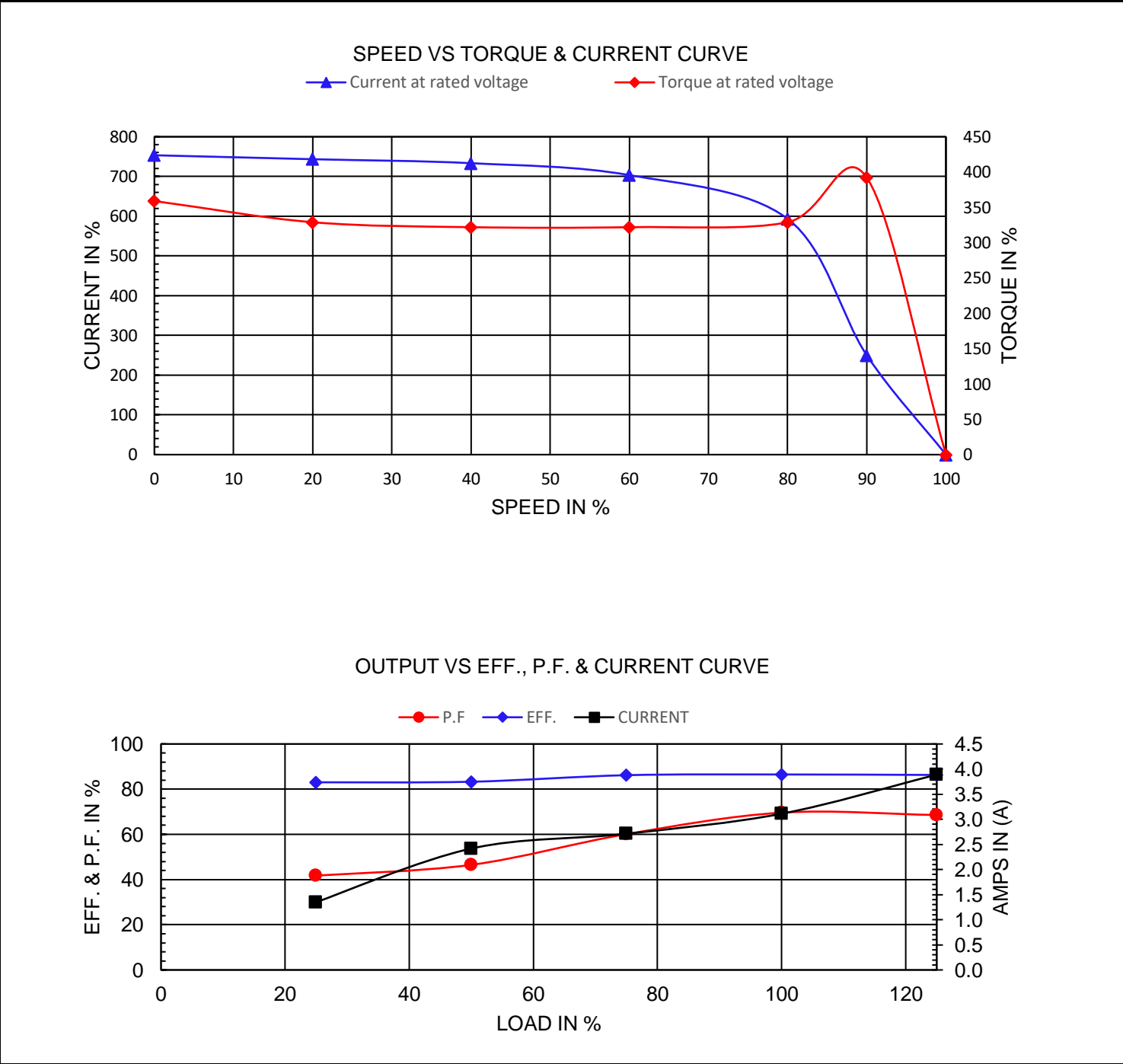
1 (800) 808-2131

Worldwideelectric.net



Document Generated: 17-Jul-2023	Customer:
Document ID:	

Motor Type					
Output Rating (HP)	2		FL Speed	1748	
Full Load Torque	9.198 lb.ft		LRT (%FLT)	359	460 volt FLA 3.11
Rotor Wk <sup>2</sup>	0.0961 lb-ft <sup>2</sup>		BDT (%FLT)	392	230 volt FLA 6.22



# NAMEPLATE / WIRING

Premium Efficiency Motor: **IEC2-18-90-FF**

WorldWide Electric Corporation

1 (800) 808-2131

Worldwideelectric.net



Document Generated: 17-Jul-2023  
Document ID:

Customer:

## SAMPLE NAMEPLATE DATA

		<b>3-PHASE INDUCTION MOTOR</b>						<b>IE3 CE</b>			
						<small>CC306B</small>		<small>IEC 60034-1</small>			
TYPE		OUTPUT		HP	kW	INS.F	FR.	IP55	AMB.40°C		
V	Hz	A	r/min	SF	IE CODE	η 100%	η 75%	η 50%			
				Code " " at 60Hz			Duty	S1			
				DES	N	DE BRG					
				IC	411	ODE BRG					
				SN.		Date		Weight	kg		
		<b>WorldWide Electric Corporation</b>									

TYPE	IEC2-18-90-FF		OUTPUT	HP	2	kW	1.49	FRAME	90L
V	Hz	A	r/min.	SF	IE CODE	η100%	η75%	η50%	
190/380	50	6.95/3.48	1432	1.00	IE3	85.3	85.9	84.4	
230/460	60	3.22/3.11	1748	1.15	IE3	86.5	86.2	83.3	

Code"	L	"at 60Hz	DE BRG	6205 ZZ	Weight	18 kg
			ODE BRG	6304 ZZ		