

DATA SHEET

Premium Efficiency Motor: **IEC20-18-160-FF,**

60 Hz

WorldWide Electric Corporation

1 (800) 808-2131

Worldwideelectric.net



Document Generated: 17-Jul-2023

Document ID:

Customer:

MOTOR INFORMATION

HP	20
RPM	1800
Phase	3
Frequency	60
Voltage	230/460
Frame Size	160L
Enclosure	TEFC
Degree of Protection	IP55
Service Factor	1.15
Poles	4
Full Load Speed	1775
Insulation Class	F
Temp Rise	80°C
NEMA Code Letter	K
Duty Cycle	S1
Slip	1.37%
IEC Design	N
Moment of Inertia	2.342 lb.ft.^2
Locked Rotor Time (Hot)	12 seconds
Sound Pressure Level	94 dB(A)
Number of Starts	2 Hot / 3 Cold
Max Ambient Temperature	40° C
Max Elevation	1000 m.a.s.l (3300 f.a.s.l)
Mounting	B35 - FF Flange with Feet
Rotation	Bidirectional
Area of Classification	Safe
Inverter Rating	10:1 CT/20:1 VT
Standard	IEC 60034 and IEC 60072
Approvals	UL, CE

EFFICIENCY/POWER FACTOR

LOAD	EFF	P. F.
100%	93.0 %	0.83
75%	93.9 %	0.79
50%	93.2 %	0.69

TORQUE

FULL LOAD	LRT	BDT
80.58 lb.ft.	360 %	399 %

AMPERAGE INFORMATION

	230V	460V
Full Load Amps	48.16	24.08
Locked Rotor Amps	403.40	201.70
No Load Current	19.19	9.60

BEARING INFORMATION

DE Bearing	6309 ZZ
ODE Bearing	6309 ZZ
Grease Type	NS7

ADDITIONAL DATA

Multi-Mount	Yes
Shaft Material	AISI 1040/45
Connection Diagram	9 Lead Wye
Approximate Weight	109 kg

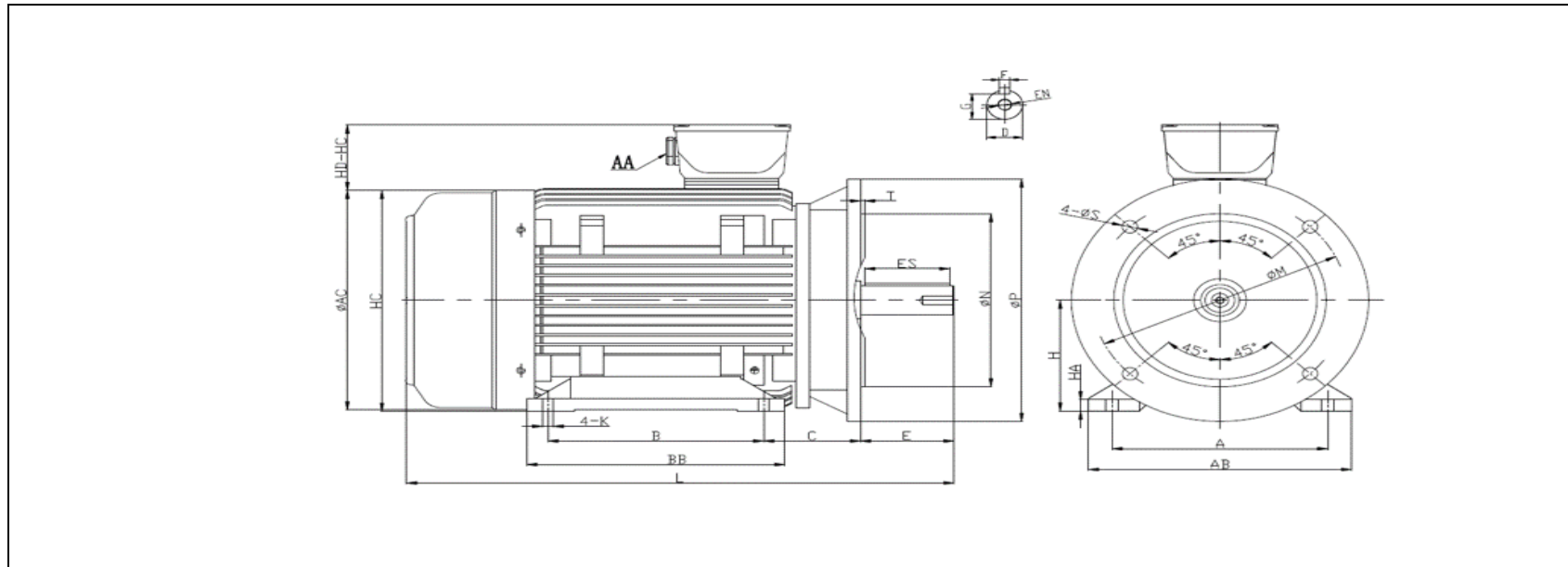
MOTOR DRAWING

Premium Efficiency Motor: **IEC20-18-160-FF**

WorldWide Electric Corporation

1 (800) 808-2131

Worldwideelectric.net



DIMENSION - METRIC (mm)

MOUNTING				AB	BB	L	H	HA	AC	HC
A	B	C	K							
254	254	108	14.5	310	304	640	160	18	310	319

SHAFT & KEY					
F	ES	G	E	D	EN
12	100	37	110	42	M16*32mm

TERMINAL BOX	
AA	HD-HC
M32	81

FLANGE				
N	P	T	M	S
250	350	5	300	4*18.5mm

PERFORMANCE CURVES

WorldWide Electric Corporation

1 (800) 808-2131

Worldwideelectric.net



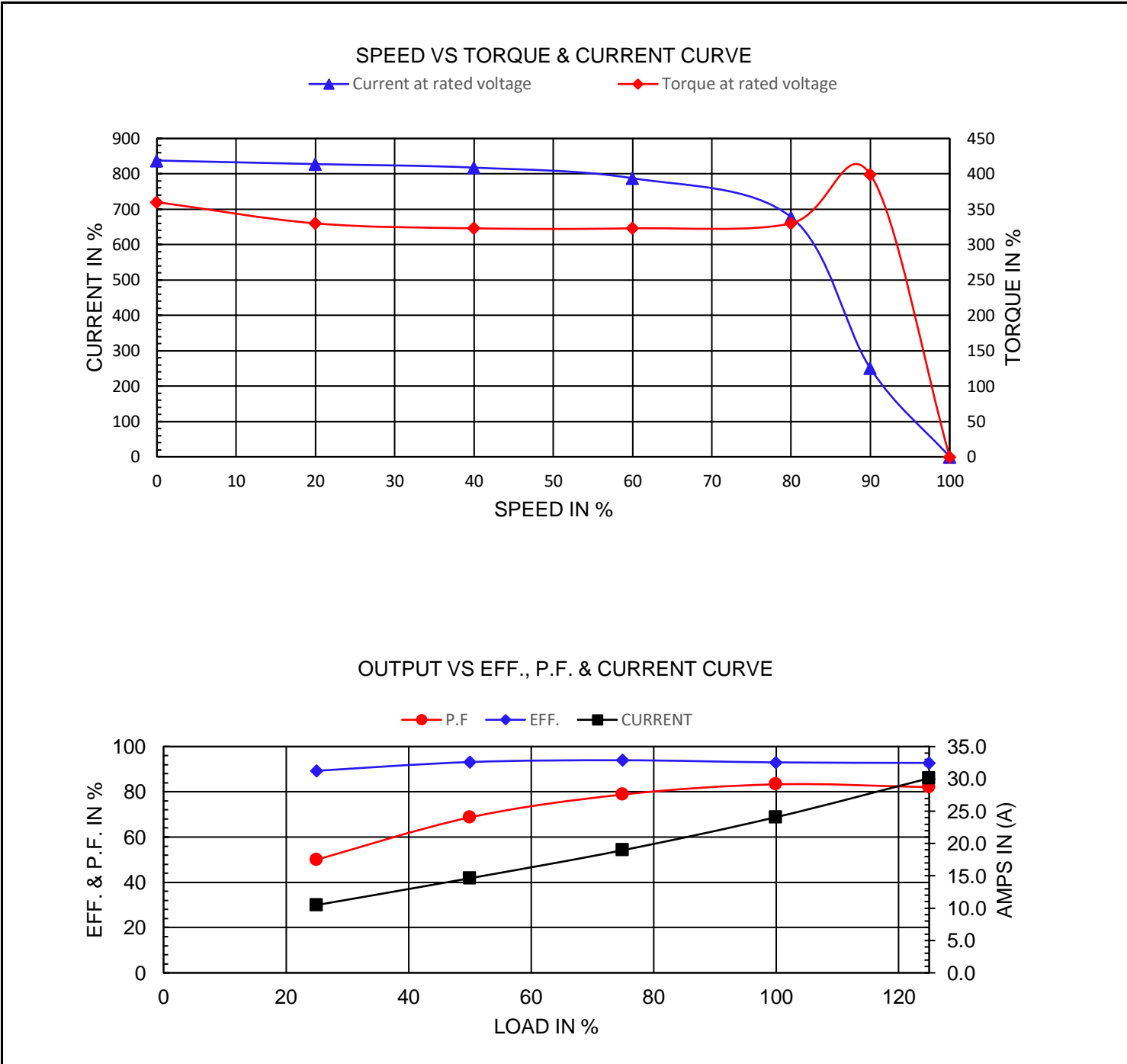
Premium Efficiency Motor:

IEC20-18-160-FF

Document Generated: 17-Jul-2023
Document ID:

Customer:

Motor Type					
Output Rating (HP)	20		FL Speed	1775	
Full Load Torque	80.580 lb.ft		LRT (%FLT)	360	460 volt FLA 24.08
Rotor Wk ²	2.342 lb-ft ²		BDT (%FLT)	399	230 volt FLA 48.16



NAMEPLATE / WIRING

Premium Efficiency Motor: **IEC20-18-160-FF**

WorldWide Electric Corporation

1 (800) 808-2131

Worldwideelectric.net



Document Generated: 17-Jul-2023
Document ID:

Customer:

SAMPLE NAMEPLATE DATA

		3-PHASE INDUCTION MOTOR						IE3 CE			
		CC306B						IEC 60034-1			
TYPE		OUTPUT		HP	kW	INS.F	FR.	IP55	AMB.40°C		
V	Hz	A	r/min	SF	IE CODE	η 100%	η 75%	η 50%			
4	5	6	4	5	6	Code " " at 60Hz		Duty		S1	
7	8	9	7	8	9	DES	N	DE BRG			
1	2	3	1	2	3	IC	411	ODE BRG			
2Y		Y		SN.		Date	Weight	kg			
		WorldWide Electric Corporation									

TYPE	IEC20-18-160-FF		OUTPUT	HP	20	kW	14.91	FRAME	160L
V	Hz	A	r/min.	SF	IE CODE	η100%	η75%	η50%	
190/380	50	57.18/28.59	1468	1.00	IE3	92.1	93.7	93.6	
230/460	60	48.16/24.08	1775	1.15	IE3	93.0	93.9	93.2	

Code"	K	"at 60Hz	DE BRG	6309 ZZ	Weight	109 kg
			ODE BRG	6309 ZZ		