

DATA SHEET

Premium Efficiency Motor: **IEC25-36-160-FF,**

60 Hz

WorldWide Electric Corporation

1 (800) 808-2131

Worldwideelectric.net



Document Generated: 17-Jul-2023
Document ID:

Customer:

MOTOR INFORMATION	
HP	25
RPM	3600
Phase	3
Frequency	60
Voltage	230/460
Frame Size	160L
Enclosure	TEFC
Degree of Protection	IP55
Service Factor	1.15
Poles	2
Full Load Speed	3557
Insulation Class	F
Temp Rise	80°C
NEMA Code Letter	K
Duty Cycle	S1
Slip	1.19%
IEC Design	N
Moment of Inertia	1.656 lb.ft.^2
Locked Rotor Time (Hot)	12 seconds
Sound Pressure Level	94 dB(A)
Number of Starts	2 Hot / 3 Cold
Max Ambient Temperature	40° C
Max Elevation	1000 m.a.s.l (3300 f.a.s.l)
Mounting	B35 - FF Flange with Feet
Rotation	Bidirectional
Area of Classification	Safe
Inverter Rating	10:1 CT/20:1 VT
Standard	IEC 60034 and IEC 60072
Approvals	UL, CE

EFFICIENCY/POWER FACTOR		
LOAD	EFF	P. F.
100%	91.7 %	0.89
75%	93.7 %	0.86
50%	93.0 %	0.78

TORQUE		
FULL LOAD	LRT	BDT
49.59 lb.ft.	483 %	673 %

AMPERAGE INFORMATION		
	230V	460V
Full Load Amps	55.82	27.91
Locked Rotor Amps	529.40	264.70
No Load Current	17.45	8.72

BEARING INFORMATION	
DE Bearing	6309 ZZ
ODE Bearing	6309 ZZ
Grease Type	NS7

ADDITIONAL DATA	
Multi-Mount	Yes
Shaft Material	AISI 1040/45
Connection Diagram	9 Lead Wye
Approximate Weight	113 kg

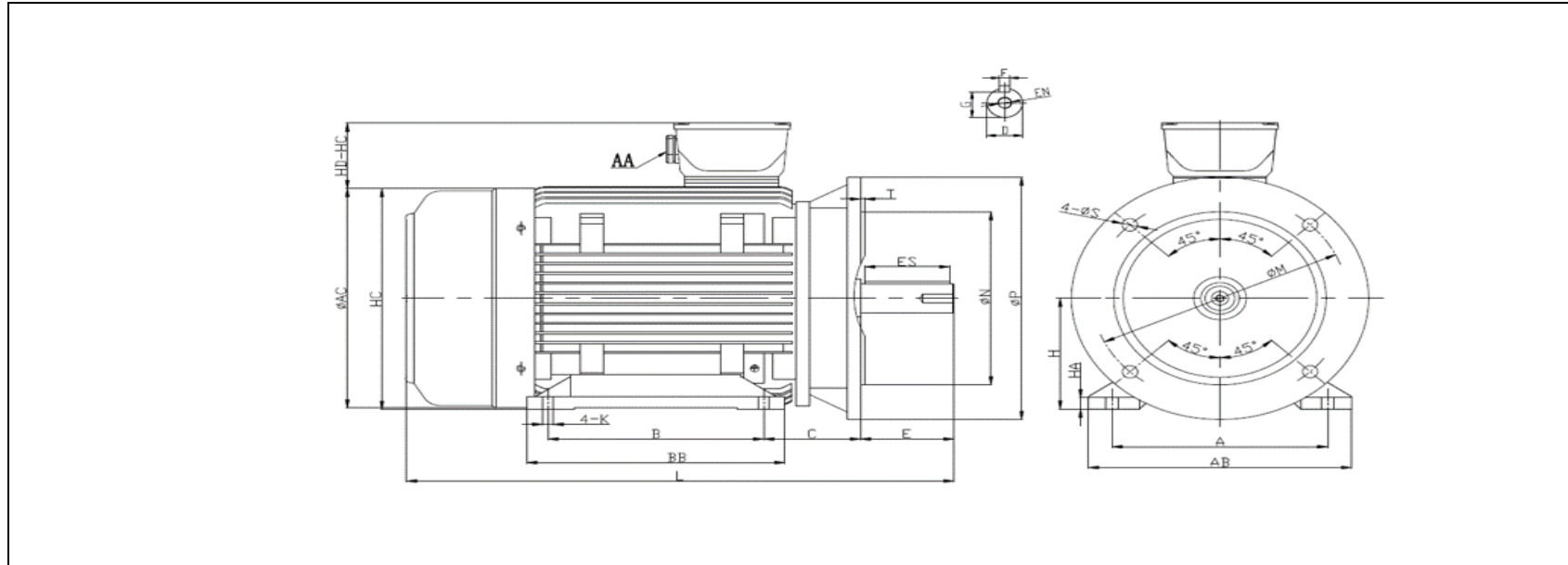
MOTOR DRAWING

Premium Efficiency Motor: **IEC25-36-160-FF**

WorldWide Electric Corporation

1 (800) 808-2131

Worldwideelectric.net



DIMENSION - METRIC (mm)

MOUNTING				AB	BB	L	H	HA	AC	HC
A	B	C	K							
254	254	108	14.5	310	304	640	160	18	310	319

SHAFT & KEY					
F	ES	G	E	D	EN
12	100	37	110	42	M16*32mm

TERMINAL BOX	
AA	HD-HC
M32	81

FLANGE				
N	P	T	M	S
250	350	5	300	4*18.5mm

PERFORMANCE CURVES

WorldWide Electric Corporation

1 (800) 808-2131

Worldwideelectric.net



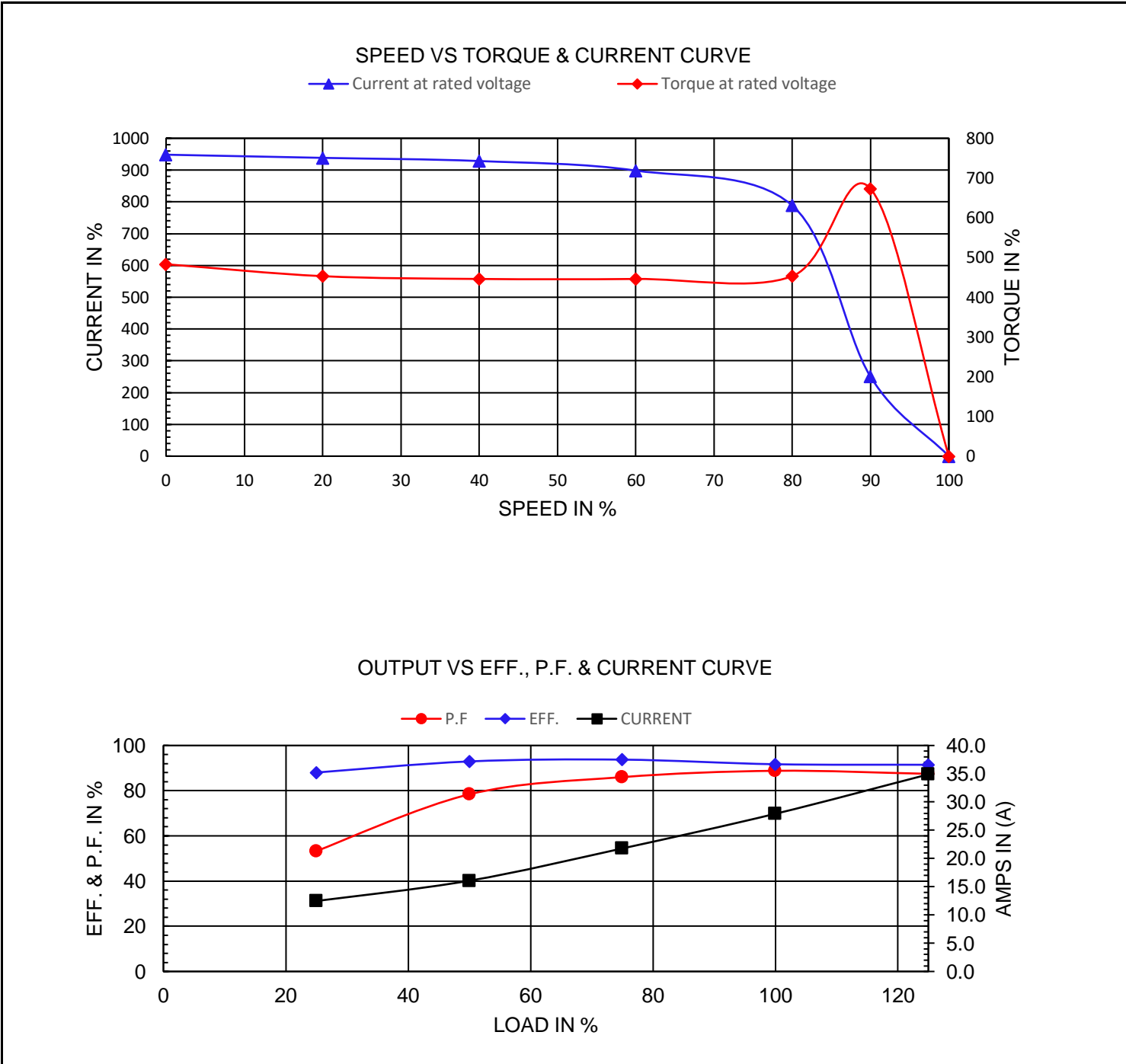
Premium Efficiency Motor:

IEC25-36-160-FF

Document Generated: 17-Jul-2023
Document ID:

Customer:

Motor Type					
Output Rating (HP)	25		FL Speed	3557	
Full Load Torque	49.590 lb.ft		LRT (%FLT)	483	460 volt FLA 27.91
Rotor Wk^2	1.656 lb-ft^2		BDT (%FLT)	673	230 volt FLA 55.82



NAMEPLATE / WIRING

Premium Efficiency Motor: **IEC25-36-160-FF**

WorldWide Electric Corporation

1 (800) 808-2131

Worldwideelectric.net



Document Generated: 17-Jul-2023
Document ID:

Customer:

SAMPLE NAMEPLATE DATA

		3-PHASE INDUCTION MOTOR						IE3 CE			
						<small>CC306B</small>		<small>IEC 60034-1</small>			
TYPE		OUTPUT		HP	kW	INS.F	FR.	IP55	AMB.40°C		
V	Hz	A	r/min	SF	IE CODE	η 100%	η 75%	η 50%			
				Code " " at 60Hz			Duty	S1			
				DES	N	DE BRG					
				IC	411	ODE BRG					
				SN.		Date	Weight	kg			
		WorldWide Electric Corporation									

TYPE	IEC25-36-160-FF		OUTPUT	HP	25	kW	18.64	FRAME	160L
V	Hz	A	r/min.	SF	IE CODE	η100%	η75%	η50%	
190/380	50	67.28/33.64	2944	1.00	IE3	92.4	93.4	93.6	
230/460	60	55.82/27.91	3557	1.15	IE3	91.7	93.7	93.0	

Code"	K	"at 60Hz	DE BRG	6309 ZZ	Weight	113 kg
			ODE BRG	6309 ZZ		