

DATA SHEET

Premium Efficiency Motor: **IEC3-12-112-FF,**

60 Hz

WorldWide Electric Corporation

1 (800) 808-2131

Worldwideelectric.net



Document Generated: 17-Jul-2023
Document ID:

Customer:

MOTOR INFORMATION	
HP	3
RPM	1200
Phase	3
Frequency	60
Voltage	230/460
Frame Size	112M
Enclosure	TEFC
Degree of Protection	IP55
Service Factor	1.15
Poles	6
Full Load Speed	1177
Insulation Class	F
Temp Rise	80°C
NEMA Code Letter	J
Duty Cycle	S1
Slip	1.92%
IEC Design	N
Moment of Inertia	0.5161 lb.ft.^2
Locked Rotor Time (Hot)	12 seconds
Sound Pressure Level	88 dB(A)
Number of Starts	2 Hot / 3 Cold
Max Ambient Temperature	40° C
Max Elevation	1000 m.a.s.l (3300 f.a.s.l)
Mounting	B35 - FF Flange with Feet
Rotation	Bidirectional
Area of Classification	Safe
Inverter Rating	10:1 CT/20:1 VT
Standard	IEC 60034 and IEC 60072
Approvals	UL, CE

EFFICIENCY/POWER FACTOR		
LOAD	EFF	P. F.
100%	89.5 %	0.64
75%	89.3 %	0.55
50%	87.5 %	0.42

TORQUE		
FULL LOAD	LRT	BDT
13.2 lb.ft.	242 %	329 %

AMPERAGE INFORMATION		
	230V	460V
Full Load Amps	9.68	4.84
Locked Rotor Amps	59.80	29.90
No Load Current	6.64	3.32

BEARING INFORMATION	
DE Bearing	6306 ZZ
ODE Bearing	6305 ZZ
Grease Type	NS7

ADDITIONAL DATA	
Multi-Mount	Yes
Shaft Material	AISI 1040/45
Connection Diagram	9 Lead Wye
Approximate Weight	TBD kg

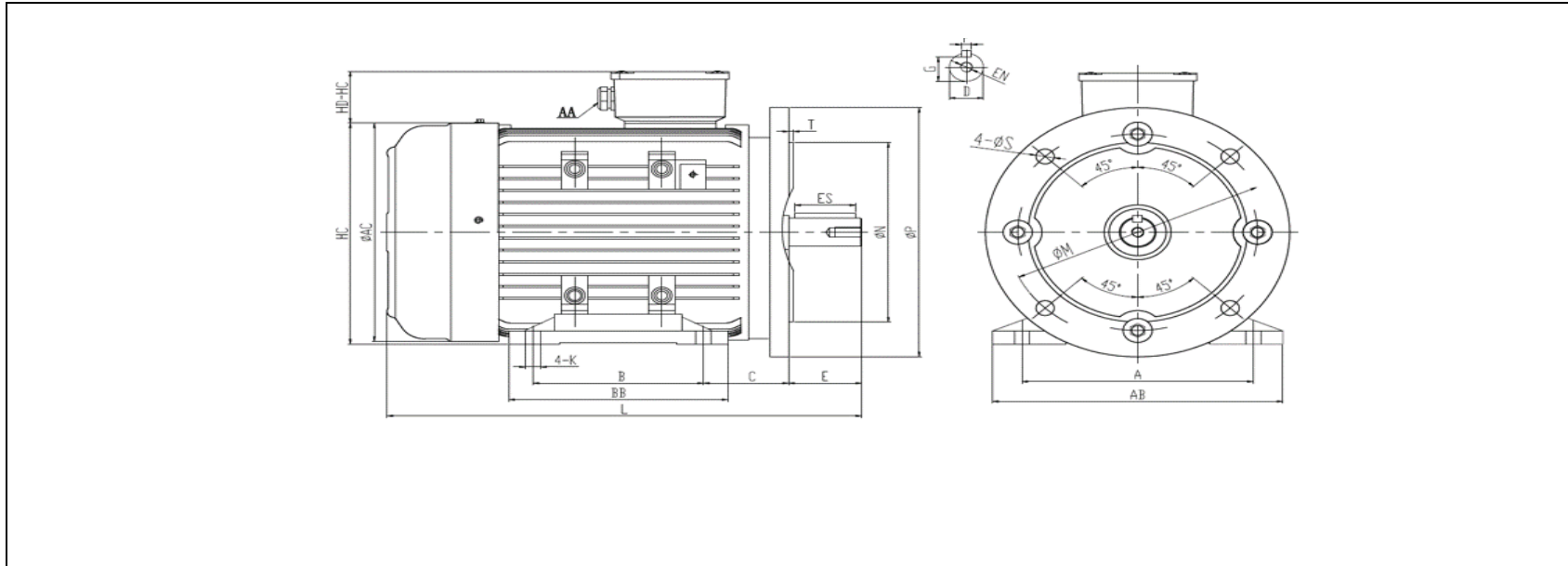
MOTOR DRAWING

Premium Efficiency Motor: **IEC3-12-112-FF**

WorldWide Electric Corporation

1 (800) 808-2131

Worldwideelectric.net



DIMENSION - METRIC (mm)

MOUNTING				AB	BB	L	H	HA	AC	HC
A	B	C	K							
190	140	70	12	235	180	385	112	13	219	221.5

SHAFT & KEY					
F	ES	G	E	D	EN
8	50	24	60	28	M10*20mm

TERMINAL BOX	
AA	HD-HC
M20	52

FLANGE				
N	P	T	M	S
180	250	4	215	4*14.5mm

PERFORMANCE CURVES

Premium Efficiency Motor:

IEC3-12-112-FF

WorldWide Electric Corporation

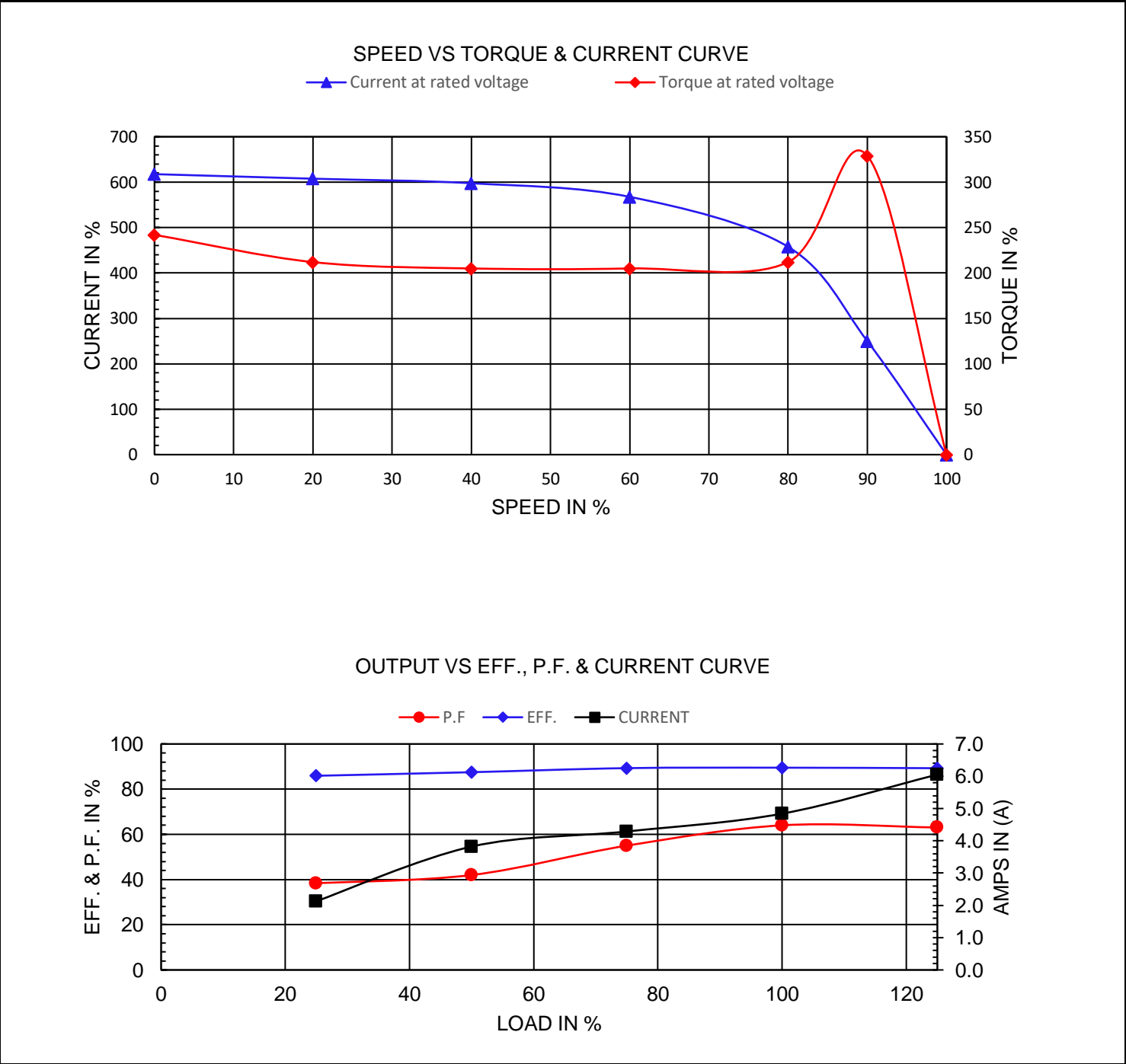
1 (800) 808-2131

Worldwideelectric.net



Document Generated: 17-Jul-2023	Customer:
Document ID:	

Motor Type		FL Speed	1177		
Output Rating (HP)	3	LRT (%FLT)	242	460 volt FLA	4.84
Full Load Torque	13.200 lb.ft	BDT (%FLT)	329	230 volt FLA	9.68
Rotor Wk^2	0.5161 lb-ft^2				



NAMEPLATE / WIRING

Premium Efficiency Motor: **IEC3-12-112-FF**

WorldWide Electric Corporation

1 (800) 808-2131

Worldwideelectric.net



Document Generated: 17-Jul-2023
Document ID:

Customer:

SAMPLE NAMEPLATE DATA

		3-PHASE INDUCTION MOTOR						IE3 CE			
						<small>ENERGY EFFICIENT C US E309286</small>		<small>IEC 60034-1</small>			
TYPE		OUTPUT		HP	kW	INS.F	FR.	IP55	AMB.40°C		
V	Hz	A	r/min	SF	IE CODE	η 100%	η 75%	η 50%			
				Code " " at 60Hz		Duty		S1			
				DES	N	DE BRG					
				IC	411	ODE BRG					
				SN.		Date	Weight	kg			

TYPE	IEC3-12-112-FF		OUTPUT	HP	3	kW	2.24	FRAME	112M
V	Hz	A	r/min.	SF	IE CODE	η100%	η75%	η50%	
190/380	50	10.89/5.45	969	1.00	IE3	84.3	88.5	87.8	
230/460	60	9.68/4.84	1177	1.15	IE3	89.5	89.3	87.5	

Code"	J	"at 60Hz	DE BRG	6306 ZZ	Weight	TBD kg
			ODE BRG	6305 ZZ		