

# DATA SHEET

Premium Efficiency Motor: **IEC34-18-80,**

**60 Hz**

WorldWide Electric Corporation

1 (800) 808-2131

Worldwideelectric.net



Document Generated: 14-Jul-2023  
Document ID:

Customer:

| MOTOR INFORMATION       |                             |
|-------------------------|-----------------------------|
| HP                      | 3/4                         |
| RPM                     | 1800                        |
| Phase                   | 3                           |
| Frequency               | 60                          |
| Voltage                 | 230/460                     |
| Frame Size              | 80                          |
| Enclosure               | TEFC                        |
| Degree of Protection    | IP55                        |
| Service Factor          | 1.15                        |
| Poles                   | 4                           |
| Full Load Speed         | 1743                        |
| Insulation Class        | F                           |
| Temp Rise               | 80°C                        |
| NEMA Code Letter        | M                           |
| Duty Cycle              | S1                          |
| Slip                    | 3.17%                       |
| IEC Design              | N                           |
| Moment of Inertia       | 0.0393 lb.ft.^2             |
| Locked Rotor Time (Hot) | 12 seconds                  |
| Sound Pressure Level    | 67 dB(A)                    |
| Number of Starts        | 2 Hot / 3 Cold              |
| Max Ambient Temperature | 40° C                       |
| Max Elevation           | 1000 m.a.s.l (3300 f.a.s.l) |
| Mounting                | F3                          |
| Rotation                | Bidirectional               |
| Area of Classification  | Safe                        |
| Inverter Rating         | 10:1 CT/20:1 VT             |
| Standard                | IEC 60034 and IEC 60072     |
| Approvals               | UL, CE                      |

| EFFICIENCY/POWER FACTOR |        |       |
|-------------------------|--------|-------|
| LOAD                    | EFF    | P. F. |
| 100%                    | 81.1 % | 0.68  |
| 75%                     | 82.3 % | 0.58  |
| 50%                     | 78.6 % | 0.45  |

| TORQUE      |       |       |
|-------------|-------|-------|
| FULL LOAD   | LRT   | BDT   |
| 3.02 lb.ft. | 429 % | 472 % |

| AMPERAGE INFORMATION |       |      |
|----------------------|-------|------|
|                      | 230V  | 460V |
| Full Load Amps       | 2.45  | 1.23 |
| Locked Rotor Amps    | 19.47 | 9.73 |
| No Load Current      | 1.75  | 0.88 |

| BEARING INFORMATION |         |
|---------------------|---------|
| DE Bearing          | 6204 ZZ |
| ODE Bearing         | 6303 ZZ |
| Grease Type         | NS7     |

| ADDITIONAL DATA    |              |
|--------------------|--------------|
| Multi-Mount        | Yes          |
| Shaft Material     | AISI 1040/45 |
| Connection Diagram | 9 Lead Wye   |
| Approximate Weight | 10.3 kg      |

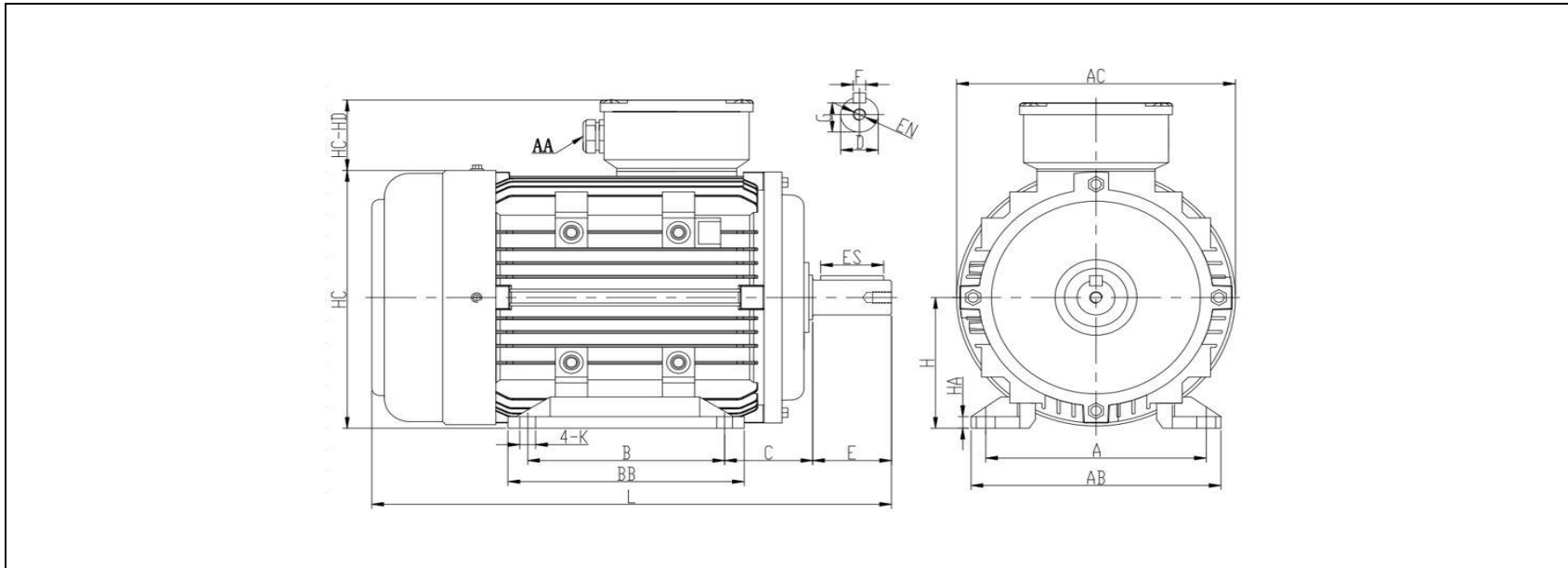
# MOTOR DRAWING

Premium Efficiency Motor: **IEC34-18-80**

WorldWide Electric Corporation

1 (800) 808-2131

Worldwideelectric.net



## DIMENSION - METRIC (mm)

| MOUNTING |     |    |     |     | L   | H  | HA | AC  | HC  | K  |
|----------|-----|----|-----|-----|-----|----|----|-----|-----|----|
| A        | B   | C  | AB  | BB  |     |    |    |     |     |    |
| 125      | 100 | 50 | 157 | 125 | 276 | 80 | 9  | 156 | 158 | 10 |

| SHAFT & KEY |    |      |    |    |         |
|-------------|----|------|----|----|---------|
| F           | ES | G    | E  | D  | EN      |
| 6           | 28 | 15.5 | 40 | 19 | M6*20mm |

| TERMINAL BOX |       |
|--------------|-------|
| AA           | HD-HC |
| M20          | 47    |

# PERFORMANCE CURVES

Premium Efficiency Motor:

**IEC34-18-80**

WorldWide Electric Corporation

1 (800) 808-2131

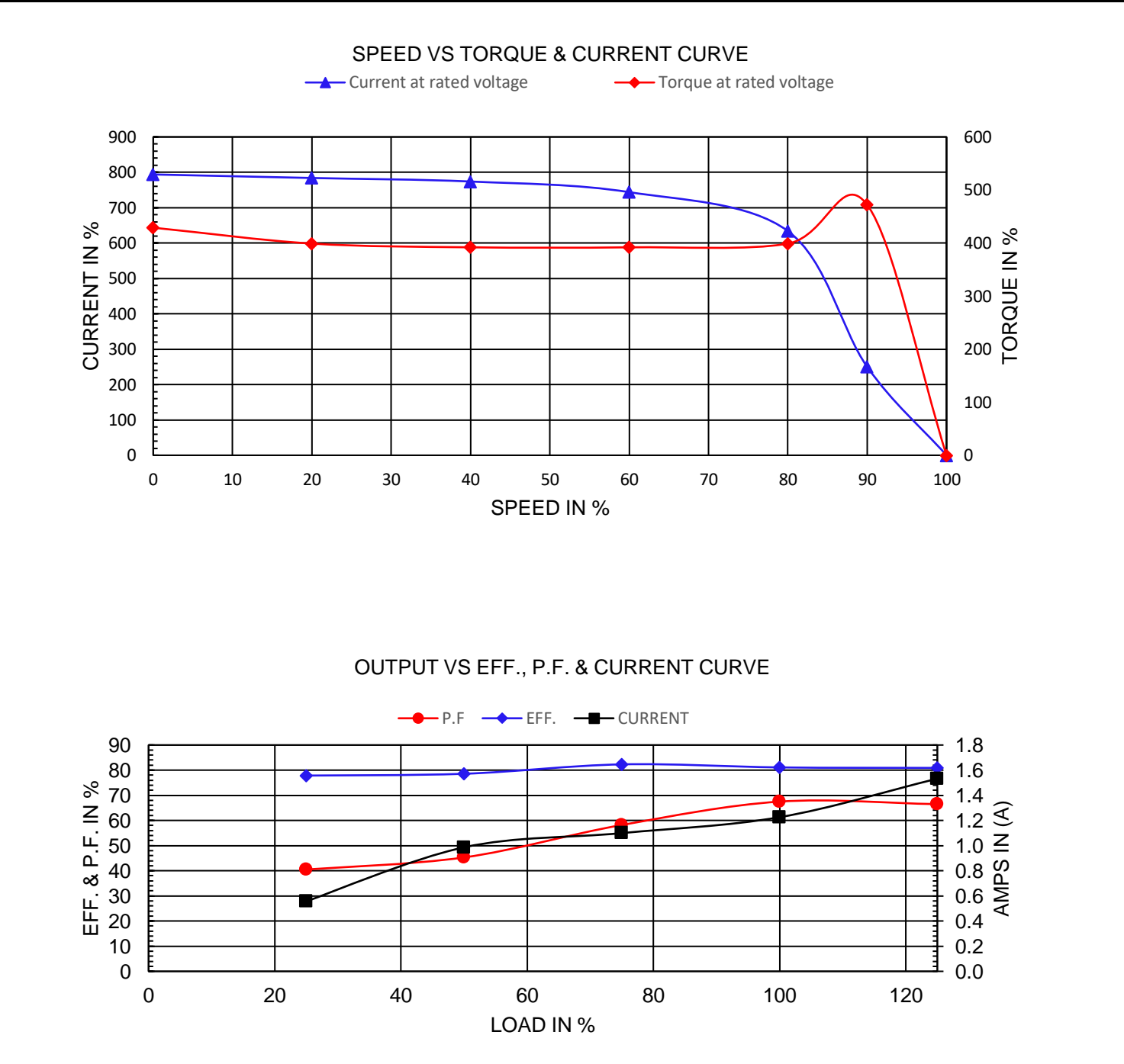
Worldwideelectric.net



Document Generated: 14-Jul-2023  
Document ID:

Customer:

|                    |                |  |            |      |                   |
|--------------------|----------------|--|------------|------|-------------------|
| Motor Type         |                |  |            |      |                   |
| Output Rating (HP) | 3/4            |  | FL Speed   | 1743 |                   |
| Full Load Torque   | 3.020 lb.ft    |  | LRT (%FLT) | 429  | 460 volt FLA 1.23 |
| Rotor Wk^2         | 0.0393 lb-ft^2 |  | BDT (%FLT) | 472  | 230 volt FLA 2.45 |



# NAMEPLATE / WIRING

Premium Efficiency Motor: **IEC34-18-80**

WorldWide Electric Corporation

1 (800) 808-2131

Worldwideelectric.net



Document Generated: 14-Jul-2023  
Document ID:

Customer:

## SAMPLE NAMEPLATE DATA

|      |    |                                    |       |                  |         |  |        |                            |          |  |  |
|------|----|------------------------------------|-------|------------------|---------|--|--------|----------------------------|----------|--|--|
|      |    | <b>3-PHASE<br/>INDUCTION MOTOR</b> |       |                  |         |  |        | <b>IE3 CE</b>              |          |  |  |
|      |    |                                    |       |                  |         | <small>ENERGY<br/>C US<br/>E309286</small> |        | <small>IEC 60034-1</small> |          |  |  |
| TYPE |    | OUTPUT                             |       | HP               | kW      | INS.F                                      | FR.    | IP55                       | AMB.40°C |  |  |
| V    | Hz | A                                  | r/min | SF               | IE CODE | η 100%                                     | η 75%  | η 50%                      |          |  |  |
|      |    |                                    |       |                  |         |  |        |                            |          |  |  |
|      |    |                                    |       | Code " " at 60Hz |         |  | Duty   | S1                         |          |  |  |
|      |    |                                    |       | DES              | N       | DE BRG                                     |        |                            |          |  |  |
|      |    |                                    |       | IC               | 411     | ODE BRG                                    |        |                            |          |  |  |
|      |    |                                    |       | SN.              |         | Date                                       | Weight | kg                         |          |  |  |
|      |    |                                    |       |                  |         |  |        |                            |          |  |  |

|         |             |           |        |      |         |       |      |       |    |
|---------|-------------|-----------|--------|------|---------|-------|------|-------|----|
| TYPE    | IEC34-18-80 |           | OUTPUT | HP   | 3/4     | kW    | 0.56 | FRAME | 80 |
| V       | Hz          | A         | r/min. | SF   | IE CODE | η100% | η75% | η50%  |    |
| 190/380 | 50          | 2.73/1.37 | 1425   | 1.00 | IE3     | 80.8  | 82.4 | 80.2  |    |
| 230/460 | 60          | 2.45/1.49 | 1743   | 1.15 | IE3     | 81.1  | 82.3 | 78.6  |    |

|       |   |          |         |         |        |         |
|-------|---|----------|---------|---------|--------|---------|
| Code" | M | "at 60Hz | DE BRG  | 6204 ZZ | Weight | 10.3 kg |
|       |   |          | ODE BRG | 6303 ZZ |        |         |