

DATA SHEET

Premium Efficiency Motor: **IEC34-36-80-C,**

60 Hz

WorldWide Electric Corporation

1 (800) 808-2131

Worldwideelectric.net



Document Generated: 17-Jul-2023
Document ID:

Customer:

| MOTOR INFORMATION | |
|-------------------------|------------------------------|
| HP | 3/4 |
| RPM | 3600 |
| Phase | 3 |
| Frequency | 60 |
| Voltage | 230/460 |
| Frame Size | 80 |
| Enclosure | TEFC |
| Degree of Protection | IP55 |
| Service Factor | 1.15 |
| Poles | 2 |
| Full Load Speed | 3469 |
| Insulation Class | F |
| Temp Rise | 80°C |
| NEMA Code Letter | M |
| Duty Cycle | S1 |
| Slip | 3.65% |
| IEC Design | N |
| Moment of Inertia | 0.0154 lb.ft.^2 |
| Locked Rotor Time (Hot) | 12 seconds |
| Sound Pressure Level | 72 dB(A) |
| Number of Starts | 2 Hot / 3 Cold |
| Max Ambient Temperature | 40° C |
| Max Elevation | 1000 m.a.s.l (3300 f.a.s.l) |
| Mounting | B34 - C-Din Flange with Feet |
| Rotation | Bidirectional |
| Area of Classification | Safe |
| Inverter Rating | 10:1 CT/20:1 VT |
| Standard | IEC 60034 and IEC 60072 |
| Approvals | UL, CE |

| EFFICIENCY/POWER FACTOR | | |
|-------------------------|--------|-------|
| LOAD | EFF | P. F. |
| 100% | 76.8 % | 0.77 |
| 75% | 78.8 % | 0.69 |
| 50% | 74.0 % | 0.57 |

| TORQUE | | |
|--------------|-------|-------|
| FULL LOAD | LRT | BDT |
| 1.518 lb.ft. | 528 % | 601 % |

| AMPERAGE INFORMATION | | |
|----------------------|-------|-------|
| | 230V | 460V |
| Full Load Amps | 2.21 | 1.11 |
| Locked Rotor Amps | 20.06 | 10.03 |
| No Load Current | 1.36 | 0.68 |

| BEARING INFORMATION | |
|---------------------|---------|
| DE Bearing | 6204 ZZ |
| ODE Bearing | 6303 ZZ |
| Grease Type | NS7 |

| ADDITIONAL DATA | |
|--------------------|--------------|
| Multi-Mount | Yes |
| Shaft Material | AISI 1040/45 |
| Connection Diagram | 9 Lead Wye |
| Approximate Weight | TBD kg |

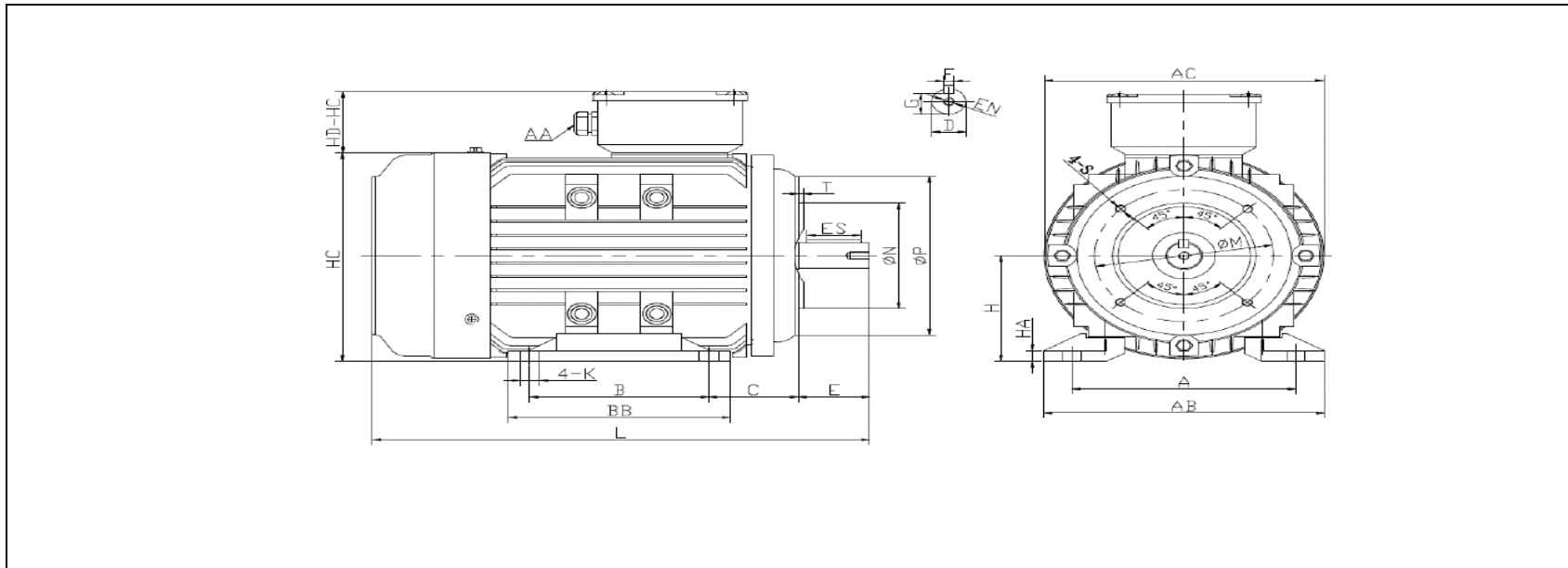
MOTOR DRAWING

Premium Efficiency Motor: **IEC34-36-80-C**

WorldWide Electric Corporation

1 (800) 808-2131

Worldwideelectric.net



DIMENSION - METRIC (mm)

| MOUNTING | | | | AB | BB | L | H | HA | AC | HC |
|----------|-----|----|----|-----|-----|-----|----|----|-----|-----|
| A | B | C | K | | | | | | | |
| 125 | 100 | 50 | 10 | 157 | 125 | 276 | 80 | 9 | 156 | 158 |

| SHAFT & KEY | | | | | |
|-------------|----|------|----|----|---------|
| F | ES | G | E | D | EN |
| 6 | 30 | 15.5 | 40 | 19 | M6*20mm |

| TERMINAL BOX | |
|--------------|-------|
| AA | HD-HC |
| M20 | 47 |

| FLANGE | | | | |
|--------|-----|---|-----|------|
| N | P | T | M | S |
| 80 | 120 | 3 | 100 | 4*M6 |

PERFORMANCE CURVES

Premium Efficiency Motor:

IEC34-36-80-C

WorldWide Electric Corporation

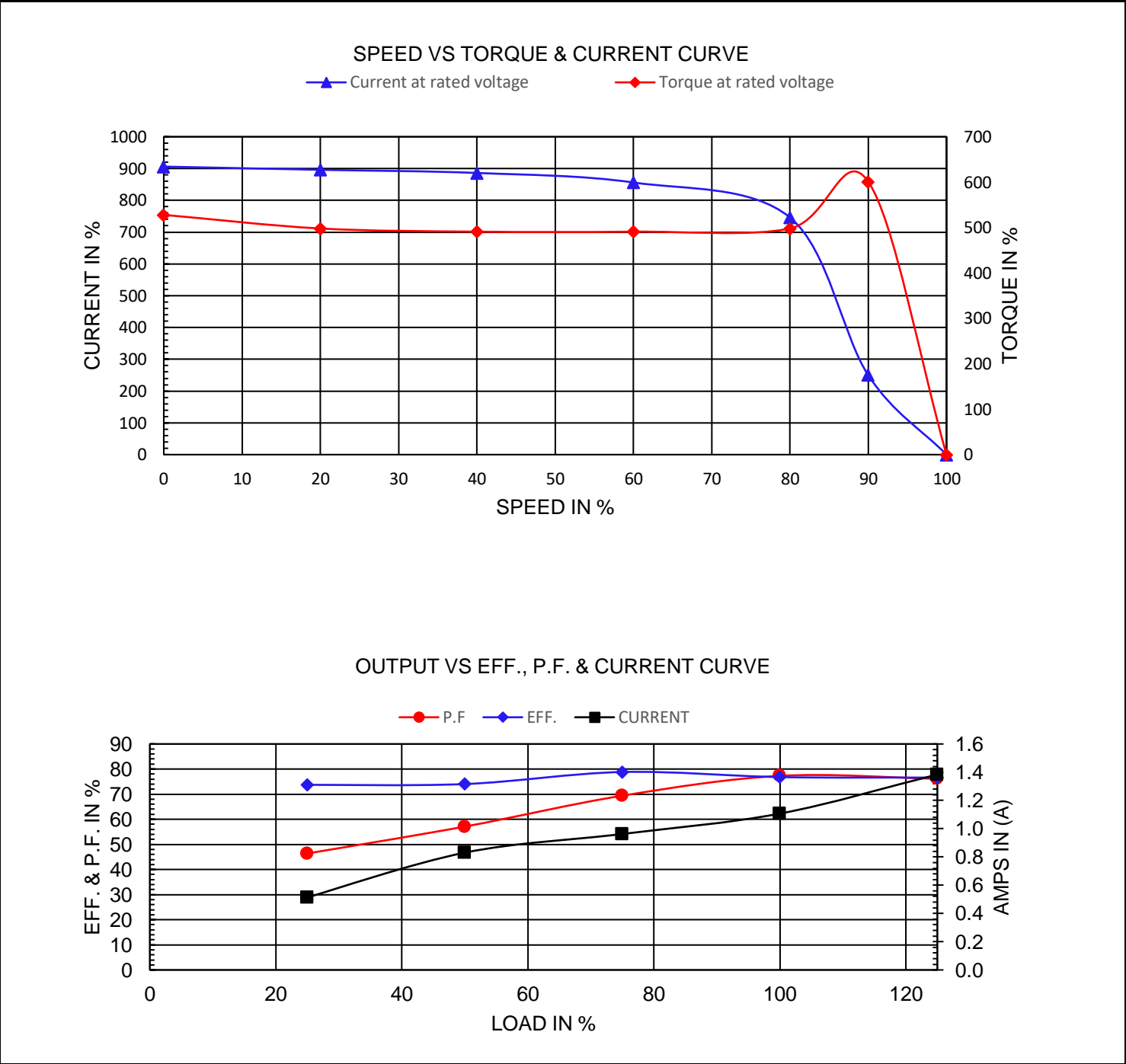
1 (800) 808-2131

Worldwideelectric.net



| | |
|---------------------------------|-----------|
| Document Generated: 17-Jul-2023 | Customer: |
| Document ID: | |

| | | | | | |
|-----------------------|---------------------------|------------|------|--------------|------|
| Motor Type | | | | | |
| Output Rating (HP) | 3/4 | FL Speed | 3469 | | |
| Full Load Torque | 1.518 lb.ft | LRT (%FLT) | 528 | 460 volt FLA | 1.11 |
| Rotor Wk ² | 0.0154 lb-ft ² | BDT (%FLT) | 601 | 230 volt FLA | 2.21 |



NAMEPLATE / WIRING

Premium Efficiency Motor: **IEC34-36-80-C**

WorldWide Electric Corporation

1 (800) 808-2131

Worldwideelectric.net



Document Generated: 17-Jul-2023
Document ID:

Customer:

SAMPLE NAMEPLATE DATA

| | | | | | | | | | | | |
|------|----|---------------------------------------|-------|------------------|---------|-----------------------|-------|----------------------------|----------|--|--|
| | | 3-PHASE INDUCTION MOTOR | | | | | | IE3 CE | | | |
| | | | | | | <small>CC306B</small> | | <small>IEC 60034-1</small> | | | |
| TYPE | | OUTPUT | | HP | kW | INS.F | FR. | IP55 | AMB.40°C | | |
| V | Hz | A | r/min | SF | IE CODE | η 100% | η 75% | η 50% | | | |
| | | | | | | | | | | | |
| | | | | Code " " at 60Hz | | | Duty | S1 | | | |
| | | | | DES | N | DE BRG | | | | | |
| | | | | IC | 411 | ODE BRG | | | | | |
| | | | | SN. | | Date | | Weight | kg | | |
| | | WorldWide Electric Corporation | | | | | | | | | |

| | | | | | | | | | |
|---------|---------------|-----------|--------|------|---------|-------|------|-------|----|
| TYPE | IEC34-36-80-C | | OUTPUT | HP | 3/4 | kW | 0.56 | FRAME | 80 |
| V | Hz | A | r/min. | SF | IE CODE | η100% | η75% | η50% | |
| 190/380 | 50 | 2.50/1.25 | 2830 | 1.00 | IE3 | 77.8 | 80.9 | 78.2 | |
| 230/460 | 60 | 2.21/1.11 | 3469 | 1.15 | IE3 | 76.8 | 78.8 | 74.0 | |

| | | | | | | |
|-------|---|----------|---------|---------|--------|--------|
| Code" | M | "at 60Hz | DE BRG | 6204 ZZ | Weight | TBD kg |
| | | | ODE BRG | 6303 ZZ | | |