

DATA SHEET

Premium Efficiency Motor: **IEC5.5-12-132-C,**

60 Hz

WorldWide Electric Corporation

1 (800) 808-2131

Worldwideelectric.net



Document Generated: 17-Jul-2023
Document ID:

Customer:

MOTOR INFORMATION	
HP	5.5
RPM	1200
Phase	3
Frequency	60
Voltage	230/460
Frame Size	132M
Enclosure	TEFC
Degree of Protection	IP55
Service Factor	1.15
Poles	6
Full Load Speed	1170
Insulation Class	F
Temp Rise	80°C
NEMA Code Letter	K
Duty Cycle	S1
Slip	2.54%
IEC Design	N
Moment of Inertia	0.7766 lb.ft.^2
Locked Rotor Time (Hot)	12 seconds
Sound Pressure Level	88 dB(A)
Number of Starts	2 Hot / 3 Cold
Max Ambient Temperature	40° C
Max Elevation	1000 m.a.s.l (3300 f.a.s.l)
Mounting	B34 - C-Din Flange with Feet
Rotation	Bidirectional
Area of Classification	Safe
Inverter Rating	10:1 CT/20:1 VT
Standard	IEC 60034 and IEC 60072
Approvals	UL, CE

EFFICIENCY/POWER FACTOR		
LOAD	EFF	P. F.
100%	89.5 %	0.76
75%	90.3 %	0.68
50%	89.5 %	0.55

TORQUE		
FULL LOAD	LRT	BDT
24.18 lb.ft.	322 %	377 %

AMPERAGE INFORMATION		
	230V	460V
Full Load Amps	14.63	7.32
Locked Rotor Amps	115.94	57.97
No Load Current	8.57	4.29

BEARING INFORMATION	
DE Bearing	6308 ZZ
ODE Bearing	6306 ZZ
Grease Type	NS7

ADDITIONAL DATA	
Multi-Mount	Yes
Shaft Material	AISI 1040/45
Connection Diagram	9 Lead Wye
Approximate Weight	TBD kg

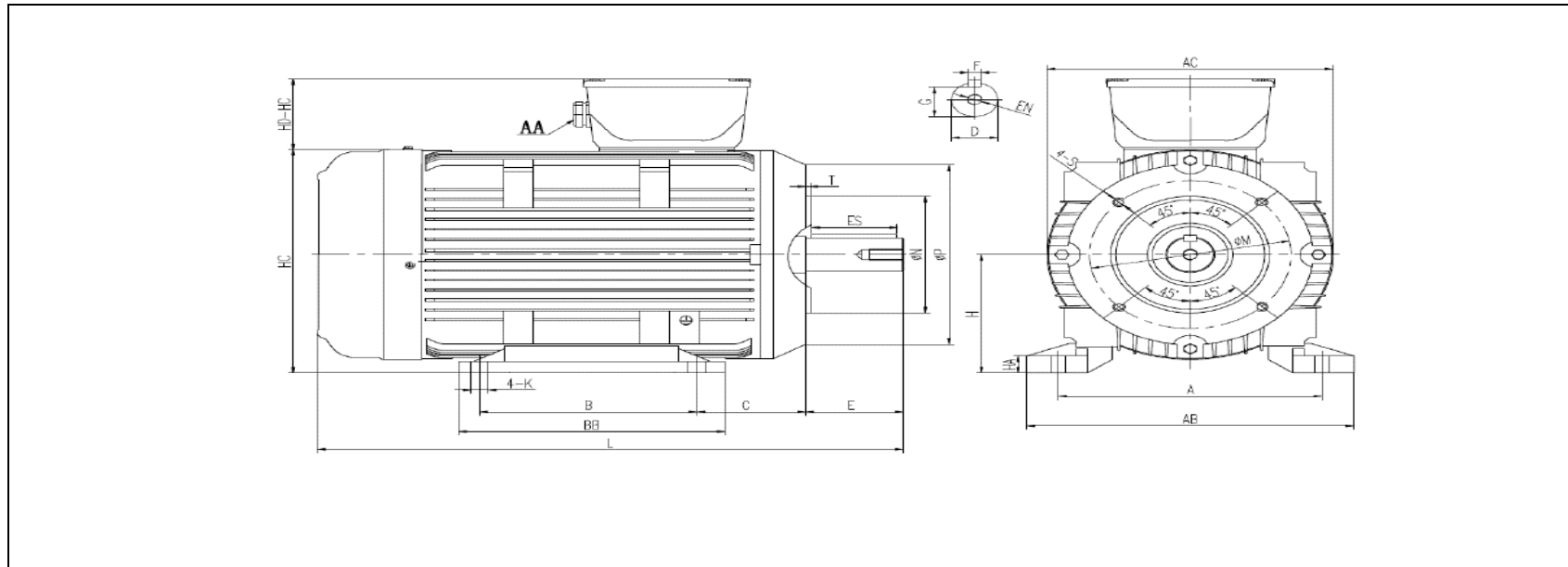
MOTOR DRAWING

Premium Efficiency Motor: IEC5.5-12-132-C

WorldWide Electric Corporation

1 (800) 808-2131

Worldwideelectric.net



DIMENSION - METRIC (mm)

MOUNTING				AB	BB	L	H	HA	AC	HC
A	B	C	K							
216	178	89	12	268	223	507	132	18.5	234	250

SHAFT & KEY					
F	ES	G	E	D	EN
10	70	33	80	38	M12*30mm

TERMINAL BOX	
AA	HD-HC
M32	80

FLANGE				
N	P	T	M	S
130	200	3	165	4*M10

PERFORMANCE CURVES

Premium Efficiency Motor:

IEC5.5-12-132-C

WorldWide Electric Corporation

1 (800) 808-2131

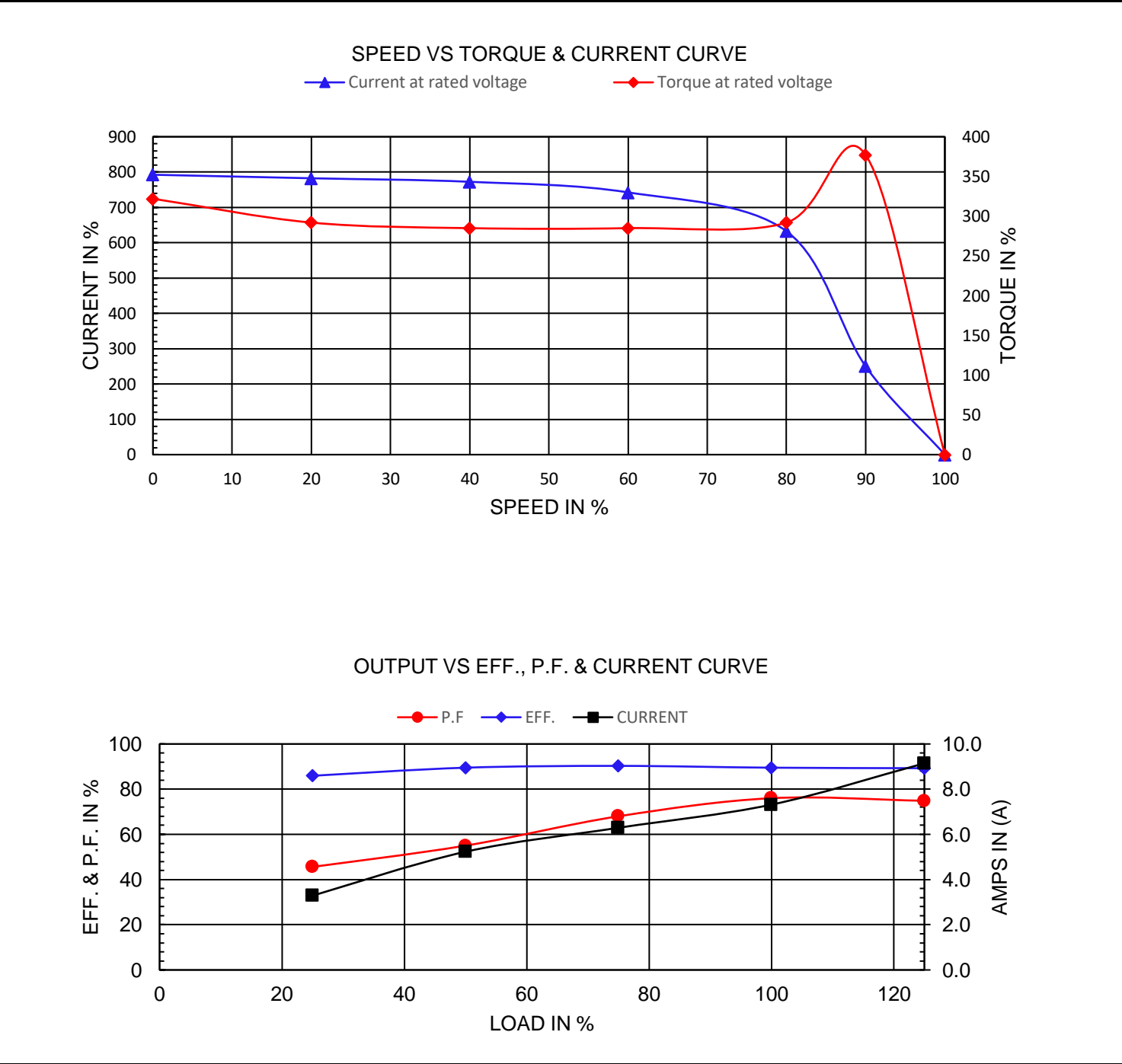
Worldwideelectric.net



Document Generated: 17-Jul-2023
Document ID:

Customer:

Motor Type					
Output Rating (HP)	5.5	FL Speed	1170		
Full Load Torque	24.180 lb.ft	LRT (%FLT)	322	460 volt FLA	7.32
Rotor Wk^2	0.7766 lb-ft^2	BDT (%FLT)	377	230 volt FLA	14.63



NAMEPLATE / WIRING

Premium Efficiency Motor: **IEC5.5-12-132-C**

WorldWide Electric Corporation

1 (800) 808-2131

Worldwideelectric.net



Document Generated: 17-Jul-2023
Document ID:

Customer:

SAMPLE NAMEPLATE DATA

		3-PHASE INDUCTION MOTOR						IE3 CE			
						<small>CC306B</small>		<small>IEC 60034-1</small>			
TYPE		OUTPUT		HP	kW	INS.F	FR.	IP55	AMB.40°C		
V	Hz	A	r/min	SF	IE CODE	η 100%	η 75%	η 50%			
				Code " " at 60Hz			Duty	S1			
				DES	N	DE BRG					
				IC	411	ODE BRG					
				SN.		Date		Weight	kg		
		WorldWide Electric Corporation									

TYPE	IEC5.5-12-132-C		OUTPUT	HP	5.5	kW	4.10	FRAME	132M
V	Hz	A	r/min.	SF	IE CODE	η100%	η75%	η50%	
190/380	50	17.04/8.52	958	1.00	IE3	86.8	88.7	89.1	
230/460	60	14.63/7.32	1170	1.15	IE3	89.5	90.3	89.5	

Code"	K	"at 60Hz	DE BRG	6308 ZZ	Weight	TBD kg
			ODE BRG	6306 ZZ		